

NORCOLD

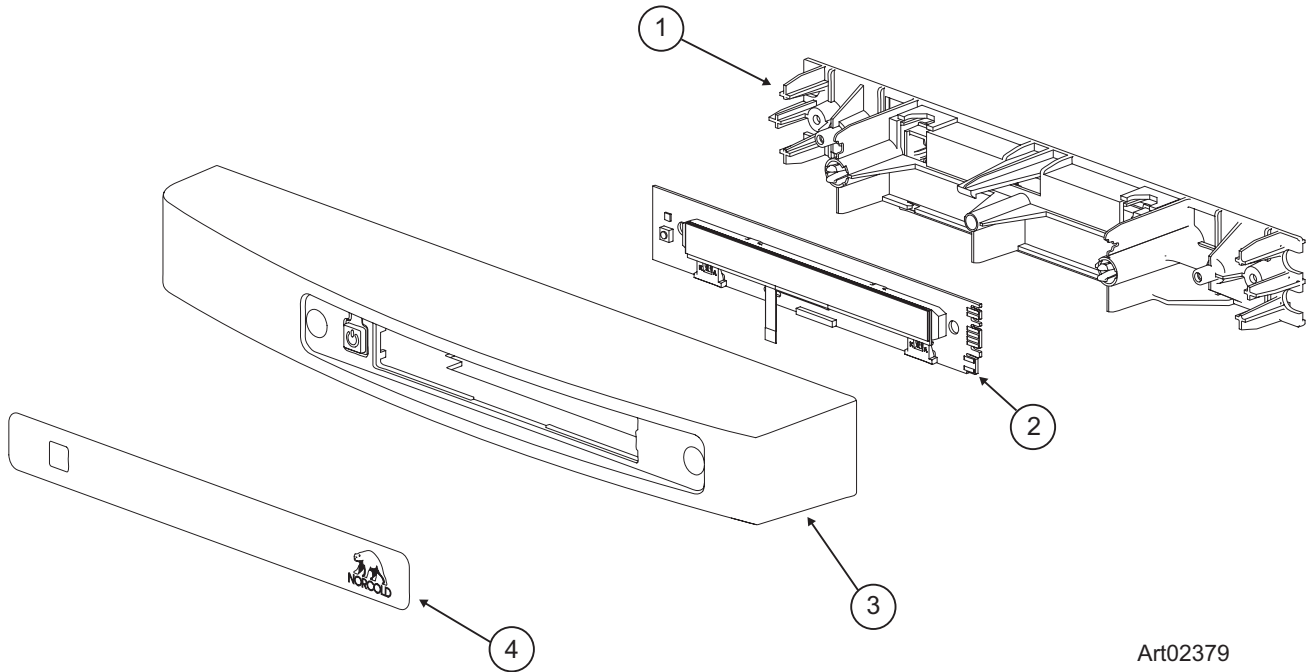


PARTS LIST

N3104
N3150
N3141

PART NO. 635992
NORCOLD 1/4/2022

CONTROL PANEL - N3104 / N3150 MODELS



Art02379

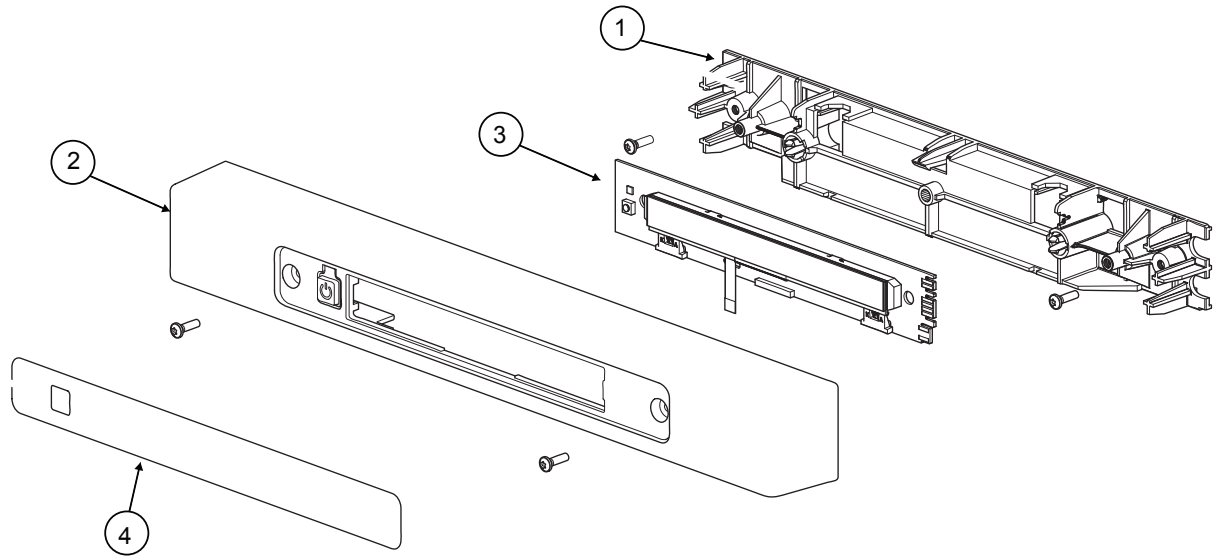
NO.	PART #	DESCRIPTION	N3104	N3150
1	690869	DISPLAY BOARD MOUNTING BRACKET	X	X
2	690872	DISPLAY BOARD (SN E001N-E366N,E001P-E365P, E001R-E365R, E001S-E058S) (USE 691449)	X	
	691449	KIT DISPLAY BOARD/POWER BOARD (SN E001N-E366N,E001P-E365P, E001R-E365R, E001S-E058S)	X	X
	691451	KIT-LCD DISPLAY BOARD (SN E059S AND ABOVE) (USE 638233)	X	
	638233	KIT-SERVICE LCD DISPLAY BOARD (SN E059S AND ABOVE)	X	
	690872	DISPLAY BOARD (SN E001N-E366N, E001P-E365P, E001R-E365R, E001S-E054S)		X
	691451	KIT- LCD DISPLAY BOARD (SN E055S AND ABOVE) (USE 638233)		X
	638233	KIT-SERVICE LCD DISPLAY BOARD (SN E055S AND ABOVE)		X
3	69087027	HOUSING-CURVED LEFT (FOR LH HINGE) (SHOWN) (USE 636881)	X	X
	636881	KIT-SERVICE CURVED HOUSING LH	X	X
	69087127	HOUSING-CURVED RIGHT (FOR RH HINGE) (NOT SHOWN) (USE 638234)	X	X
	638234	KIT-SERVICE CURVED HOUSING RH	X	X
4	690873	CONTROL OVERLAY (SN E001N-E366N, E001P-E365P, E001R-E365R, E001S-E058S) (USE 692241)	X	
	692241	LCD CONTROL OVERLAY	X	
	691452	KIT- CONTROL OVERLAY (SN E059S AND ABOVE)	X	
	690873	CONTROL OVERLAY (SN E001N-E366N,E001P-E365P, E001R-E365R, E001S-E054S)		X
	691452	KIT-CONTROL OVERLAY (SN E055S AND ABOVE)		X

NOTE: ITEM #4 IS INCLUDED IN ALL KITS REFERENCED BOVE.



NO LONGER AVAILABLE

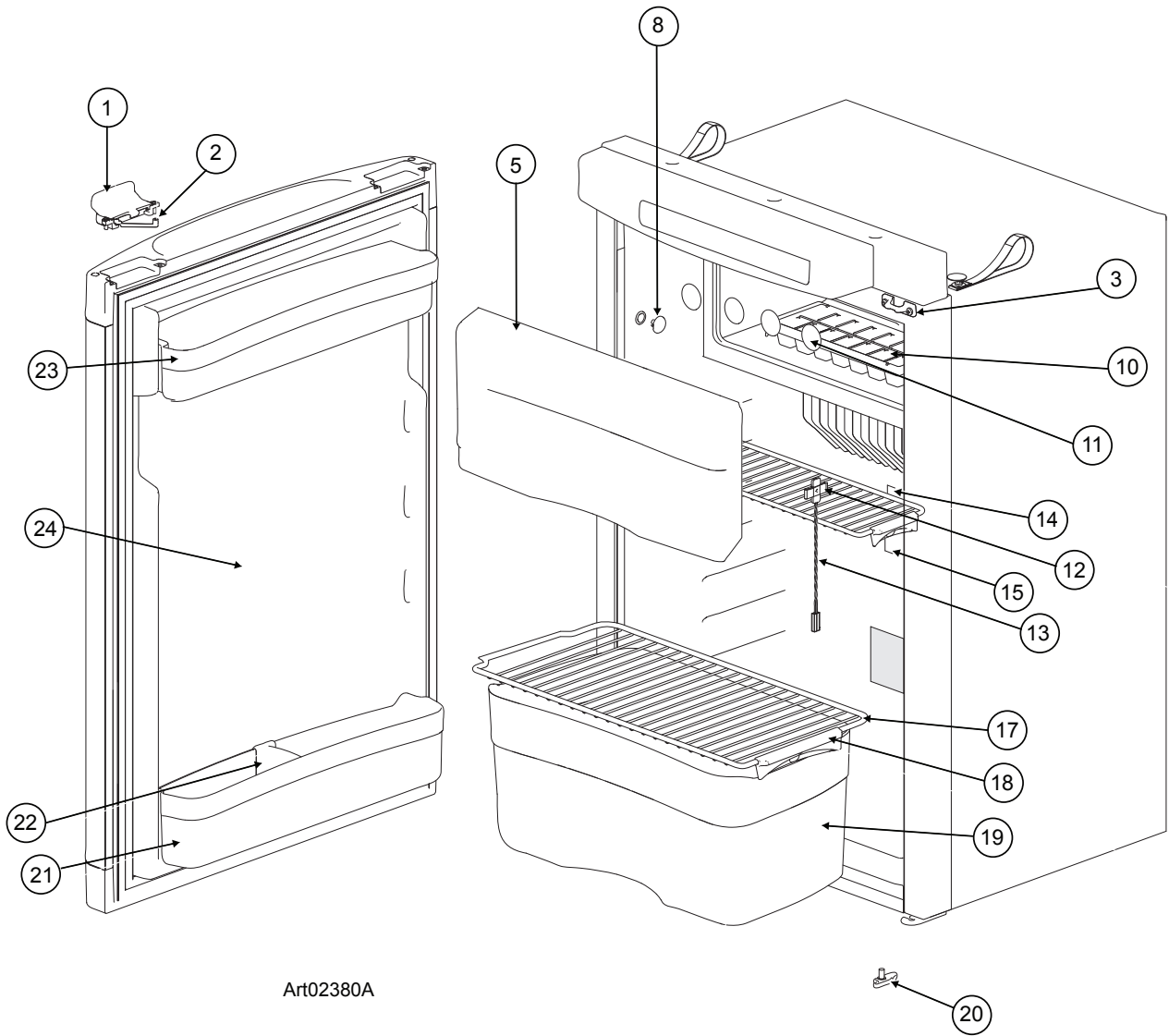
CONTROL PANEL - N3141 MODEL



ART 02619

NO.	PART #	DESCRIPTION	N3141
1	691102	TECHNICAL PANEL FLAT (USE 639217)	X
	639217	KIT SERVICE CONTROL HOUSING REPLACEMENT	X
2	691104	HOUSING FLAT	X
3	691108	KIT- PCB LCD DM (USE 639219)	X
	639219	KIT SERVICE LCD DISPLAY REPLACEMENT (USE 691449)	X
	691449	KIT DISPLAY BOARD/POWER BOARD	X
4	691110	STICKER LCD (USE 691452)	X
	691452	KIT CONTROL OVERLAY	X
		NO LONGER AVAILABLE	

CABINET AREA (FRONT VIEW) - N3104



Art02380A

CABINET AREA (FRONT VIEW) - N3104

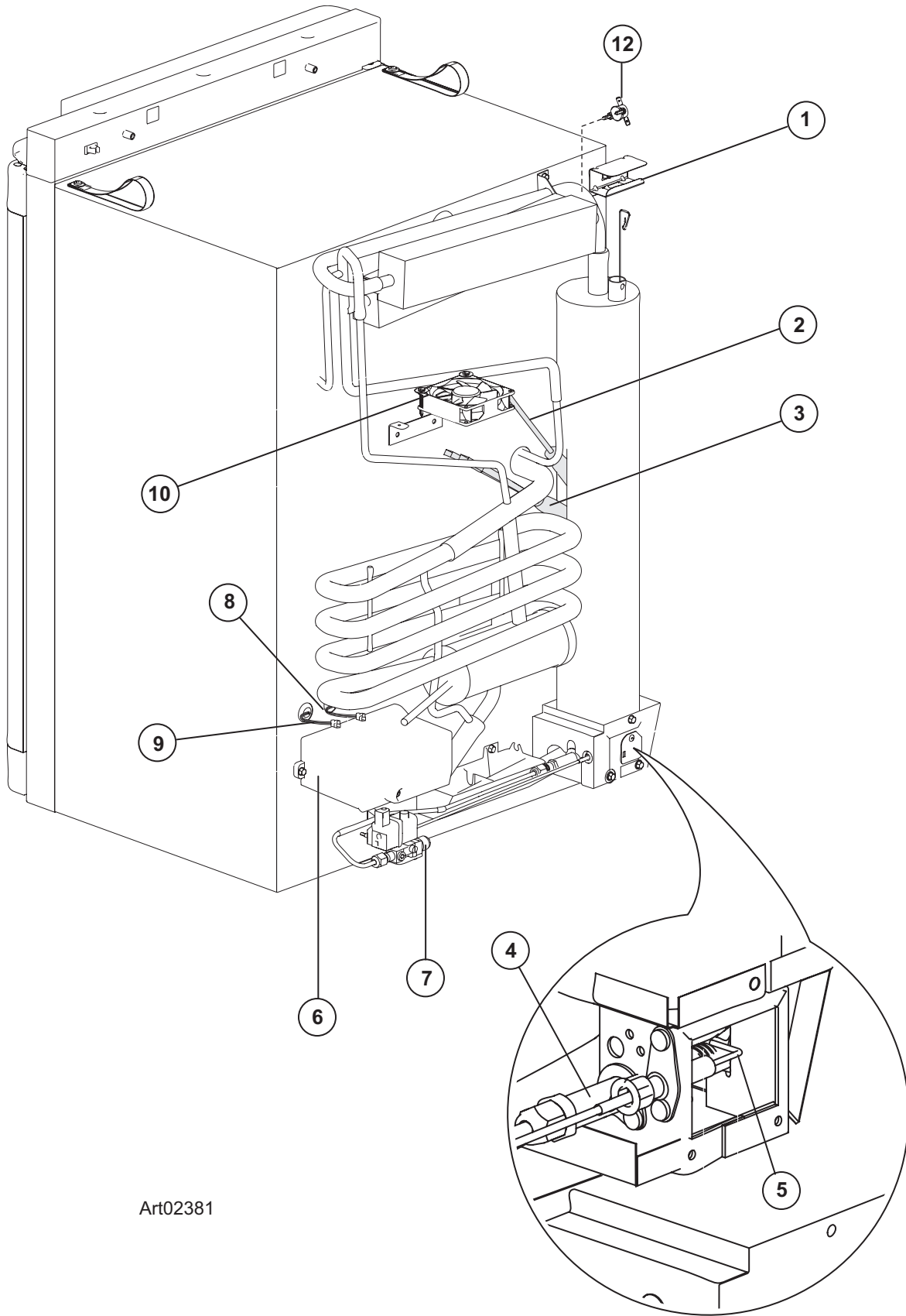
NO.	PART #	DESCRIPTION	N3104
1	62698527 SPARE PART KIT (BELOW SN EV114)	LATCH-BLACK	X
2		STORAGE STRAP	X
3		STRIKE PLATE-BLACK	X
1	691739 SPARE PART KIT (SN EV114 AND ABOVE)	LATCH-BLACK	X
2		STORAGE STRAP	X
3		STRIKE PLATE-BLACK	X
5	690852	FREEZER DOOR	X
	636864	KIT SERVICE FREEZER DOOR REPLACEMENT	X
8	62362208	CAP (CONTAINS 2 CAPS)	X
10	61630422	ICE CUBE TRAY	X
11	62447908	CAP- FREEZER BOLT (CONTAINS 12 CAPS)	X
12	623059	FIN CLIP	X
13	623077	THERMISTOR	X
14	69086708	SHELF C	X
15	62362608	SHELF CLIP-SMALL	X
17	69086808	SHELF F	X
18	62362508	SHELF CLIP-LARGE	X
19	62698012	VEGETABLE BIN	X
20	62400127	LATCH BOTTOM	X
21	69082412	DOOR BIN-CURVED DEEP	X
22	62698912	BOTTLE RETAINER	X
23	69082312	DOOR BIN-CURVED SHALLOW	X
24	690152107R	DOOR ASSEMBLY	X
NS	69021727	KIT -TO CHANGE REFR DOOR SWING FROM LEFT HINGE TO RIGHT HINGE	X
NS	69021827	KIT -TO CHANGE REFR DOOR SWING FROM RIGHT HINGE TO LEFT HINGE	X
NS	635010	KIT- HINGE LH	X
NS	635011	KIT- HINGE RH	X

NS - NOT SHOWN



NO LONGER AVAILABLE

CABINET AREA (REAR VIEW) - N3104



Art02381

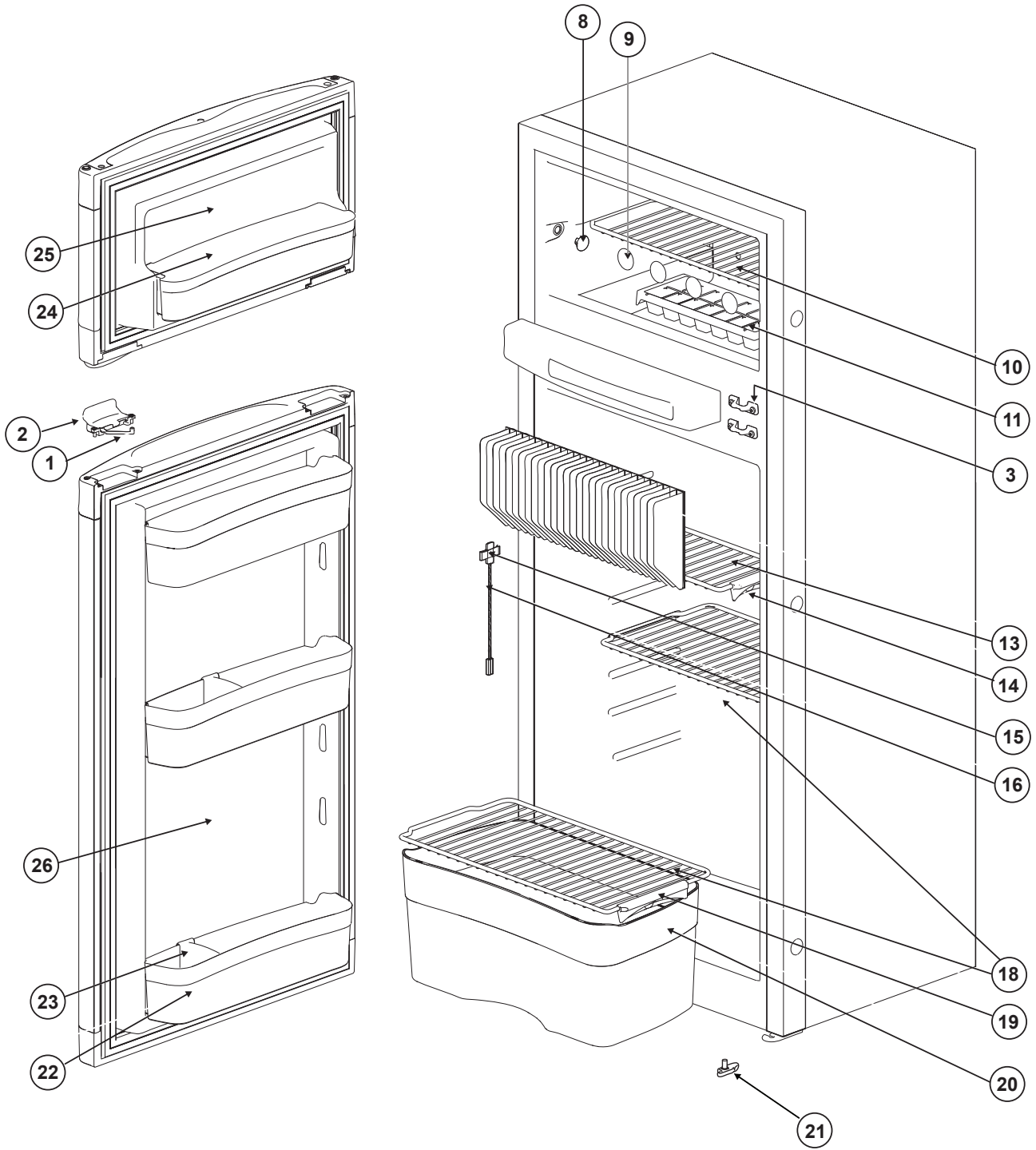
CABINET AREA (REAR VIEW) - N3104

NO.	PART #	DESCRIPTION	N3104
1	636865	HEAT CAP KIT	X
2	690859	HEATER-AC (USE 636866)	X
	636866	KIT-SERVICE HEATER REPLACEMENT	X
3	690860	HEATER-DC (USE 636867)	X
	636867	KIT SERVICE HEATER REPLACEMENT	X
4	690861	BURNER ASSEMBLY (USE 636868)	X
	636868	KIT-SERVICE BURNER ASSY	
5	690862	SPARK ELECTRODE (USE 690877)	X
	690877	SPARK ELECTRODE (USE 636872)	X
	636872	KIT SERVICE SPARK ELECTRODE	X
6	690863	POWER CONTROL BOARD (USE 691449)	X
	691450	KIT- POWER CONTROL BOARD (SN E059S-E365S, E001T-E089T)(USE 691453)	X
	691453	KIT- DISPLAY BOARD/POWER BOARD	X
	691448	KIT- SERVICE POWER BOARD V3 (SNE090T AND ABOVE)	X
	691449	KIT- DISPLAY BOARD/POWER BOARD V1	X
	634639	POWER BOARD HOUSING COVER	X
7	690864	GAS VALVE (USE 636873)	X
	636873	KIT SERVICE GAS VALVE	X
8	690853	THERMISTOR CABLE (CONNECTORS INCLUDED) (USE 636874)	X
	636874	KIT-SERVICE THERMISTOR CABLE REPLACEMENT	X
	690855	LOOSE CONNECTOR TEMP SENSE CABLE (POWER BOARD SIDE)	X
9	690854	COMMUNICATIONS CABLE (CONNECTORS INCLUDED)(USE 636875)	X
	690856	LOOSE CONNECTOR COMMUNICATIONS CABLE (POWER BOARD SIDE)	X
	636875	KIT-SERVICE COMMUNICATION CABLE	X
10	690865	FAN (USE 636876)	X
	636876	KIT FAN REPLACEMENT	X
12	690866	THERMOSTAT-DC FAN (USE 636877)	X
	636877	KIT-THERMOSTAT FAN REPLACEMENT	X
NS	690798	CONNECTION CABLE- 12V/FAN CABLE	X
NS	691446	KIT-SERV-POWER CORD 120VAC	X
NS	622416	DIFFUSER BAFFLE	X
NS	635515	DIFFUSER WIRE	X

NS- NOT SHOWN

 NO LONGER AVAILABLE

CABINET AREA (FRONT VIEW) - N3150



Art02382

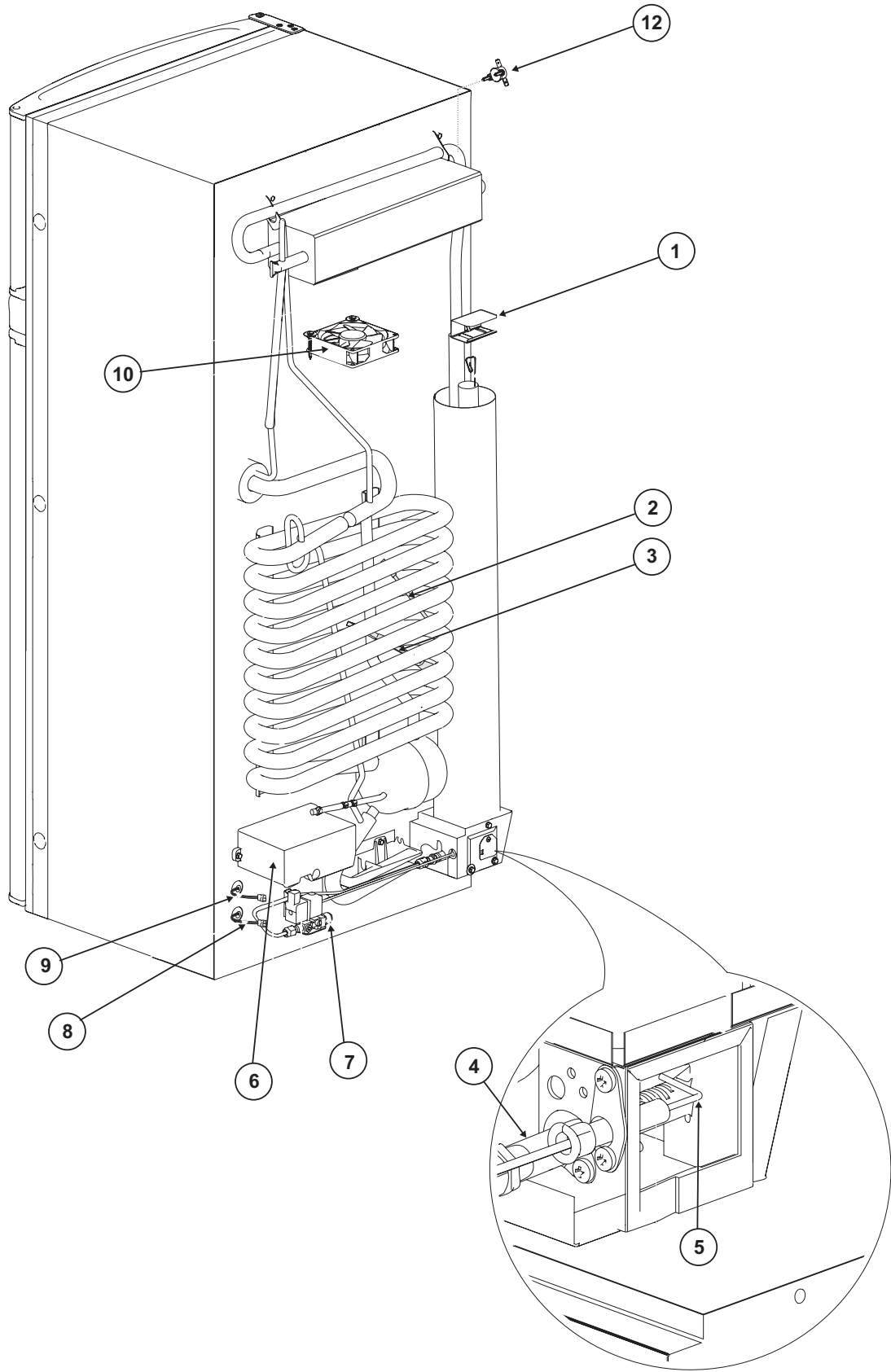
CABINET AREA (FRONT VIEW) - N3150

NO.	PART #	DESCRIPTION	N3150
1		LATCH-BLACK	X
2	62698527 SPARE PART KIT (BELOW SN EV114)	STORAGE STRAP	X
3		STRIKE PLATE-BLACK	X
1	69173927 SPARE PART KIT (SN EV114 AND ABOVE)	LATCH-BLACK	X
2		STORAGE STRAP	X
3		STRIKE PLATE-BLACK	X
8	62362208	CAP (CONTAINS 2 CAPS)	X
9	62447908	CAP-FREEZER BOLT (CONTAINS 12 CAPS)	X
10	69083608	SHELF FREEZER G (USE SN E197V09 AND BELOW)	X
	690843	SHELF 404 x 238.5 (USE SN E197V10 AND ABOVE)	X
11	61630422	ICE CUBE TRAY	X
13	69085708	SHELF H (USE SN E197V09 AND BELOW)	X
	692510	SHELF RACK 415 x 150 (USE SN E197V10 AND ABOVE)	X
14	62362608	SHELF CLIP-SMALL (USE SN E197V09 AND BELOW)	X
	692513	CLIP SHELF RACK SMALL (USE SN E197V10 AND ABOVE)	X
15	623059	FIN CLIP	X
16	623077	THERMISTOR	X
18	69085808	SHELF I (USE SN E197V09 AND BELOW)	X
	692511	SHELF RACK 415 x 200 (USE SN E197V10 AND ABOVE)	X
19	62362508	SHELF CLIP-LARGE (USE SN E197V09 AND BELOW)	X
	692514	CLIP SHELF RACK LARGE (USE SN E197V10 AND ABOVE)	X
20	62698012	VEGETABLE BIN (USE SN E197V09 AND BELOW)	X
	692523	VEGETABLE BIN RIGHT (USE SN E197V10 AND ABOVE)	X
	692522	VEGETABLE BIN LEFT (USE SN E197V10 AND ABOVE)	X
21	62400127	LATCH BOTTOM	X
22	62697612	DOOR BIN-CURVED DEEP (USE SN E197V09 AND BELOW)	X
	692520	DOOR BIN CURVED (USE SN E197V10 AND ABOVE)	X
23	62698912	BOTTLE RETAINER (USE SN E197V09 AND BELOW)	X
	692521	BOTTLE RETAINER (USE SN E197V10 AND ABOVE)	X
24	62697712	DOOR BIN-CURVED SHALLOW (USE SN E197V09 AND BELOW)	X
25	690154107R	DOOR ASSEMBLY-UPPER (USE 692372107R)	X
	692372107R	KIT SERVICE UPPER DOOR (MUST INCLUDE 69173927)	x
26	690153107R	DOOR ASSEMBLY-LOWER	X
NS	69021527	KIT -TO CHANGE REFR DOOR SWING FROM LEFT HINGE TO RIGHT HINGE	X
NS	69021627	KIT -TO CHANGE REFR DOOR SWING FROM RIGHT HINGE TO LEFT HINGE	X
NS	635010	KIT- HINGE LH	X
NS	635011	KIT- HINGE RH	X
NS	692515	CLIP RACK SAFETY LOCK	X

NS - NOT SHOWN

NO LONGER AVAILABLE

CABINET AREA (REAR VIEW) - N3150



Art02383

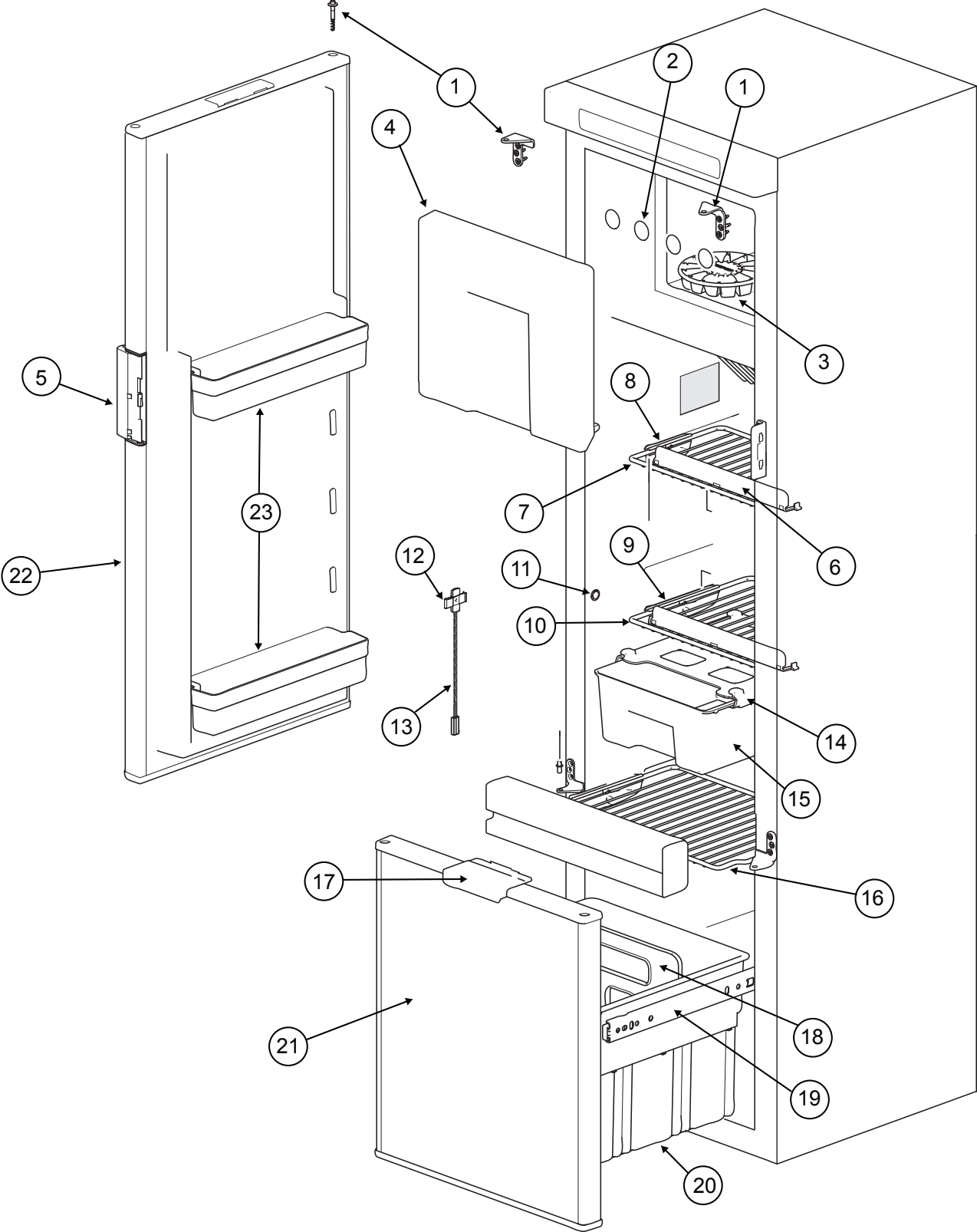
CABINET AREA (REAR VIEW) - N3150

NO.	PART #	DESCRIPTION	N3150
1	636865	HEAT CAP KIT	X
2	690874	HEATER-AC (USE 638215)	X
	638215	KIT-SERVICE HEATER REPLACEMENT	X
3	690875	HEATER-DC (USE 638216)	X
	638216	KIT-SERVICE HEATER REPLACEMENT	X
4	690876	BURNER ASSEMBLY (USE 638986)	X
	638986	KIT-SERVICE BURNER ASSY	X
5	690877	SPARK ELECTRODE (USE 636872)	X
	636872	KIT SERVICE SPARK ELECTRODE	X
6	690863	POWER CONTROL BOARD (USE 691449)	X
	691450	KIT- POWER CONTROL BOARD (SN E055S-E3655, E001T-E089T) (USE 691453)	X
	691453	KIT-DISPLAY BOARD/POWER BOARD	X
	691448	KIT-SERVICE POWER BOARD V3 (SN E090T AND ABOVE)	X
	691449	KIT-DISPLAY BOARD/POWER BOARD V1	X
	634639	POWER BOARD HOUSING COVER	X
7	690864	GAS VALVE (USE 636873)	X
	636873	KIT- SERVICE GAS VALVE	X
8	690853	THERMISTOR CABLE (CONNECTORS INCLUDED)	X
	690855	LOOSE CONNECTOR TEMP SENSE CABLE (POWER BOARD SIDE)	X
9	690854	COMMUNICATIONS CABLE (CONNECTORS INCLUDED) (USE 636875)	X
	690856	LOOSE CONNECTOR COMMUNICATIONS CABLE (POWER BOARD SIDE)	X
	636875	KIT-SERVICE COMMUNICATION CABLE	X
10	690865	FAN (USE 636876)	X
	636876	KIT FAN REPLACEMENT	X
12	690866	THERMOSTAT-DC FAN (USE 636877)	X
	636877	KIT-THERMOSTAT FAN REPLACEMENT	X
NS	690798	CONNECTION CABLE- 12V/FAN CABLE	X
NS	691446	KIT-SERVICE-POWER CORD 120VAC	X
NS	61678922	DIFFUSER BAFFLE	X
NS	635516	DIFFUSER WIRE	X

NS- NOT SHOWN

 NO LONGER AVAILABLE

CABINET AREA (FRONT VIEW) - N3141



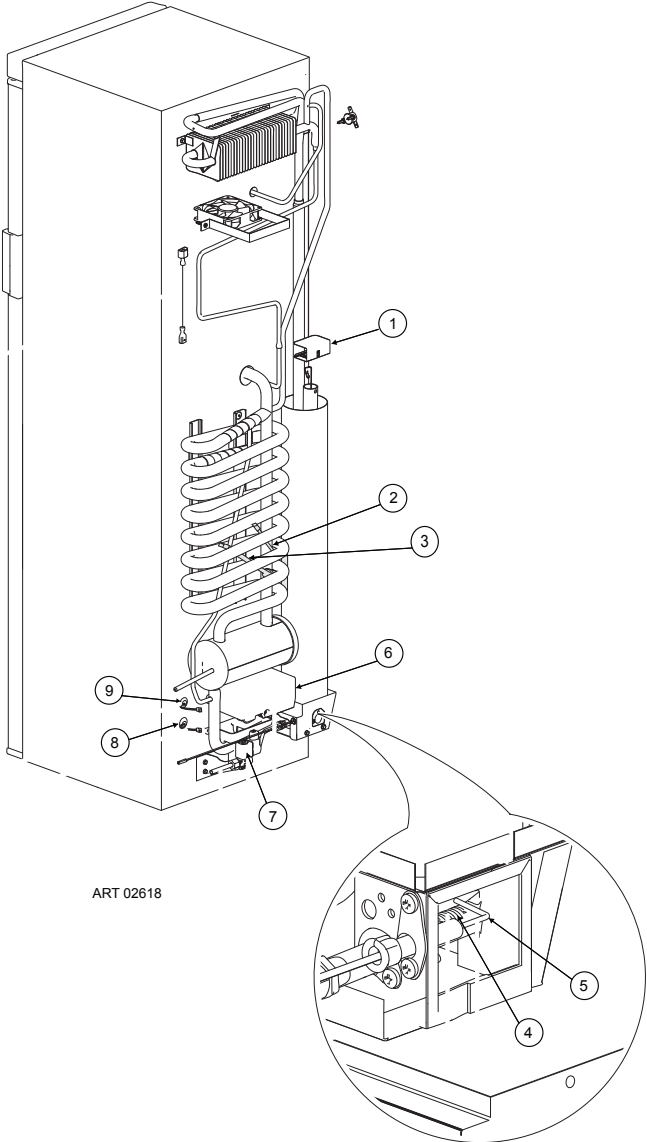
CABINET AREA (FRONT VIEW) - N3141

NO.	PART #	DESCRIPTION	N3141
1	691456	KIT- HINGE LH/RH	X
2	62447908	CAP FREEZER BOLT	X
3	61630422	ICE CUBE TRAY	X
4	691112	FREEZER DOOR ASSEMBLY (USE 639186)	X
	639186	KIT-SERVICE FREEZER DOOR REPLACEMENT	X
5	691113	KIT- DOOR HANDLE	X
6	691114	SHELF FOOD RETAINER	X
7	691115	SHELF (USE 691730)	X
	691730	SHELF	X
8	62362608	SHELF CLIP- SMALL	X
9	62362508	SHLEF CLIP- LARGE	X
10	691116	SHELF (USE 691731)	X
	691731	SHELF	X
11	62362208	CAP	X
12	623059	FIN CLIP	X
13	623077	THERMISTOR	X
14	691118	GUIDING COVER	X
15	691119	SLIDE OUT BOX	X
16	691117	SHELF (USE 691732)	X
	691732	SHELF	X
17	691287	DRAWER HANDLE	X
18	691120	DRAWER DIVIDER	X
19	691123	DRAWER GUIDES	X
20	691288	DRAWER BIN	X
21	690521	DRAWER DOOR	X
22	690519	CABINET DOOR	X
23	691121	DOOR BIN	X
NS	690611	DOOR PANEL RETAINER	X
NS	690677	DOOR LATCH SPRING	X

NS - NOT SHOWN

 NO LONGER AVAILABLE

CABINET AREA (REAR VIEW) - N3141



ART 02618

LE1386_N3141_US_back

CABINET AREA (REAR VIEW) - N3141

NO.	PART #	DESCRIPTION	N3141
1	690839	HEAT CAP (USE 639190)	X
	639190	KIT SERVICE HEAT CAP REPLACEMENT	X
2	691124	AC HEATER (USE 639191)	X
	639191	KIT SERVICE HEATER REPLACEMENT	X
3	691125	DC HEATER (USE 639192)	X
	639192	KIT SERVICE HEATER REPLACEMENT	X
4	623058	BURNER ASSEMBLY (USE 639193)	X
	639193	KIT SERVICE BURNER ASSY REPLACEMENT	X
5	690840	SPARK ELECTRODE (USE 639198)	X
	639198	KITSERVICE SPARK ELECTRODE REPLACEMENT	X
6	691101	POWER CONTROL BOARD (USE 692247)	X
	692247	POWER CONTROL BOARD	X
	639220	KIT SERVICE POWER BOARD REPLACEMENT	X
	634639	POWER BOARD HOUSING COVER	X
7	690810	GAS VALVE (USE 639199)	X
	639199	KIT SERVICE GAS VALVE REPLACEMENT	X
8	690853	THERMISTOR CABLE	X
9	690854	COMMUNICATION CABLE	X
NS	690798	CONNECTION CABLE- 12V/FAN CABLE	X
NS	691446	POWER CORD	X
NS	636877	KIT SERVICE THERMOSTAT FAN	X
NS	636876	KIT SERVICE FAN REPLACEMENT	X
NS	690675	DIFFUSER WIRE	X
NS	61678922	DIFFUSER BAFFLE	X

NS- NOT SHOWN

 NO LONGER AVAILABLE