



Installation and Owner's Manual

For N4000 models with touchscreen



FIRE OR EXPLOSION HAZARD

If you smell gas:

1. Open Windows
2. Do not attempt to light appliance and make sure the appliance is in the off position.
3. Extinguish any open flame
4. Do not touch electrical switches.
5. Do not use electronic devices such as cell phones or landline phones.
6. Evacuate the building or recreational vehicle.
7. Shut off fuel supply at LP tank
8. Call emergency services.

Failure to follow these instructions could result in fire or explosion, which could cause property damage, personal injury, or death.



Improper installation, adjustment, alteration, service or maintenance can cause injury or property damage. Refer to this manual. For assistance or additional information, contact a qualified installer, service agency, or the gas supplier.

FOR YOUR SAFETY

Do not store or use gasoline or other flammable vapors and liquid in the vicinity of this or any other appliance.



CARBON MONOXIDE POISONING MAY CAUSE DEATH OR INJURY.

When used without adequate combustion and ventilation air, the refrigerator may give off excess CARBON MONOXIDE, and odorless poisonous gas. This is an unvented gas-fired appliance. The refrigerator uses air (oxygen) from the area in which the refrigerator is used. Adequate combustion and ventilation air must be provided.

English

NORCOLD, Inc.
P.O. Box 4248
Sidney, OH 45365-4248

Norcold Customer Support Dept.
Telephone: 800-543-1219
Fax: 734-769-2332
Web Site: www.norcold.com

Part No. 639972B (1/19/2021)

Table of Contents

Owner's Manual	3
Safety Awareness.....	3
Safety Instructions.....	3
About Your Refrigerator.....	4
Refrigerator components.....	4
Storage Volume.....	4
Leveling.....	5
Operation during travel.....	5
Use of refrigerator compartment.....	5
Moving storage shelves.....	5
Moving door bins.....	5
5.....	5
Using slide out.....	5
Using Drawer.....	6
Freezer compartment.....	6
Control Panel with Touchscreen.....	6
Turn refrigerator on.....	6
Anti-condensation heater.....	6
Selecting a Source.....	7
Sources.....	7
Select cooling level.....	7
Turn refrigerator off.....	7
Temperature Control System.....	8
Effects of High Altitude on Propane Gas Operation.....	8
Effects of Freezing Temperatures on Refrigerator Operation.....	8
Refrigerator Care Checklist.....	8
Defrosting.....	9
Cleaning.....	9
Remove Slide-out box system.....	10
Remove Drawer.....	10
Check the Seal of the Doors.....	10
Refrigerator Storage.....	11
Storage Lock.....	11
Refrigerator Maintenance Checklist.....	12
Refrigerator Maintenance.....	12
Gas flame appearance.....	12
Remove and clean the burner orifice.....	13
Wiring Diagram and Pictorial.....	14
Replacement Parts.....	15
Troubleshooting.....	15
Frequently Asked Questions.....	15
Installation Manual.....	16
Safety Awareness.....	16
Safety Instructions.....	16
Certification and Code Requirements.....	17
Ventilation Requirements.....	17
Key Refrigerator Dimensions.....	18
Assemble the Enclosure for the Refrigerator.....	18
Install the Lower and Upper Vents.....	19
Reverse the Door Swing (optional).....	23
Install Door Panel.....	24
Handling.....	25
Install the Refrigerator.....	25
Combustion Seal.....	25
Connect the Electrical Components.....	26
Connect the 120 volts AC supply.....	26
Connect the 12 volts DC supply.....	26
Connect the electrical componets 2-way option.....	27
Connectivity.....	27
Connect the Propane Gas Components.....	28
Connect the propane gas supply system.....	28
Connect the gas supply line to the refrigerator.....	28
Examine the gas supply system for leaks.....	28
Ignition and Start Up.....	29
Control Panel with Touchscreen.....	29
Removing Air From the Propane Gas Supply Lines.....	29
Set the Controls to Automatic Mode Operation.....	30
Turn Refrigerator Off.....	30
Remove the Refrigerator.....	30

Owner's Manual

Safety Awareness

Read this manual carefully and understand the contents before you use the refrigerator.

Be aware of possible safety hazards when you see the safety alert symbol on the refrigerator and in this manual. A signal word follows the safety alert symbol and identifies the danger of the hazard. Carefully read the descriptions of these signal words to fully know their meanings. They are for your safety.



This signal word means a hazard, which if ignored, can cause dangerous personal injury, death, or much property damage.



This signal word means a hazard, which if ignored, can cause small personal injury or much property damage.

Safety Instructions



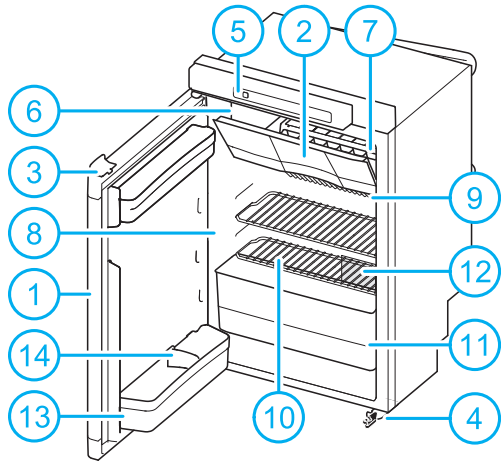
- Do not install in below deck Marine applications.
- The storage of flammable materials behind or around the refrigerator creates a fire hazard. Do not use the area behind the refrigerator to store anything, especially flammable materials (gasoline, cleaning supplies, etc.)
- Do not remove the round ground prong from any of the AC power cords. Do not use a two prong adapter or an extension cord with any of the AC power cords.
- A circuit overload can result in an electrical fire if the wires and/or fuses are not the correct size. Use only the wire and fuse sizes as written in the "Installation Manual".
- Incorrect installation, adjustment, change to, or maintenance of this refrigerator can cause personal injury, property damage, or both. Have service and maintenance work done by your dealer or by a Norcold authorized service center.
- Disconnect both the AC and DC power sources before doing any maintenance work on the refrigerator. All service work on this refrigerator must be done by a qualified service technician.
- Do not bypass or change the refrigerator's electrical components or features.
- When you discard an appliance, remove all doors to prevent accidental entrapment and suffocation.
- Do not spray liquids near electrical outlets, connections, or the refrigerator components. Many liquids are electrically conductive and can cause a shock hazard, electrical shorts, and in some cases fire.
- The refrigerator cooling system is under pressure. Do not try to repair or to recharge a defective cooling system. The cooling system contains sodium chromate. The breathing of certain chromium compounds can cause cancer. The cooling system contents can cause severe skin and eye burns, and can ignite and burn with an intense flame. Do not bend, drop, weld, move, drill, puncture, or hit the cooling system.
- At regular intervals, make sure that the refrigerator flue the burner, the vent areas, and the ventilation air pathway between the vents is completely free from any flammable material or blockage. After a period of storage, it is especially important to check these areas for any flammable material or blockage caused by animals.



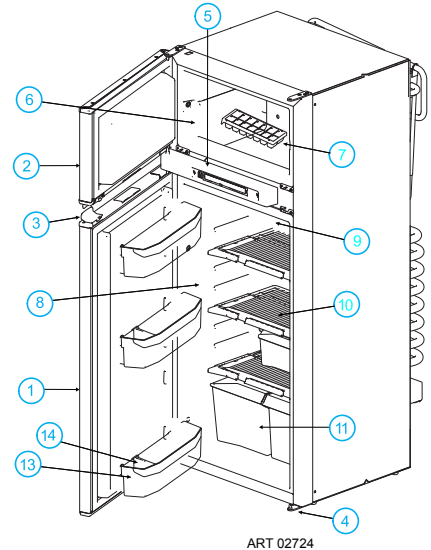
- The rear of the refrigerator has sharp edges and corners. To prevent cuts or abrasions when working on the refrigerator, be careful and wear cut resistant gloves.

About Your Refrigerator

model N4104

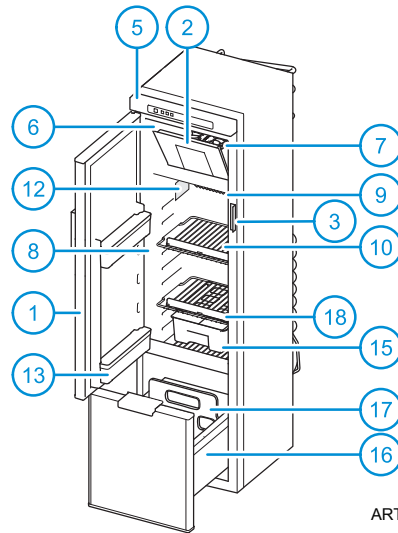


model N4150



Art02363

model N4141



ART 02593

Refrigerator components

1.....	Refrigerator door
2.....	Freezer door
3.....	Door lock
4.....	Security lock (dependent on model)
5.....	Control panel with LCD touchscreen
6.....	Freezer compartment
7.....	Ice cube tray
8.....	Refrigerator compartment
9.....	Cooling fins
10.....	Storage shelves
11.....	Vegetable bin
12.....	Serial label
13.....	Door bins
14.....	Bottle retainer
15.....	Slide out Box
16.....	Bottom Drawer
17.....	Bottle Retainer

Storage volume

This refrigerator is made for storage of foods and frozen food and for making ice.

Total capacity: model N4104 - 3.7 cubic feet model N4150 - 5.3 cubic feet model N4141 - 5.0 cubic feet

Leveling



The refrigerator is made to operate within 3° off level side-to-side and 6° off level front-to-back (as looking at the front of the refrigerator). Operating it at more than these limits can cause damage to the cooling system and create a risk of personal injury or property damage. Make sure the vehicle is level before you operate the refrigerator.

Operation during travel

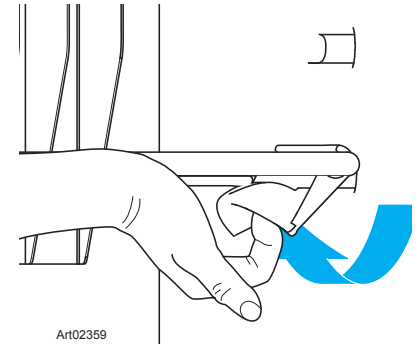
While the refrigerator should be level when the vehicle is stopped, performance during travel is not usually affected.

Use of refrigerator compartment

You can organize your refrigerator as desired by moving the storage shelves and door bins. Make sure the door can still be closed after reorganizing shelves and bins.

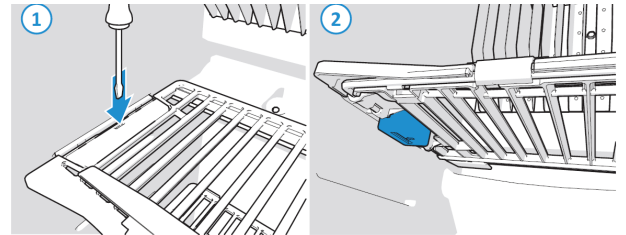
Moving storage shelves(N4141 and N4104 Models only)

Remove and save the screw below the plastic clamp on the right side of the storage. Turn the plastic clamp upwards, as illustrated. Lift the right side a bit, and move the storage shelf to the desired position. First place the left side of the storage shelf in the refrigerator wall, then the right side in the corresponding groove. Turn the plastic clamp downwards, and replace the screw underneath.(See Art02359)



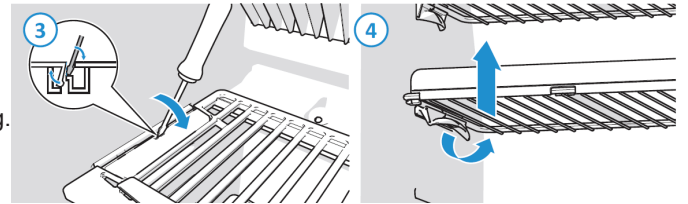
Moving storage shelves(N4151 Model only)

Place a tool with a flat end firmly inside the oval opening of the clip (1). Hold the block under the clip with your free hand (2). (See Art02726) Gently move the tool away from the fridge wall (approximately 30 degrees) while keeping its end on the bottom of the oval opening(3). After removing the safety block, rotate the clip upwards to release the shelf (4). Move the storage shelf to the desired position. Rotate the clip downwards until the shelf snaps into place. Place the block at the bottom of the shelf until you hear a click sound.(See Art02727)



Moving door bins

Push a door bin out of the locking with both hands, as illustrated. Place this door bin back in the desired position and push it back on the locking. (See Art02360)



For the best cooling performance:

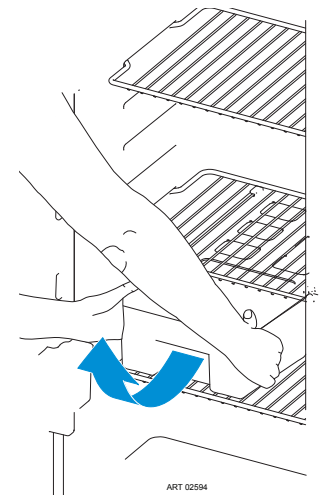
- Let air move freely inside the entire food compartment.
- Do not cover the shelves with plastic, paper, etc.

To decrease the amount of ice that collects on the cooling fins:

- Cover all liquids and moist foods.
- Let all hot foods cool before putting them in the refrigerator.
- Do not open the door any longer than necessary.

Using slide out- N4141

You may use the slide out box as a tray for all your breakfast or lunch items. Slide out the complete box and put it directly on the table. To remove the slide out box, pull the box until it stops. Then lift the box at the front, as illustrated [Art02594]. The box is now free to remove.



Using drawer- N4141

The drawer is specially designed for bottle , cans, vegetables and is divided into two compartments by the bottle retainer. [See Art02595]

NOTICE The bottle retainer is secured into position and should not be relocated.

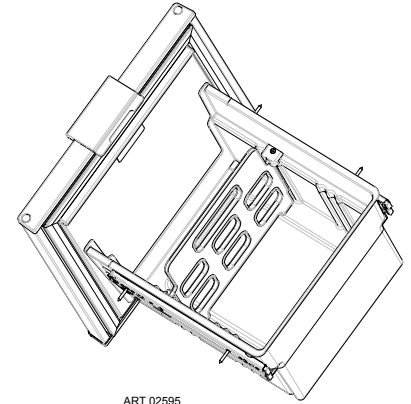
CAUTION The maximum storage capacity of the drawer is 33lbs.

Freezer compartment

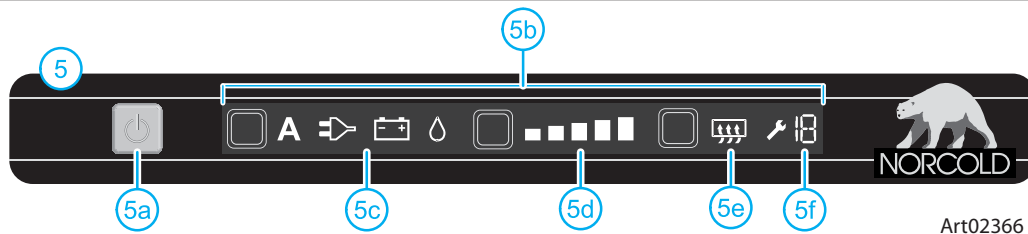
The freezer compartment is made to keep pre-frozen food frozen and not to quick freeze food. Keep pre-frozen foods in the freezer compartment.

NOTICE Do not put other items on the ice tray while the water is freezing. The water freezes more rapidly if the thermostat is at the COLDEST position.

NOTICE Do not wash the vegetable bins, door bins, or bin slides in a dishwasher. The vegetable bins, door bins, and bin slides are not dishwasher safe.



Control Panel With Touchscreen



- 5..... Control panel with LCD touchscreen
- 5a..... On/off switch
- 5b..... Touchscreen
- 5c..... Mode symbols
- 5d..... Cooling level indicators
- 5e..... Symbol 'anti-condensation' (only for model N4150)
- 5f..... Error code

Turn refrigerator on

Start up the refrigerator and let it cool for eight hours before loading with food. If the refrigerator does not start to cool down after about two hours, contact your dealer or a Norcold authorized service center.

For best cooling performance, level your vehicle before operating the refrigerator.

To turn the refrigerator on, push the on/off switch and hold it for 1 second, as illustrated. A light in the on/off switch will turn green.(See Art02352)

After 10 seconds the settings will dim. The blue light indicates the refrigerator is still functioning.

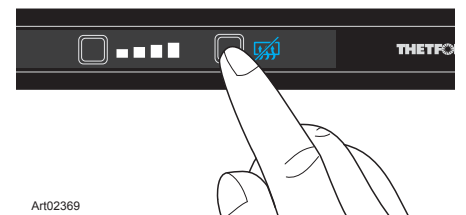
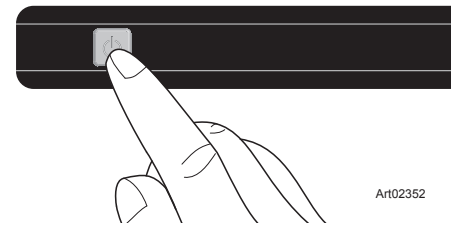
To check the settings push the on/off button again. The currently active settings will light up. For optimal performance, turn the refrigerator on eight hours before placing food.

Anti-condensation heater (present on refrigerator model N4150 & N4141)

To prevent condensation from forming on the control panel , the anti-condensation function is automatically turned on (no symbol visible). Only turn this function off when it is necessary to conserve vehicle battery charge.

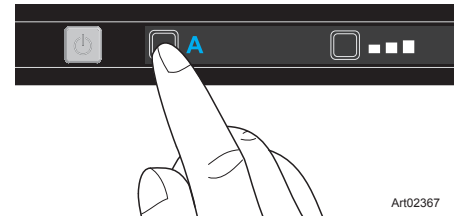
To turn OFF the anti-condensation heater, push on the anti-condensation button. The symbol on the control panel will light up, indicating that the anti-condensation heater has been turned OFF. (See Art02369)

To turn the anti-condensation heater back on, push the anti-condensation button again. The symbol on the control panel will go off, indicating that the anti-condensation heater has been turned ON.







Selecting a source

After turning the refrigerator on, push the source button several times, as illustrated. Push until the desired source is selected. (See Art02367)



Sources

- | | | |
|------|---|--|
| Auto |  | The refrigerator automatically selects the best source available (in order: AC, DC, gas) |
| AC |  | The refrigerator is powered by AC. |
| DC |  | The refrigerator is powered by the battery of your vehicle. |
| Gas |  | The refrigerator is powered by propane gas. |

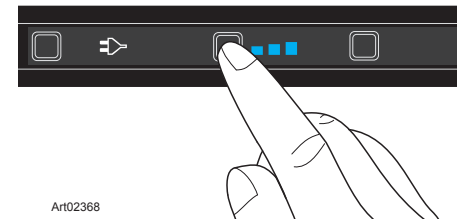
Always use the gas or AC mode to start up and cool. Operating on 12V DC is only effective while the engine of the vehicle is running.

If the 'auto' function on the refrigerator is selected, but no source is available, a light in the on/off switch blinks red.

The performance of the refrigerator operating on 12V DC is dependent on the thickness and length of the wiring and the overall installation of the vehicle.

Select cooling level

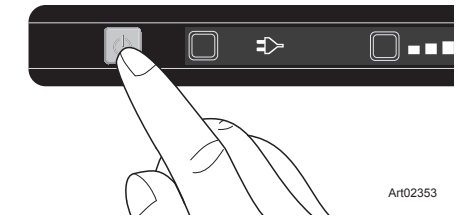
After turning the refrigerator on, push the cooling level button several times, as illustrated. Push until the desired level is selected. (See Art 02368)



We advise to set the refrigerator on cooling level 3, with an ambient temperature between 60°F and 75°F. A higher temperature needs a higher cooling level, a lower temperature a lower level.

Turn refrigerator off

Before defrosting the refrigerator or storing your vehicle, turn the refrigerator off. Push the on/off switch, as illustrated, and hold it for 2 seconds to turn off the refrigerator. All lights will go out. (See Art02353)



NOTICE

If storing the vehicle for an extended period of time, make sure to disconnect the fan at the rear of the refrigerator, as explained in section entitled "Refrigerator Storage".

Temperature Control System

Although the refrigerator is not frost-free, it is made to limit frost on the cooling fins. At regular intervals, the temperature control system automatically melts most of the frost from the cooling fins. The water from the cooling fins drains into a collection cup that is attached to the back of the refrigerator. The heat of the cooling system evaporates the water from the collection cup.

Effects of High Altitude on Propane Gas Operation

When you operate the refrigerator on propane gas at altitudes higher than 5500 feet above sea level:

- You may experience reduced cooling performance of the refrigerator.
- You may experience burner outages.

To avoid these possible problems, Norcold recommends that you operate the refrigerator on AC when at altitudes higher than 5500 feet above sea level.

Effects of Freezing Temperatures on Refrigerator Operation

A gas absorption refrigerator is not designed to operate in freezing temperatures. If the refrigerator is not equipped for low temperature operation, and if the cooling system of the refrigerator is exposed to temperatures of 32° F or lower for an extended period of time, the refrigerator operation may be disrupted. The refrigerator operation will resume when the cooling system of the refrigerator warms sufficiently.

Disrupted operation of the refrigerator, due to extended exposure to temperatures of 32° F or lower, and any costs incurred to warm the cooling system of the refrigerator are not covered by the Norcold limited warranty. Please contact your local RV dealer for information about how to resume refrigerator operation or about how to equip your refrigerator for operation in freezing temperatures.

Do not change the installation or the venting of your refrigerator. Refrigerator failures, which are the result of changes to either the refrigerator installation or to the venting, are not covered by the Norcold limited warranty.

Refrigerator Care Checklist

Your refrigerator will give you years of trouble free service if you do these simple checks every three to six months:

- Keep the food compartment and the freezer clean. See "Cleaning".
- Defrost the refrigerator as necessary. See "Defrosting".
- Make sure the door seals correctly. See "Door Sealing".
- Be aware of any cooling changes that are not because of weather, loading, or gas control changes. If changes occur, contact your dealer or service center.
- Make sure the gas supply is propane gas only and not butane or a butane mixture.
- When in propane gas operation, examine the appearance of the flame. See "Gas Flame Appearance".
- Make sure the air flow in the lower intake vent, through the refrigerator coils and condenser, and out the upper exhaust vent is not blocked or decreased.
- Make sure the area behind the refrigerator is clear. Do not use the area behind the refrigerator for storage of anything, especially gasoline and other flammable vapors and liquids.

Defrosting

The cooling fins of the refrigerator operate at below freezing temperature and will naturally form frost from humidity, which is always present in the air. The humidity inside the refrigerator increases:

- with higher outside temperature and humidity.
- with the storage of non-sealed fresh foods or warm foods.
- with the amount of time that the door(s) are open.
- with any air leakage into the refrigerator.

Although the refrigerator is not frost-free, it is made to limit frost on the cooling fins. At regular intervals, the temperature control system automatically melts most of the frost from the cooling fins. The water from the cooling fins drains into a collection cup that is attached to the back of the refrigerator. The heat of the cooling system evaporates the water from the collection cup.

It is normal for frost to collect inside the freezer. Excess frost decreases the cooling performance of the refrigerator. Defrost the refrigerator and freezer as necessary:

- Remove all food from the refrigerator.
- Turn the refrigerator OFF.

NOTICE *Defrosting the refrigerator makes excess water inside the refrigerator.*

- Remove the drain hose from the drip cup at the rear of the refrigerator.
- Put the drain hose into a half-gallon or larger container to capture water.
- Put dry towels (etc.) inside the refrigerator and freezer to absorb melted frost.



High temperatures can cause the inside surfaces of the refrigerator to warp or melt. Do not use pans of HOT water, hair dryer, or any other high temperature devices to defrost the refrigerator. Do not use any hard or sharp objects to remove frost. Damage to the interior of the refrigerator can occur.

- To increase the speed of defrosting, put pans of WARM water in the refrigerator and freezer.
- Remove the wet towels (etc.) and dry the interior.
- Remove the drain hose from the large container and put the drain hose back into the drip cup.
- Remove the large container from the enclosure.
- Start up the refrigerator.
- Allow the refrigerator to cool down.
- Return all food to the refrigerator.

Cleaning

A good time to clean the refrigerator is just after you defrost it. Clean the inside of the refrigerator as often as necessary to avoid food odors:

- Remove all food from the refrigerator.

NOTICE *Do not use abrasive cleaners, chemicals, or scouring pads because they can damage the interior of the refrigerator. -*

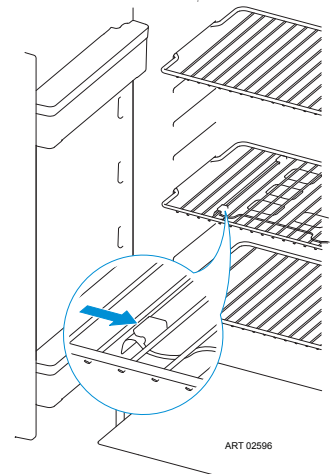
- Wash the interior with a mild cleaner or a solution of liquid dish detergent and warm water.
- Rinse with a solution of baking soda and clean water.
- Dry with clean cloth.
- Put all food in the refrigerator.

Remove Slide out Box System (Art02596)

- Open the refrigerator door.
- Remove slide out box
- Slide the rail system to the right.
- Remove slide out box.
- Once area is clean, move the rail system to the left.
- Place the slide out box back into refrigerator.

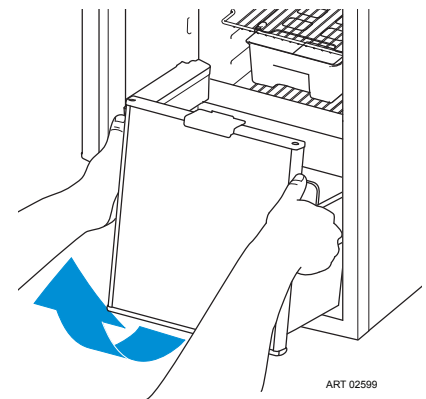
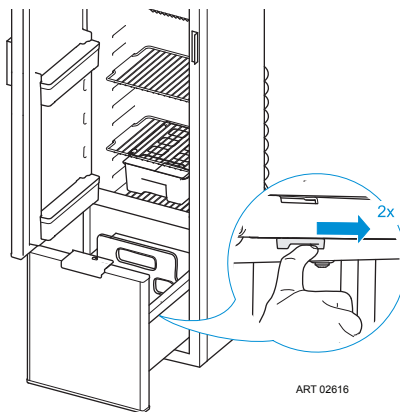
NOTICE

Make sure the slide out box snaps into place.



Remove Drawer

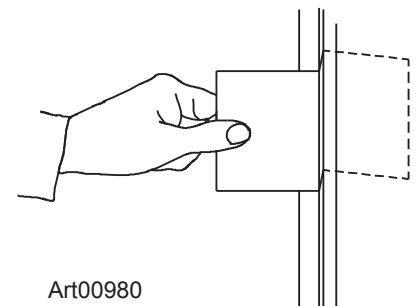
- Open the refrigerator door
- Pull the drawer until it stops.
- Push it a little bit back and push the guide locks backwards. (See Art02616)
- Pull the drawer towards you and lift the wheels over the curves. (See Art02599)
- Clean the desired area and place the drawer back into the refrigerator.
 - Push the guide locks forward
 - Tilt the drawer over the wheels.
 - Push the drawer into the refrigerator.



Check the Seal of the Doors

If either door does not seal correctly, excess frost will collect inside the refrigerator. Make sure the doors seal correctly (See Art00980):

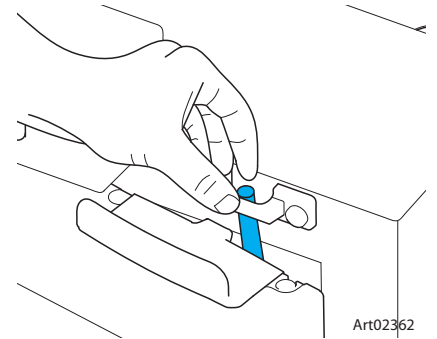
- Close each door on a piece of paper that is about the size and thickness of a dollar bill.
- Gently pull the paper.
 - You should feel a slight drag between the gasket and the cabinet.
 - Do this on all four sides of the door.
 - If you do not feel a slight drag on the paper, the door does not seal correctly.
 - Have your dealer or an authorized Norcold Service Center correct the seal of the door.



Refrigerator Storage

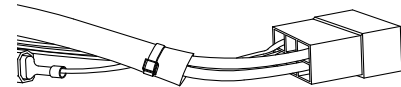
Before the refrigerator is stored for an extended (seasonal) period of time:

- Defrost and clean the interior of the refrigerator.
- To prevent odors and mold in the refrigerator, keep all doors open during storage. Rotate the hook at door lock 45 degrees and lock it in place by using the strike plate, as illustrated.
- Disconnect the fan at the rear of the refrigerator. Unplug the connector on the red wire of the DC power cord, where shown as illustrated. (Art02362)



If the refrigerator is stored for an extended period of time, before start up:

- Make sure there are no obstructions in the vents, the ventilation air pathway, the burner, the orifice, or the flue area.
- Reconnect the fan at the rear of the refrigerator. Plug together the connectors on the red wire of the DC power cord, where shown as illustrated. (Art02331)



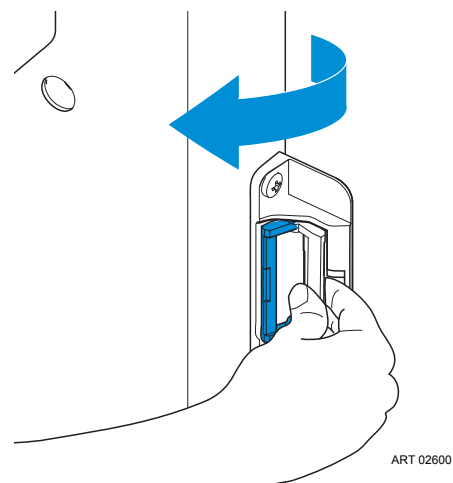
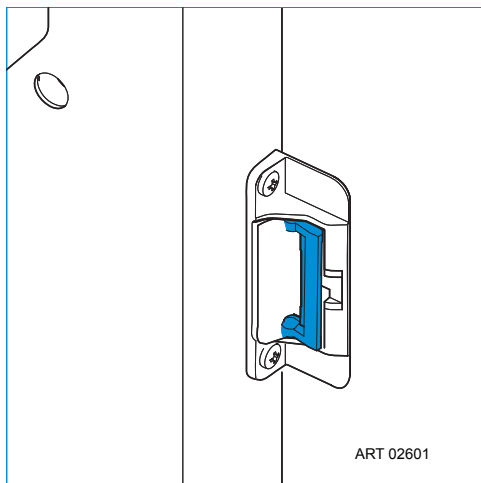
N4141 Storage Lock

Open the door and rotate the storage lock as illustrated. (See Art2600)

- Then close the door until you here the first click.
- Make sure the door is still part way open.

Art02331

When you use the refrigerator after storage, always make sure to rotate the storage lock back to its original position. (See Art02601)



Refrigerator Maintenance Checklist

Read and understand the following maintenance sections of this manual.

NOTICE

Norcold is not responsible for installation, adjustment, alteration, service, or maintenance performed by anyone other than a qualified RV dealer or a Norcold authorized service center.

Have a qualified RV dealer or a Norcold authorized service center do these annual safety and maintenance checks:

- Examine the gas supply lines for leaks
 - Replace or repair if needed.
- Make sure the propane gas pressure is 11 inches of water column.
 - Adjust if needed.
- Make sure the combustion seal is complete and intact.
 - Replace or repair it if needed.
- Make sure the burner and the burner orifice are clean.
 - Clean if needed.
- Make sure the electrode spark gap is 1/8 - 3/16 inch.
 - Adjust if needed.
- Make sure the AC voltage is 108 - 132 volts and the DC voltage is 10.5 - 15.4 volts.
- Make sure the area at the rear of the refrigerator is free of any combustible materials, gasoline, and other flammable vapors and liquids.

Refrigerator Maintenance

Gas flame appearance:

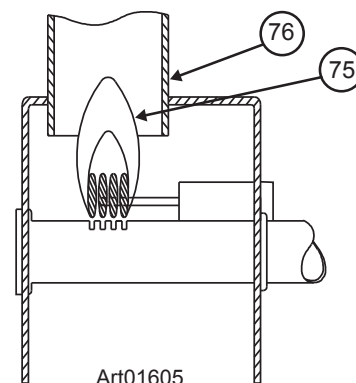


While in GAS operation, examine the appearance of the gas flame:

- Turn the refrigerator on, select manual gas mode, and coldest temperature setting.
- Open the lower intake vent.

The burner box cover can be hot. Wear gloves to avoid burns.

- Remove the burner box cover by removing the screw.
- Look at the gas flame [75] (See Art01605).
- The flame should be:
 - a darker blue color on the inside of the flame and a lighter blue color on the outside of the flame.
 - a constant shape without flickering.
 - Contact your dealer or Norcold authorized service center if the flame is:
 - yellow
 - flickering or changing shape.
 - Make sure the flame does not touch the inside of the flue tube [76].
 - If the flame touches the inside of the flue tube, contact your dealer or Norcold authorized service center.
- Close the burner box door.

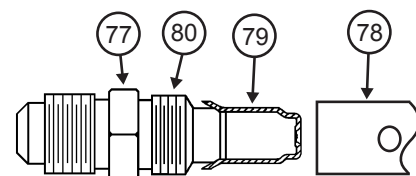


Remove and clean the burner orifice

Your dealer or Norcold authorized service center must do this procedure.

Remove and clean the burner orifice (See Art00956):

- Close the valve at the propane gas tank(s).
- Push the on/off switch and hold it for 2 seconds to turn off the refrigerator.



Art 00956



The burner box cover can be hot. Wear gloves to avoid burns.

- Open the lower intake vent.
- Remove the burner box cover by removing the screw.



To avoid possible propane gas leaks, always use two wrenches to loosen and tighten the gas supply line connections.

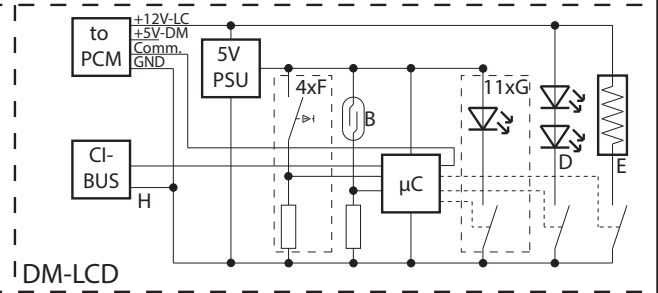
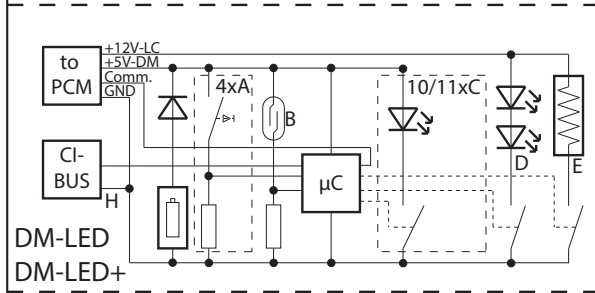
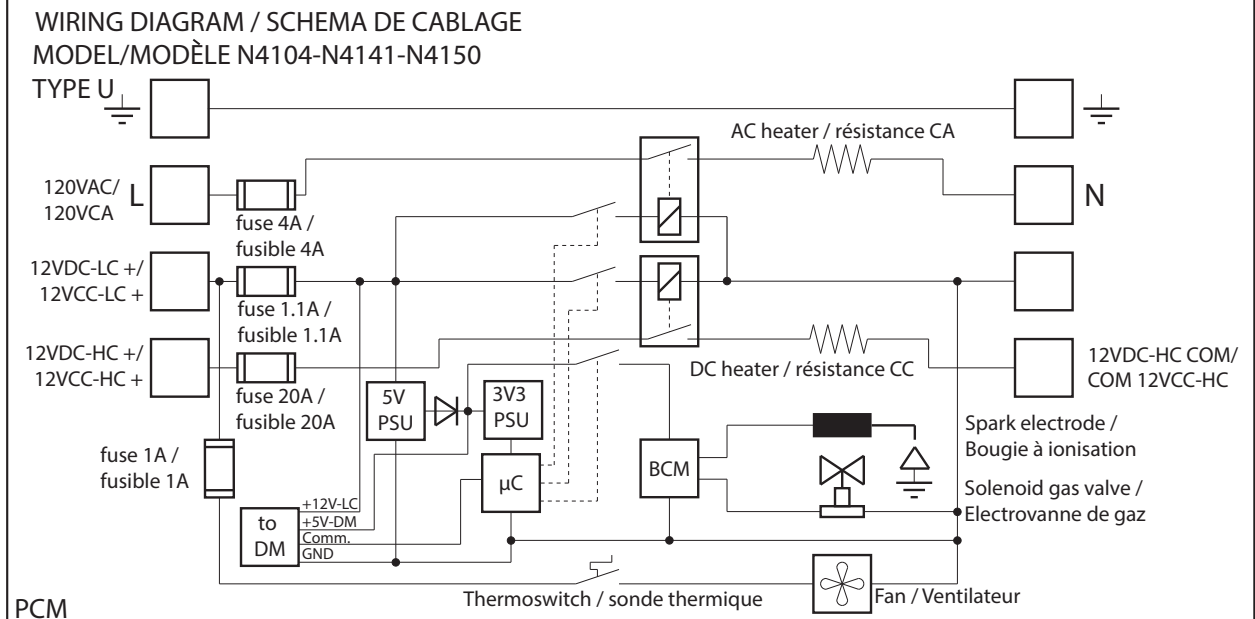
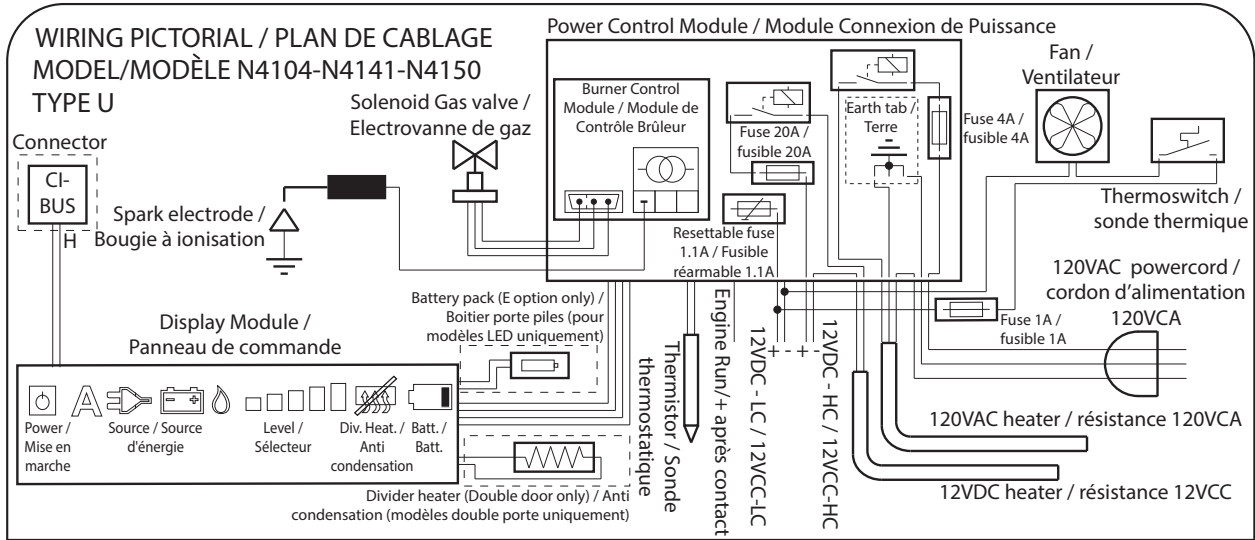
- Remove the flare nut from the orifice assembly [77] (See Art00956).
- Remove the orifice assembly from the burner [78].



Do not try to remove the orifice [79] from the orifice adapter [80] when cleaning. Removal will damage the orifice and seal of the orifice and can cause a propane gas leak. Leaking propane gas can ignite or explode which can result in dangerous personal injury or death. Do not clean the orifice with a pin or other objects.

- Clean the orifice assembly with air pressure and alcohol only.
- Using a wrench, assemble the orifice assembly to the burner.
- Assemble the flare nut to the orifice assembly.
- Examine all of the connections for gas leaks.
- Clean the burner box.
- Assemble the burner box cover.

Wiring Diagram and Pictorial



- A) Push buttons: Power, Back, Mode/Enter, Next / Commandes: Mise en marche, Retour, Valider, Suivant.
- B) Reed switch / Contacteur
- C) LEDs: 3x Source (4x in case of LED+), 5x Temperature, Divider heater, battery (red) / Modèle LED = 3 sources d'énergie (4x en cas de LED+), 5 sélections de puissance, anti condensation, indicateur changement de piles (rouge)
- D) Interior lights / Lumière intérieure
- E) Divider heater (double door only) / Anti condensation (modèles double porte uniquement)
- F) Push button Power and 3x touch switch: source, temperature, divider heater / Commandes: Mise en marche et 3 commandes tactiles: Source d'énergie, sélection de puissance, anti condensation
- G) LCD symbols: auto mode, 3x source, 5x temperature, divider heater, 2 digit error code / modèle LCD = mode automatique, 3 sources d'énergie, 5 sélections de puissance, anti condensation, code erreur (2 chiffres).

691925

Note: If any of the original wire as supplied with the refrigerator shall be replaced, it shall be replaced with the original type wire or its equivalent.

Replacement Parts

You may purchase replacement parts through your local RV dealer or authorized Norcold Service Center.

Troubleshooting

In case of a problem, an error code on the control panel can light up. When error codes 1, 2, 4, 5, 8, 9, 12 or 13 are visible, directly contact your dealer or a Norcold Service Center.

For below error codes, first read the associated instructions. If this will not solve the problem, contact your dealer or a Norcold Service Center.



The refrigerator does not work on gas: check if the gas bottle is not empty • check if the valve of the gas bottle and all shut-off valves are open • turn the refrigerator off and on again • try to run the refrigerator on another power source



The refrigerator does not work on 12V: make sure the engine is running • try to run the refrigerator on another power source



The refrigerator does not work on 12V: make sure the engine is running • try to run the refrigerator on another power source.



The refrigerator does not work on 120V: check if 120V AC is available • try to run the refrigerator on another power source



The refrigerator does not work in AUTO mode: check if the sources are connected • try to run the refrigerator manually on a power source



All symbols on the control panel light up: wait a few seconds until the refrigerator starts normal.

Frequently Asked Questions

What can I do, when the refrigerator does not start?

Check if you turned on the refrigerator according to the instructions, if the vehicle stands level or if there is an available energy source to start the refrigerator with. If none of this is the case, please contact your dealer or a Norcold Service Center.

The refrigerator does not cool sufficiently, what can I do?

Check if the vents aren't covered or blocked from the outside, if the refrigerator stands level, if the highest cooling level of the refrigerator is selected, if the door of the refrigerator still closes properly, if there is not too much ice on the cooling fins, or if the fan wire is disconnected at the rear of the refrigerator. If none of this is the case, please contact your dealer or a Norcold Service Center.

All lights on the control panel are blinking, what should I do?

Please contact your dealer or a Norcold Service Center.

Installation Manual

Safety Awareness

Read this manual carefully and understand the contents before you install the refrigerator.

Be aware of possible safety hazards when you see the safety alert symbol on the refrigerator and in this manual. A signal word follows the safety alert symbol and identifies the danger of the hazard. Carefully read the descriptions of these signal words to fully know their meanings. They are for your safety.



This signal word means a hazard, which if ignored, can cause dangerous personal injury, death, or much property damage.



This signal word means a hazard, which if ignored, can cause small personal injury or much property damage.

Safety Instructions



- This refrigerator is not approved for use as a free standing refrigerator. It is equipped for the use of propane gas only and cannot be changed to use any other fuels (natural gas, butane, etc.).
- Incorrect installation, adjustment, alteration, or maintenance of this refrigerator can cause personal injury, property damage, or both.
- Obey the instructions in this manual to install intake and exhaust vents.
- Do not install the refrigerator directly on carpet. Put the refrigerator on a metal or wood panel that extends the full width and depth of the refrigerator.
- Do not allow anything to touch the refrigerator cooling system.
- Propane gas can ignite and cause an explosion that can result in property damage, personal injury, or death. Do not smoke or create sparks. Do not use an open flame to examine the propane gas supply line for leaks. Always use two wrenches to tighten or loosen the propane gas supply line connections.
- Make sure the electrical installation obeys all applicable codes. See “Certification and Code Requirements” section.
- Do not bypass or change the refrigerator’s electrical components or features.
- Do not spray liquids near electrical outlets, connections, or the refrigerator components. Many liquids are electrically conductive and can cause a shock hazard, electrical shorts, and in some cases fire.
- The refrigerator cooling system is under pressure. Do not try to repair or to recharge a defective cooling system.
- The cooling system contains sodium chromate. The breathing of certain chromium compounds can cause cancer. The cooling system contents can cause severe skin and eye burns, and can ignite and burn with an intense flame. Do not bend, drop, weld, move, drill, puncture, or hit the cooling system.



The rear of the refrigerator has sharp edges and corners. To prevent cuts or abrasions when working on the refrigerator, use caution and wear cut resistant gloves.

Certification and Code Requirements

This refrigerator is certified by CSA International as meeting the latest edition of ANSI Z21.19 / CSA 1.4 standards for installation in mobile homes or recreational vehicles.

The refrigerator must be installed in accordance with this "Installation Manual" in order for the Norcold limited warranty to be in effect. In addition, the installation must conform to the following, as applicable:



Art01290



In the United States and Canada:

- Local codes, or in the absence of local codes, the National Fuel Gas Code, ANSI Z223.1/NFPA 54, the Natural Gas and Propane installation Code, CSA B149.1, ANSI A119.2 Recreational Vehicles Code, and CSA Z240 RV Series, Recreational Vehicles.
- A manufactured home (mobile home) installation must conform with the Manufactured Home Construction and Safety Standard, Title 24 CFR, Part 3280 [formerly the Federal Standard for Mobile Home Construction and Safety, Title 24 (part 280), and the current CSA Z240.4, Gas-equipped Recreational Vehicles and Mobile Housing.
- If an external power source is utilized, the appliance, when installed, must be electrically grounded in accordance with local codes or, in the absence of local codes, the National Electrical code, and ANSI/NFPA 70, or the Canadian Electrical Code, CSA C22.2. Parts 1 and 2.

All propane gas supply piping and fittings must obey local, state, and national codes about type and size. These components must also obey the current NFPA 1192 section 2-4, and in Canada with the current CAN 1-6.10 Standard.

Ventilation Requirements



The completed installation must:

- **Make sure there is sufficient intake of fresh air for combustion.**
- **Make sure the living space is completely isolated from the combustion system of the refrigerator.**
- **Make sure there is complete and unrestricted ventilation of the flue exhaust which, in gas mode, can produce carbon monoxide. The breathing of carbon monoxide fumes can cause dizziness, nausea, or in extreme cases, death.**
- **Make sure the refrigerator is completely isolated from its heat generating components through the correct use of baffles and panel construction.**

Certified installation needs one lower intake vent and one upper exhaust vent. Install the vents exactly as written in this manual. Any other installation method voids both the certification and the factory warranty of the refrigerator.

The bottom of the opening for the lower intake vent, which is also the service access door, must be even with or immediately below the floor level. This allows any leaking propane gas to escape to the outside and not to collect at floor level.

CSA International certification allows the refrigerator to have zero (0) inch minimum clearance at the sides, rear, top, and bottom. While there are no maximum clearances specified for certification, the following maximum clearances are necessary for correct refrigerator performance:

Bottom	0 inch min.	0 inch max.
Each Side	0 inch min	1/2 inch max.
Top	0 inch min.	1/4 inch max.
Rear	0 inch min.	1 inch max.

These clearances plus the lower and upper vents cause the natural air draft that is necessary for good refrigeration. Cooler air comes in through the lower vent, goes up around the refrigerator coils where it removes the excess heat from the refrigerator components, and goes out through the upper vent. If this air flow is blocked or decreased, the refrigerator will not cool correctly.

Each NORCOLD model is certified by CSA International for correct ventilation. Install only the certified vents that are listed in this manual.

Key Refrigerator Dimensions

	Height* (in.)	Width (in.)	Depth* (in.)	Total Volume (cu. ft.)	Freezer Volume (cu. ft.)	Net Weight (lb.)
N4104Axx	32 5/16	20 11/16	23 3/8	3.7	0.39	61
N4150Axx	49 1/16	20 11/16	22 7/8	5.3	0.88	85
N4141Axx	59 1/16	16 15/32	22 3/32	5.0	0.52	84

* Height dimension includes feet. Depth dimension includes the door.

Assemble the Enclosure for the Refrigerator

1. Use the table below, and associated figures, to determine the enclosure size.

Model	Height (in.)	Width (in.)	Depth (in.)	Door Depth "FC" (in.)
N4104Axx	32 1/2	20 13/16 min. to 20 15/16 max.	20 3/8 min.	3 1/16
N4150Axx	49 3/16	20 13/16 min. to 20 15/16 max.	19 7/8 min.	3 1/16
N4141Axx	59 3/16	16 5/8 min. to 16 3/4 max.	21 1/16 min	

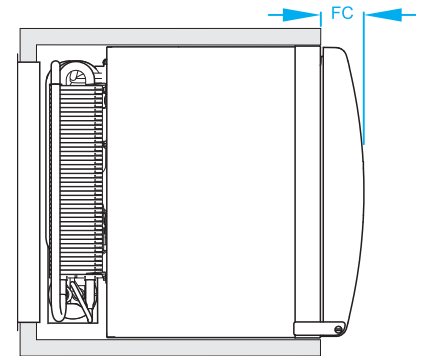
2. Make sure the floor is solid and level.

- The floor must be metal or a wood panel and extend the full width and depth of the enclosure.
- The floor must be able to support the weight of the refrigerator and its contents.
- The Minimum distance between the bottom of the enclosure and the floor is 12mm. (N4141Only)

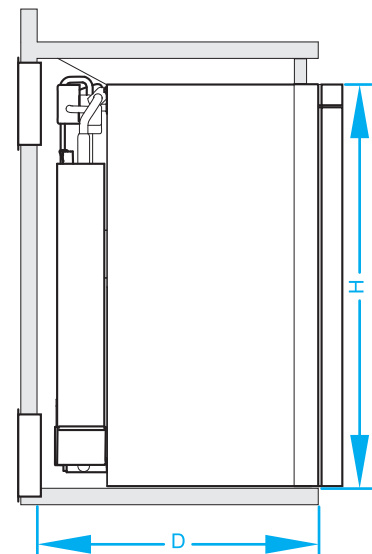
3. Make sure there are no adjacent heat sources such as a furnace vent, a hot water heater vent, etc.

4. If there is more than 1/2 inch between either side of the refrigerator and the inside of the enclosure:

- Fill the space with fiberglass insulation or add a baffle to eliminate the excess clearance.
 - Make sure that the batt-type insulation extends from the enclosure face, to the combustion seal at the rear of the refrigerator cabinet.
 - Securely attach the batt-type insulation to the enclosure so that it remains in this position during refrigerator installation, if it becomes wet, and in windy conditions.



Art02343



Art02344

Install the Lower and Upper Vents

1. Using the following chart, decide which vents and rough opening (RO) sizes to use:

Certified Vent	P/N	RO Height	RO Width	Overall Vent Size
Upper Roof Exhaust Cap	622293	N/A	N/A	10½ in. x 33 in.
Upper Roof Exhaust Vent	616319	24 in.	5 1/4 in.	7 7/16 in. x 26 7/32 in.
Large Vent (3 Louver)	621156xx	13 ¾ in.	21 ½ in.	16 15/32 in. x 24 7/32 in.
Large Vent (10 Louver)	690136xx	9 13/16 in.	19 5/16 in.	11 1/16 in. x 21 in.
Small Vent	633588xx	6 5/32 in.	17¼ in.	7 11/32 in. X 19 1/32 in.
Universal Upper and Lower Vent	620505xx	6 3/16 in.	17 13/16 in.	8 5/32 in. X 19 5/8 in.
N4141 ONLY	691100xx (690577 & 690680)	9 in.	15 3/4 in.	10 1/8 in X 17inches

Install the vents exactly as described. Any other method will invalidate the warranty for the refrigerator.

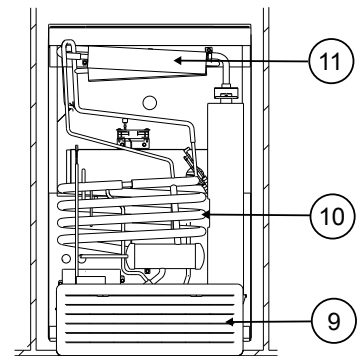
NOTICE 2. Install the lower intake vent (See Art02337, Art02338, and Art02339):

The lower intake vent is also the service access opening for the components on the rear of the refrigerator.



Make sure the bottom of the opening of the lower intake vent is even with or immediately below the floor level. This allows any leaking propane gas to escape to the outside and not to collect at floor level.

- Make sure the bottom of the opening of the lower intake vent [9] is even with or immediately below the floor level.
- Align the lower intake vent vertically below the coils [10] and the condenser [11] of the refrigerator.



Art02339

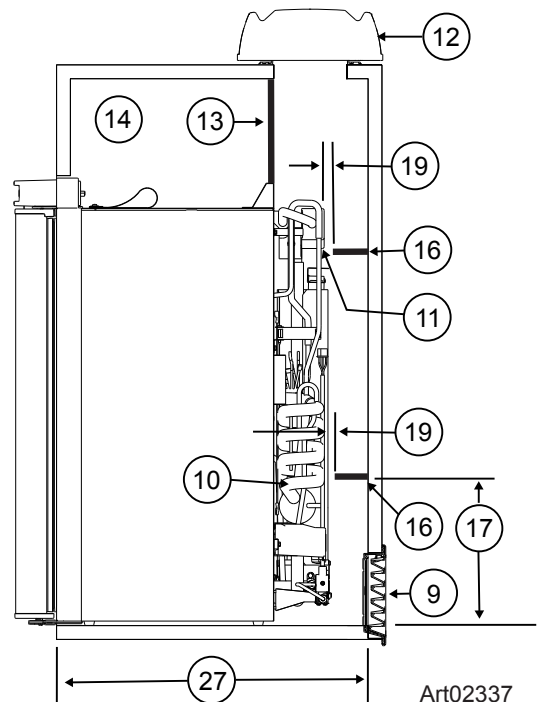
3. Install the upper exhaust vent:



Make sure that no sawdust, insulation, or other construction debris is on the refrigerator or in the enclosure. Debris can cause a combustion hazard and prevent the refrigerator from operating correctly.

NOTICE Tighten the screws of the upper roof exhaust cap to 10 inch-pounds max. Also make sure that the air flow around the upper roof exhaust cap is not blocked or decreased by other roof mounted features such as a luggage carrier, an air conditioner, a solar panel, etc.

- If the design of the vehicle allows, install the roof exhaust vent [12] directly above the condenser [11] of the refrigerator (See Art02337):
 - Install a baffle [13] to prevent stagnant hot air in the area [14] above the refrigerator.



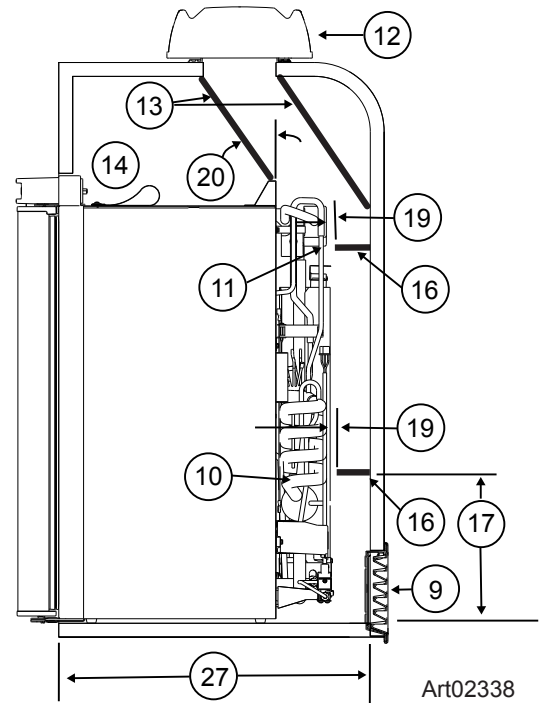
Art02337

- Make sure the baffle is the full width of the inside of the enclosure.



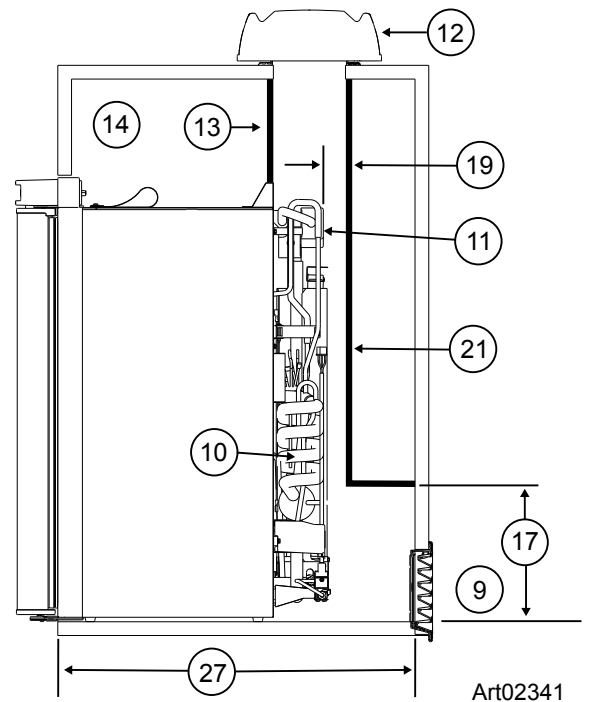
The front baffle [13] completes the combustion seal at the top of the refrigerator. Make sure that the baffle is sealed around all edges (against the top edge of the refrigerator, against the enclosure side walls, and against enclosure ceiling in front of the vent). See also section entitled “Combustion Seal”.

- If the design of the vehicle does not allow you to install the roof exhaust vent directly above the condenser [11] of the refrigerator (See Art02338):
 - Align the roof exhaust vent [12] above the condenser [11] of the refrigerator and move it inboard as necessary.
 - Install two baffles [13] to prevent stagnant hot air in the area [14] above the refrigerator.
 - Make sure the baffles are the full width of the inside of the enclosure.
 - Make sure that the baffles are no more than 45° from vertical [20].
 - Put one baffle between the top rear edge of the refrigerator and the inside edge of the upper exhaust vent opening.



The front baffle [13] completes the combustion seal at the top of the refrigerator. Make sure that the baffle is sealed around all edges (against the top edge of the refrigerator, against the enclosure side walls, and against enclosure ceiling in front of the vent). See also section entitled “Combustion Seal”.

- Put the other baffle between the outside edge of the upper exhaust vent opening and the side wall of the vehicle.
- If the depth of the enclosure is 20 3/8 inches or more and is less than 21 3/8 inches [27], no baffles are necessary at the rear of the enclosure.



- If the depth of the enclosure is 21 3/8 inches or more and is less than 22 3/8 inches [27], add two baffles [16] to the rear of the enclosure (See Art02337 and Art02338).

- For model N4104, put one baffle 10 inches above the bottom of the enclosure [17], or at the top of the lower intake vent opening, whichever is higher.

- For model N4150, put one baffle 12 inches above the bottom of the enclosure [17], or at the top of the lower intake vent opening, whichever is higher.

- Put the other baffle at the lowest edge of the condenser [11] of the refrigerator.

- Make sure that the baffles are 1 inch or less [19] from the coils [10] and condenser [11] of the refrigerator.

- Make sure that the baffles are the full width of the inside of the enclosure.

- If the depth of the enclosure is more than 22 3/8 inches [27], install a wood or an aluminum or galvanized sheet solid box baffle [21] in the rear of the enclosure (See Art02341 and Art02342).

- Make sure that the horizontal bottom of the solid box baffle is even with or above the top edge of the lower exhaust vent [9].

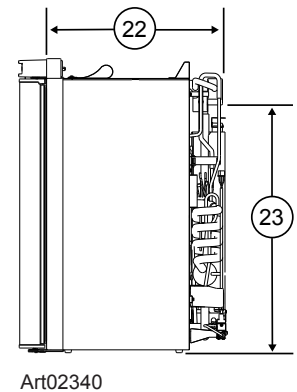
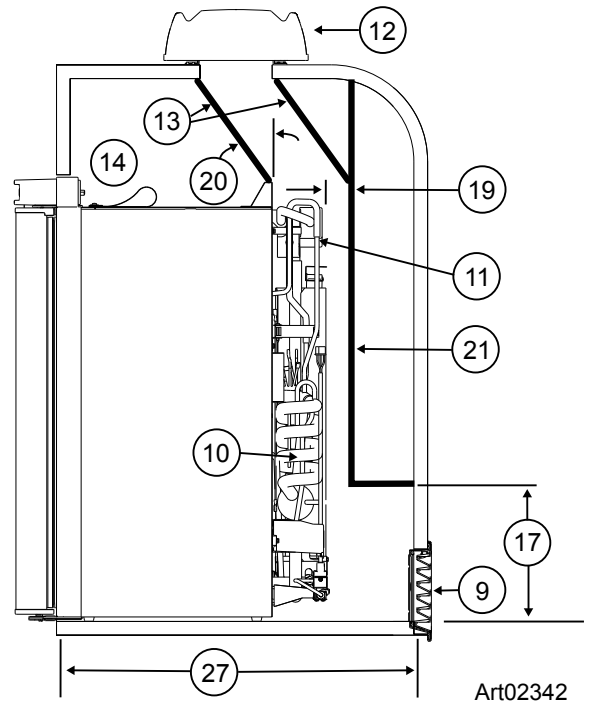
- Make sure that distance from the enclosure floor to the vertical bottom edge of the solid box baffle [17] is 10 in. for N3104 models and 12 in. for N3150 models.

- Make sure that the back of the solid box baffle is perpendicular to the bottom of the enclosure.

- Make sure that the back of the solid box baffle is either against the top of the enclosure or against the angled baffle [13] (depending on the vehicle design).

- Make sure that the solid box baffle is one inch or less [19] from the coils [10] and condenser [11] of the refrigerator.

- Make sure that the solid box baffle is the full width of the inside of the enclosure.



- If the design of the vehicle does not allow you to install a roof exhaust vent, install an upper side-wall exhaust vent.

NOTICE

The distance from the front of the breaker to the rear of the condenser [22] (See Art02340) is 19 11/32 in. for N4104 and 19 1/16 for N4150. For the N4141 it is 19 5/8 inches.

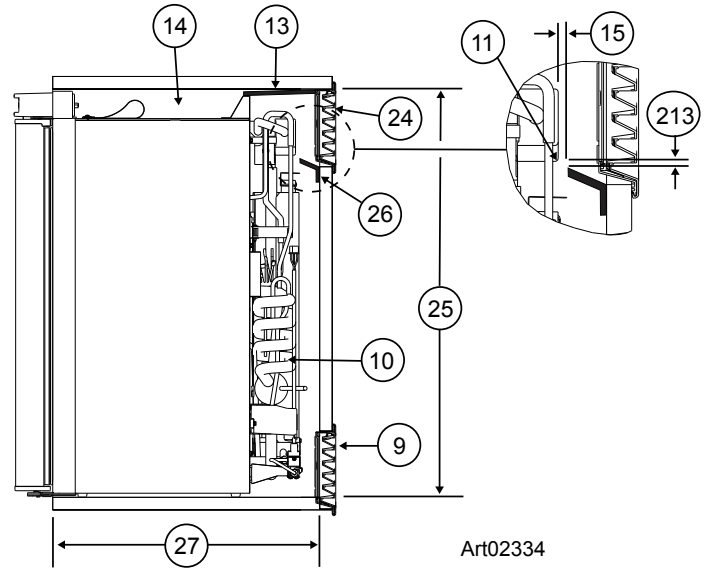
NOTICE

The distance from the bottom of the refrigerator (including feet) to the bottom of the condenser [23] (See Art02340) is 27 1/4 in. for N4104 and 42 9/16 for N4150. For the N4141 it is 53 1/4 inches.

CAUTION

Only use an upper side-wall exhaust vent on refrigerator models that are equipped with a fan. If you use an upper side wall exhaust vent on a refrigerator model that is not equipped with a fan, the refrigerator cooling performance will be poor.

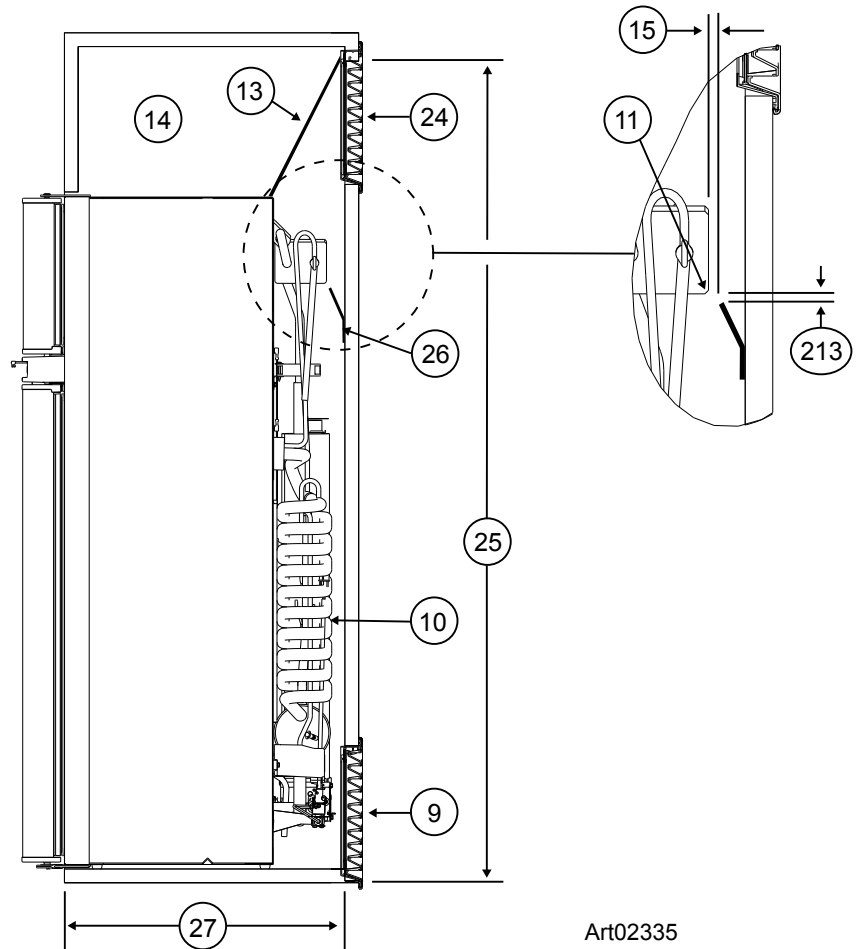
- Make sure the refrigerator model is equipped with a fan.
- Install the upper side-wall exhaust vent [24] (See Art02334 and Art02335).
 - Make sure the distance [25] from the bottom of the enclosure to the top of the rough opening for the upper exhaust vent is at least 32 1/2 in. for N3104 and 49 3/16 for N3150.
 - Make sure the distance [25] from the bottom of the enclosure to the top of the rough opening for the upper exhaust vent is at least 64 in. for N3141
- Align the upper exhaust vent [24] horizontally above the lower intake vent [9] of the refrigerator.
- To prevent stagnant hot air in the area above the refrigerator [14], install an aluminum or galvanized steel sheet baffle [13] between the top of the refrigerator and the top of the upper exhaust vent.
 - Make sure the baffle is the full width of the inside of the enclosure.



Art02334

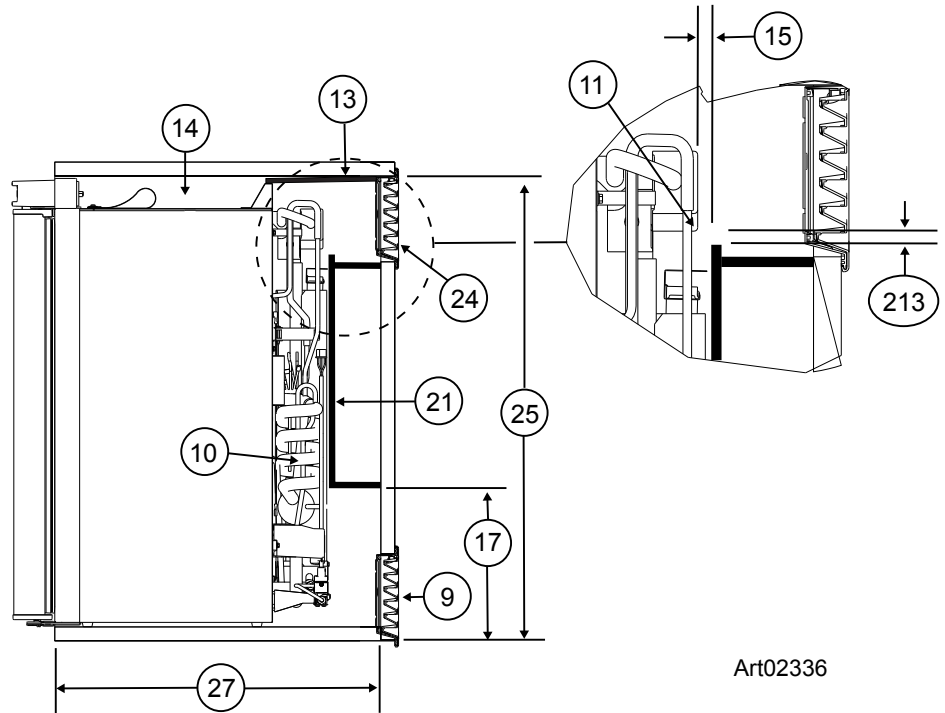
WARNING

The top baffle [13] completes the combustion seal at the top of the refrigerator. Make sure that the baffle is sealed around all edges (against the top edge of the refrigerator, against the enclosure side walls, and against vehicle wall or enclosure ceiling above the vent). See also section entitled "Combustion Seal".



Art02335

- When using an upper side-wall exhaust vent:
 - If the depth of the enclosure is 20 3/8 inches or more and is less than 22 3/8 inches [27], install a bent aluminum or galvanized steel sheet baffle [26] to the rear of the enclosure (See Art02334 and Art02335).
 - If the depth of the enclosure (for N4141) is 21 1/16 inches or more and is less than 23 1/16 inches [27], install a bent aluminum or galvanized steel sheet baffle [26] to the rear of the enclosure (See Art02334 and Art02335).
 - Make sure that the bend of the baffle is the full width of the inside of the enclosure.
 - Make sure that the bend of the baffle is even with or below the bottom edge of the upper intake vent door frame.
 - Make sure that the top edge of the baffle is between 1/4 inch [213] below the condenser and 1 1/2 inches above the bottom of the condenser and that there is 1/4 inch or less clearance [15] between the rear of the condenser and the baffle.
 - For the best cooling performance, the baffle should be 1/4 inch below the bottom of the condenser.



Art02336

- If the depth of the enclosure is more than 22 3/8 inches [27], install a wood or an aluminum or galvanized steel sheet solid box baffle [21] between the lower intake vent and the upper exhaust vent (See Art02336).
- If the depth of the enclosure is more than 23 1/16 inches (For N4141) [27], install a wood or an aluminum or galvanized steel sheet solid box baffle [21] between the lower intake vent and the upper exhaust vent (See Art02336).
 - Make sure that the solid box baffle is the full width of the inside of the enclosure.
 - Make sure that the horizontal bottom of the solid box baffle is even with or above the top edge of the lower exhaust vent [9].
 - Make sure that distance from the enclosure floor to the vertical bottom edge of the solid box baffle [17] is 10 in. for N4104 and 12 in. for N4150 and 21 in. for N4141.
 - Make sure that the back of the solid box baffle is perpendicular to the bottom of the enclosure.
 - Make sure that the horizontal top of the solid box baffle is even with or below the bottom edge of the upper exhaust vent [24].
 - Make sure that the vertical top edge of the baffle is between 1/4 inch [213] below the condenser and 1 1/2 inches above the bottom of the condenser.
 - Make sure that there is 1/4 inch or less clearance [15] between the rear of the condenser and the baffle.

Reverse the Door Swing (optional)

NOTICE

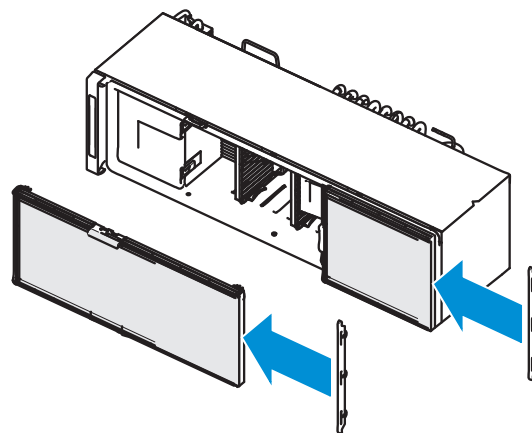
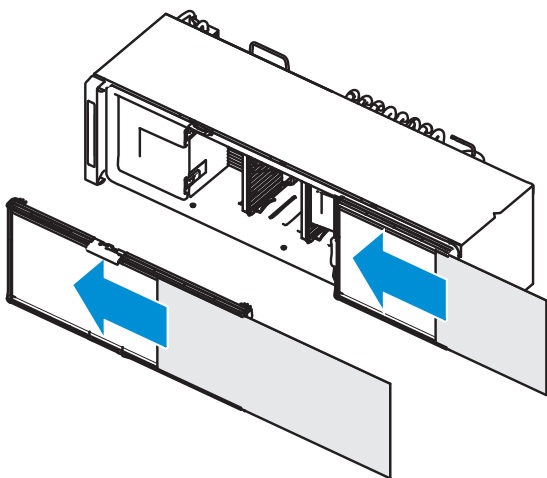
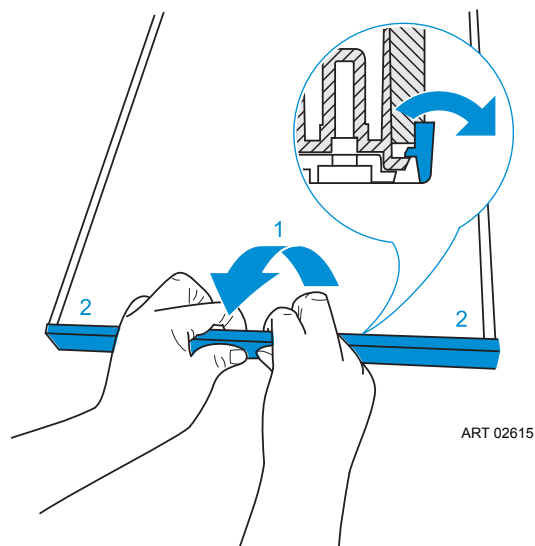
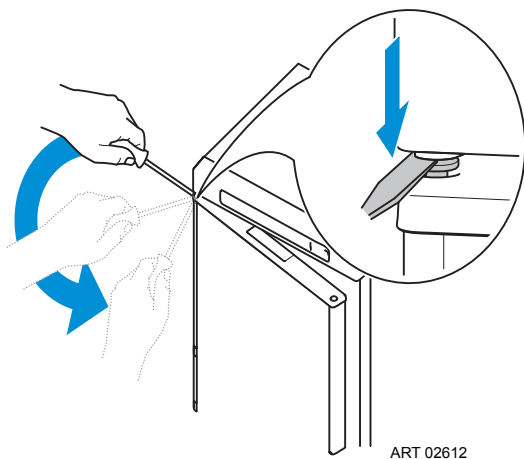
N4000 series refrigerators are designed so that door swing can be reversed in the field, using kits that can be purchased separately. Door swing reversal should be done before installing the refrigerator in the vehicle.

Install Door Panels - N4141

NOTICE

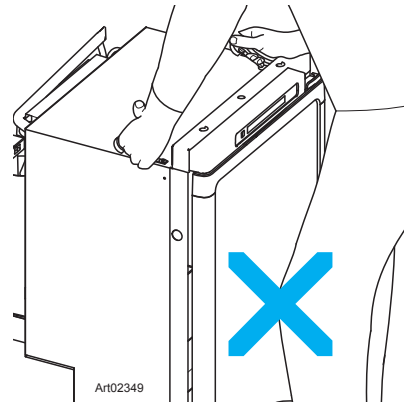
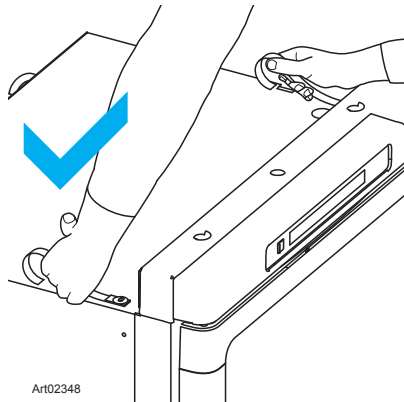
The doors are made to accept decorative panels. The decorative panels must be 0.12 inches or less in thickness. Install the decorative door panels in the refrigerator doors and drawers before installing the refrigerator in the vehicle.

1. To make a door panel for a flat cabinet, the panel needs to be 15.47inches wide x 37.40inches high.
2. To make a door panel for a flat drawer, the panel needs to be 15.47inches wide x 17.83inches high.
3. Install the decorative panels:
 - Remove door from refrigerator. (See Art02612)
 - Remove panel retainer. (See Art02615)
 - Pull and rotate the panel reatiner. Rotate the middle, then the left and right side.
 - Slide panels in the door and drawer.(See Art02613)
 - Click the panel retainers in place. (See Art02614)
 - Place door back onto the refrigerator.



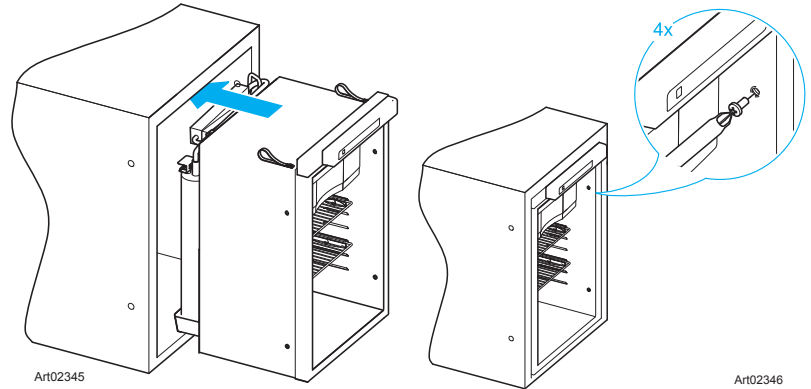
Handling

Only carry the refrigerator at the strap handles on top (1), if equipped. Do not use your knee to lift the refrigerator (2).



Install the Refrigerator

- Push the refrigerator completely into the enclosure.
- Use screws to fix the refrigerator, and the white caps for finishing.
 - For the N4104, 4 screws and 4 white caps are supplied.
 - For the N4150, 6 screws and 6 white caps are supplied.
 - For the N4141, 6 screws and 6 white caps are supplied.

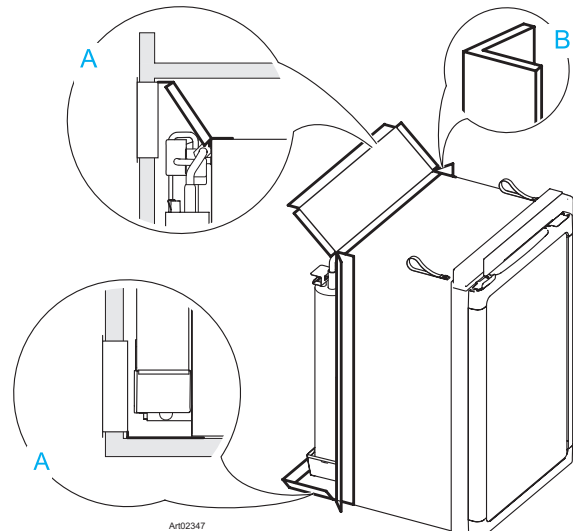


Combustion Seal

Position sealing as shown in the figure.

Fix the strips to the sides of the refrigerator (B) in a vertical direction at the rear of the refrigerator.

Fix the upper and lower flap of the combustion sealing (A) as the drawing shows.



NOTICE

Upper flap (A) may have already been installed as a ventilation baffle. See also section entitled "Install the Lower and Upper Vents", Step 3.

The sealing area must be separated air-tight from the living area.



If the combustion seals are not being used or fail to seal properly in the unit, use a different kind of sealing to keep hazardous combustion gases out of the living area of the vehicle. If the seal is not complete, exhaust fumes can be present in the living area of the vehicle. The breathing of exhaust fumes can cause dizziness, nausea, or in extreme cases, death.

Connect the Electrical Components

AC Operation, 120 volts AC voltage (132 volts max. - 108 volts min.)

DC Operation, 12 volts DC control voltage (15.4 volts max. - 10.5 volts min.)

This refrigerator operates on these electrical sources. Operation out of these limits may damage the refrigerator's electrical circuit parts and will void the warranty.



The rear of the refrigerator cooling system has hot surfaces and sharp surfaces that can damage electrical wiring. Make sure that there is a good clearance between all electrical wiring and the cooling system of the refrigerator. Position any electrical wiring within the refrigerator enclosure opposite the burner side of the refrigerator. Do not put any electrical wiring through the roof exhaust vent. Failure to correctly position electrical wiring can result in electrical shock or fire.

Connect the 120 volts AC supply



Connect the AC power cord(s) only to a grounded three-prong receptacle. Do not remove the round ground prong from any of the AC power cords. Do not use a two prong adapter or an extension cord with any of the AC power cords. Operation of the refrigerator without correct ground can cause dangerous electrical shock or death if you are touching the metal parts of the refrigerator.

Plug the AC power cord(s) into a grounded three-prong receptacle:

- Make sure the receptacle is positioned within easy reach of the lower intake vent.
- Make sure the power cord(s) does not touch the burner cover, the flue pipe, or any hot component that could damage the insulation of the power cord.

Connect the 12 volts DC supply

As the distance from the vehicle battery to the refrigerator increases, the correct AWG wire size and fuse size also increases. If the wire size is too small for the distance, a voltage drop occurs. The voltage drop decreases the output of the system heater and causes poor cooling performance.



If you use an incorrect wire size and/or fuse size, electrical fire can result.

1. Determine the min. wire size and the max. fuse size to use:

- Measure the distance from the vehicle battery to the refrigerator.
 - If the distance is 0 - 20 feet, use a minimum of 10 AWG wire and a maximum 30 Amp fuse.
 - If the distance is over 20 feet, use a minimum of 8 AWG wire and a maximum 40 Amp fuse.
 - If the wire size is larger than the min. size, use the correct fuse per RVIA A119.2 standard or local codes.

2. Install a fuse in DC power supply wires between the battery and the refrigerator:

- Put fuse as close to the battery as possible.

3. Connect the DC power supply wires:

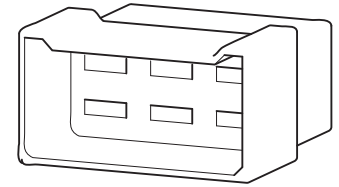
These models have 2 connection points to prevent the battery from being discharged by the refrigerator when the engine is not running.

High current supply red cable (+) and white cable (-) for heating element. Only turned on if signal on D+

Low current supply purple (+) and black (-) for electronics.

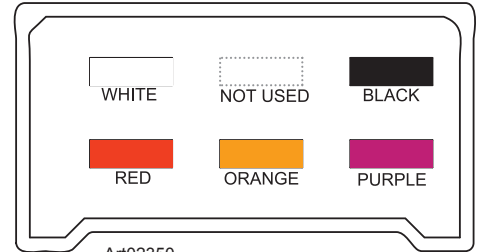
D+ signal orange, + when engine runs

Use Stocko / Tyco / Amp 6-pole housing, or equivalent, with Lear connectors, or equivalent, wired as shown.



Art02370

TYCO / AMP 180906



Art02350

TYCO / AMP 280314

NOTICE

Do not use the chassis of the refrigerator or the vehicle frame as one of the conductors. Attach the DC power supply wires only to the battery and the DC power cord of the refrigerator.

Connect the Electrical Components- 2-way Option

When the 2-way option is connected, the 12V DC power supply will be deactivated and only the gas and AC power supply are available. To use the 2-way option, connect the wiring according to this diagram. (See Art02752) The 12V connector to the power control board is provided by Thetford. A cable bridge will need to be done by the OEM.

Connectivity

To connect the refrigerator to the central board of the vehicle, use the CI-bus protocol (please refer to: www.civd.de).



Any error message coming from the refrigerator and shown on the master display, should not disturb the driver. For example : lights and/or sounds coming from the master display while driving.



There is no load dump protection circuit present on the CI-bus refrigerator electronics. Thetford requires that a load dump circuit (which complies with the relevant regulations) is installed on the CI-bus master if the refrigerator is connected to the CI-bus.

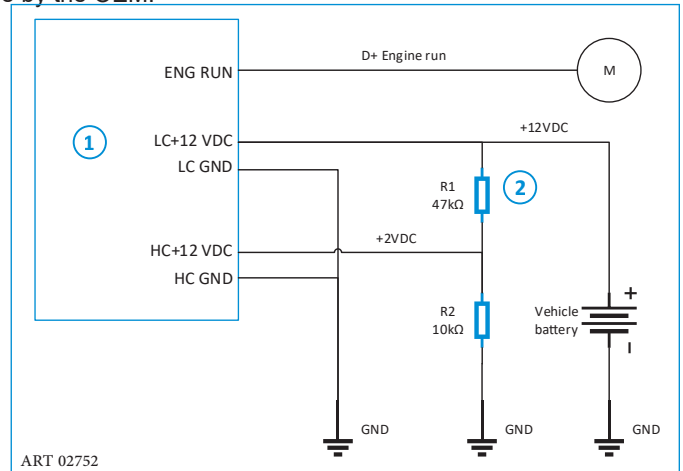
The CI-bus connection point is located at the rear of the refrigerator. (See Art02753)

NOTICE

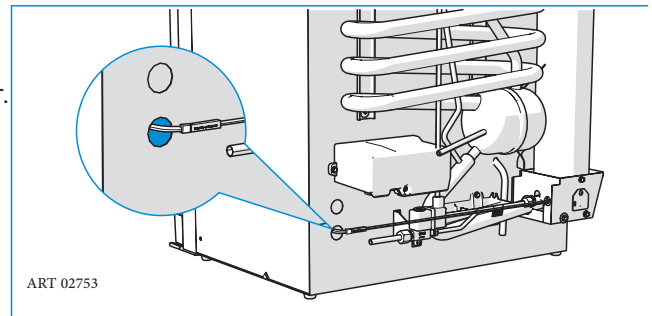
CI-Bus connection is not available for models with a battery pack.

CI-bus connector plug on refrigerator:(See Art02755)
Mini-Fit Jr. connector (male) supplier Molex PN 39012020, cable length; 90mm.

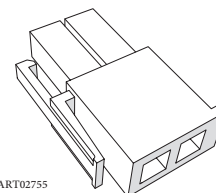
CI-bus vonnector plug counter part: (See Art02754)
Mini-Fit Jr. Mini Fit Jr. Connector (female) supplier olex, Pn 39012021



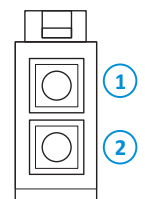
ART 02752



ART 02753



ART02755



ART02754

Connect the Propane Gas Components

This refrigerator operates on propane gas at a pressure of 11 inches Water Column Propane.

The controls operate on 12 volts DC (10.5 volts min. - 15.4 volts max.). Operation out of these limits can damage the refrigerator electrical circuit parts and will void the warranty.

Connect the propane gas supply system:



Be very careful when working on or near the propane gas system.

- Do not smoke, or use an open flame near the propane gas system.
- Do not use an open flame to examine for leaks.
- Do not connect the refrigerator to the propane gas tank without a pressure regulator between them.
- To avoid a propane gas leak, always use two wrenches to tighten or loosen the propane gas supply line connections.
- Leaking propane gas leak can ignite or explode and result in dangerous personal injury or death.

Connect the gas supply line to the refrigerator:

- Make sure that all tubing and fittings obey all local, state, and national codes about size and type.
- Make sure that all flexible metal connectors obey the current CAN1-6.10 Standard.
- Make sure that the materials used for the gas supply line obey both the current ANSI A 119.2 (NFPA 1192) and CSA Z240 Standards on Recreational Vehicles. Norcold recommends the use of 3/8 inch copper tubing as the gas supply line and requires a 3/8 inch SAE (UNF 5/8-18) male flare fitting as the connection to the refrigerator.
- Put the propane gas supply line up through the floor of the enclosure.
- Make sure the hole through the floor is large enough allow clearance for the gas supply line.
- Put a weather resistant seal (grommet, sealant, etc.) around the gas supply line where it goes through the floor to prevent vibration and abrasion.
- To prevent vibration and abrasion, make sure that the gas supply line is not against anything in the enclosure.
- Attach the gas supply line to the bulkhead fitting of the refrigerator.

Examine the gas supply system for leaks:



Do not allow the leak detecting solution to touch the electrical components. Many liquids are electrically conductive and can cause electrical shorts and in some cases, fire.

Use a leak detecting solution to examine the gas supply line and all propane gas connections for leaks. If you use compressed air for the test:

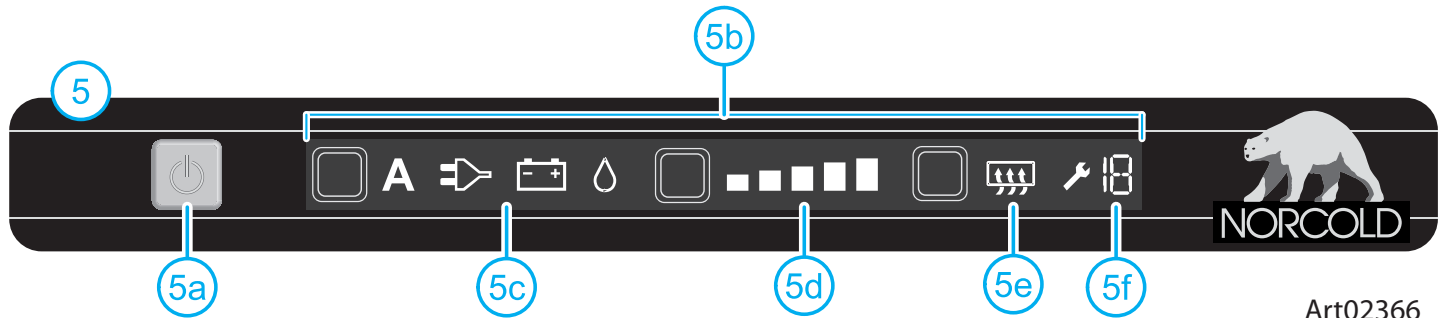
- The pressure of the compressed air at the manual shut off valve of the refrigerator must not be more than 1/2 psig (14 inches Water Column).
- If the pressure of the compressed air is more than 1/2 psig (14 inches Water Column), remove the gas supply line from the bulkhead fitting of the refrigerator before the test.
- If the pressure of the compressed air is equal to or less than 1/2 psig (14 inches Water Column), close the manual shut off valve of the refrigerator before the test.

Ignition and Start Up

Before ignition or start up of the refrigerator:

- Make sure the air flow in the lower intake vent, through the refrigerator coils and condenser, and out the upper exhaust vent is not blocked or decreased.
- Make sure there are no combustible materials in or around the refrigerator.

Control Panel with Touchscreen





Art02366

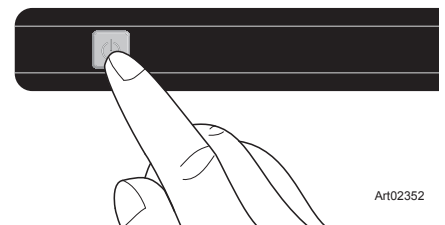
Control panel with LCD touchscreen.....	5
On/off switch.....	5a
Touchscreen.....	5b
Mode symbols.....	5c
Cooling level indicators.....	5d
Symbol 'anti-condensation' (only for model N4150).....	5e
Error code.....	5f

Removing Air From the Propane Gas Supply Lines

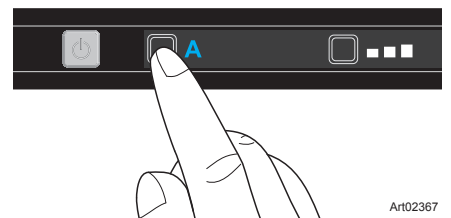
For safety reasons, the burner is made to ignite on propane gas within a specified amount of time. When starting the refrigerator for the first time, after storage, or after replacing propane gas tank, the propane gas supply lines can have air in them. Due to the air in the gas supply lines, the burner may not ignite on propane gas within the specified amount of time.

To remove the air from the propane gas supply lines:

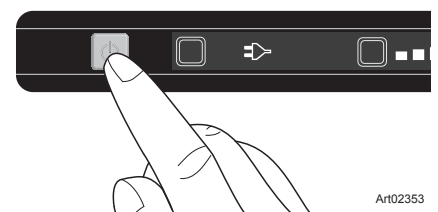
- Make sure that all of the gas valves are open.
- To turn the refrigerator on, push the on/off switch and hold it for 1 second, as illustrated. A light in the on/off switch will turn green.
- Push the source button several times, as illustrated. Push until the flame  appears on the display. This means that the refrigerator is operating on propane gas.
- The refrigerator will start a 30 second trial for ignition. During the 30 second trial for ignition, the refrigerator controls open the gas safety valve and the igniter sparks. After 30 seconds, the refrigerator controls close the gas safety valve and the igniter stops sparking.
- If the air in the propane gas supply lines prevents the burner from ignition on propane gas, the fault code  **3** will appear in the center display.
- Push the on/off switch, as illustrated, and hold it for 2 seconds to turn the refrigerator off. All lights will go out.
- To start another trial for ignition, push the on/off switch and hold it for 1 second to turn the refrigerator on. A light in the on/off switch will turn green.
- The refrigerator will start another 30 second trial for ignition. During the 30 second trial for ignition, the refrigerator controls open the gas safety valve and the igniter sparks. After 30 seconds, the refrigerator controls close the gas safety valve and the igniter stops sparking.
- When the flame appears on the display and no fault code remains, this means that the refrigerator is operating on propane gas.



Art02352



Art02367




Art02353


For safety reasons, the burner is made to ignite on propane gas within a specified amount of time. When starting the refrigerator for


- At this time, all of the air is removed from the propane gas supply lines and you may select AUTO mode of operation if you wish.
- Depending on how much air may be in the propane gas supply lines, you may need to repeat the 30 second trial for ignition two or three times.
- If the burner does not ignite on propane gas after three attempts, refer to the “Troubleshooting” section of this manual; consult your local dealer or an authorized Norcold Service Center, if necessary.

Set the Controls to Automatic Mode Operation

Push the source button several times, as illustrated. Push until the desired source (A, ‘auto’) is selected and displayed. **A**

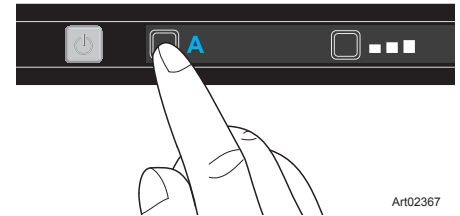
If the engine is running, DC mode will be selected and displayed. 

If the engine is not running, and 120 volts AC is available to the refrigerator, AC mode will be selected and displayed. 

If the engine is not running, and 120 volts AC is NOT available to the refrigerator, gas mode will be selected and displayed. 

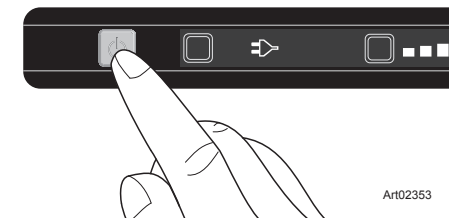
If the gas does not ignite after several attempts, refer to the “Troubleshooting” section of this manual.

If the ‘auto’ function on the refrigerator is selected, but no source is available, a light in the on/off switch blinks red.



Turn Refrigerator Off

Before defrosting the refrigerator or storing your vehicle, turn the refrigerator off. Push the on/off switch, as illustrated, and hold it for 2 seconds to turn the refrigerator off. All lights will go out.



NOTICE

If storing the vehicle for an extended period of time, make sure to disconnect the fan at the rear of the refrigerator, as explained in section entitled “Refrigerator Storage”.

Remove the Refrigerator

Your dealer or Norcold authorized service center must do this procedure.



The rear of the refrigerator has sharp edges and corners. To prevent cuts or abrasions when working on the refrigerator, be careful and wear cut resistant gloves.

1. Close the valve at the propane gas tank(s).



To avoid possible propane gas leaks, always use two wrenches to loosen and tighten the gas supply line connections.

2. Open the lower intake vent, and remove the refrigerator AC power cord from the receptacle.

3. Remove the DC wiring from the refrigerator:

- Remove the DC fuse or remove the DC wiring from the battery or the converter.
- Remove the refrigerator DC power cord from the vehicle wiring plug.

4. Remove the gas supply line from the bulkhead fitting of the refrigerator.

5. Remove the white plastic plugs from the sides of the refrigerator interior.

6. Remove the screws from the sides of the refrigerator interior.

7. Remove the refrigerator from the opening.



Manuel d'installation et d'utilisation

Série N4000-A avec écran tactile

AVERTISSEMENT

RISQUE D'INCENDIE OU D'EXPLOSION

Si vous sentez du gaz:

1. Ouvrez Windows
2. N'essayez pas d'allumer l'appareil et assurez-vous que l'appareil est en position d'arrêt.
3. Éteignez toute flamme nue
4. Ne touchez pas aux interrupteurs électriques.
5. N'utilisez pas d'appareils électroniques tels que des téléphones portables ou des téléphones fixes.
6. Évacuez le bâtiment ou le véhicule récréatif.
7. Coupez l'alimentation en carburant au niveau du réservoir de GPL
8. Appelez les services d'urgence.

Le non-respect de ces instructions peut entraîner un incendie ou une explosion, ce qui peut entraîner des dommages matériels, des blessures corporelles ou la mort.

AVERTISSEMENT

Une installation, un réglage, une modification, un entretien ou une maintenance incorrects peuvent entraîner des blessures ou des dommages matériels.

POUR VOTRE SÉCURITÉ

N'entreposez pas et n'utilisez pas d'essence ou d'autres vapeurs et liquides inflammables à proximité de cet appareil ou de tout autre appareil.

AVERTISSEMENT

L'EMPOISONNEMENT AU MONOXYDE DE CARBONE PEUT CAUSER LA MORT OU DES BLESSURES.

Lorsqu'il est utilisé sans air de combustion et de ventilation adéquats, le réfrigérateur peut dégager un excès de MONOXYDE DE CARBONE et un gaz toxique inodore. Il s'agit d'un appareil à gaz non ventilé. Le réfrigérateur utilise l'air (oxygène) de la zone dans laquelle le réfrigérateur est utilisé.

Table des matières

Manuel d'utilisation	3
Signalisation de la sécurité.....	3
Consignes relatives à la sécurité.....	3
Le réfrigérateur.....	4
Composants de réfrigérateur	4
Volume d'entreposage	4
Mise à niveau	5
Fonctionnement en cours de déplacement	5
Usage du compartiment réfrigérateur	5
Déplacement des clayettes d'entreposage	5
Déplacement des bacs de porte	5
Utilisation de la boîte coulissante N4141	5
Utilisation du tiroir N4141	6
Compartiment congélateur	6
Tableau de commande avec écran tactile	6
Mise en marche du réfrigérateur	6
Élément chauffant anticondensation	6
Sélection d'une source d'énergie	7
Sources d'énergie	7
Sélection du niveau de refroidissement	7
Mise à l'arrêt du réfrigérateur	7
Système de commande de température	8
Effets de l'altitude élevée sur le fonctionnement au gaz propane	8
Effets des températures de congélation sur le fonctionnement du réfrigérateur	8
Liste de contrôle de l'état du réfrigérateur	8
Dégivrage	9
Nettoyage.....	9
Sortie du système de boîte coulissante.....	10
Sortie du tiroir.....	10
Vérification du joint des portes	10
Entreposage du réfrigérateur	11
N3141 Verrou de rangement	11
Liste de contrôle de l'entretien du réfrigérateur	12
Entretien du réfrigérateur	12
Apparence de la flamme de gaz	12
Retrait et nettoyage de la buse du brûleur	13
Graphique et schéma de câblage	14
Pièces de rechange	15
Dépannage	15
Questions fréquemment posées	15
Manuel d'installation	16
Signalisation de la sécurité	16
Consignes relatives à la sécurité.....	16
Certification et codes à respecter	17
Consignes relatives à la ventilation	17
Dimensions importantes du réfrigérateur	18
Assemblage de l'enceinte destinée au réfrigérateur	18
Installation des bouches de ventilation supérieure et inférieure	19
Inversion du pivotement de la porte (en option)	23
Installation des panneaux de porte — Modèle N4141	24
Manutention	25
Installation du réfrigérateur	25
Joint de combustion	25
Connexion des composants électriques	26
Branchement à l'alimentation 120 V c.a.	26
Branchement à l'alimentation 12 V c.c.	26
Connecter les composants électriques - Option bidirectionnelle	27
Connectivity	27
Branchement des éléments du gaz propane	28
Raccordement du système d'alimentation en gaz propane	28
Branchement du tuyau d'arrivée de gaz au réfrigérateur	28
Recherche de fuites dans le système d'arrivée de gaz	28
Allumage et mise en marche	29
Tableau de commande avec écran tactile.....	29
Purge d'air des tuyaux d'arrivée de gaz propane	29
Réglage des commandes pour le fonctionnement en mode automatique	30
Mise à l'arrêt du réfrigérateur	30
Retrait du réfrigérateur	30

Manuel d'utilisation

Signalisation de la sécurité

Lire soigneusement ce manuel et en assimiler le contenu avant d'utiliser le réfrigérateur.

Prendre conscience des risques pour la sécurité signalés par le symbole de mise en garde sur le réfrigérateur et dans ce manuel. Le symbole de mise en garde est suivi d'un terme précisant la nature du risque en question. Lire soigneusement la description de ces termes de signalement pour apprendre à les différencier. C'est une question de sécurité personnelle.



Ce terme de signalement indique un danger qui, s'il n'est pas pris en compte, peut causer une blessure grave, la mort ou d'importants dégâts matériels.



Ce terme de signalement indique un danger qui, s'il n'est pas pris en compte, peut causer une blessure légère ou d'importants dégâts matériels.

Consignes relatives à la sécurité



- Ne pas installer dans des applications marines sous le pont.
- Le rangement de produits inflammables derrière le réfrigérateur ou autour de celui-ci pose un danger d'incendie. Ne pas utiliser l'espace derrière le réfrigérateur pour ranger quoi que ce soit, en particulier les matériaux inflammables (essence, produits de nettoyage, etc.)
- Ne pas retirer le contact de terre rond des cordons d'alimentation c.a. Ne pas utiliser un adaptateur à deux lames ou une rallonge avec les cordons d'alimentation c.a.
- Si les fils et (ou) fusibles ne sont pas de la taille correcte, l'installation électrique peut prendre feu sous l'effet de la surcharge du circuit. Utiliser uniquement les fils et fusibles de la taille indiquée dans le « Manuel d'installation ».
- Une faute d'installation, de réglage, de modification ou d'entretien de ce réfrigérateur peut causer des préjudices corporels et (ou) matériels. En confier la réparation et l'entretien au concessionnaire ou à un centre de service après-vente agréé Norcold.
- Débrancher les sources d'alimentation en c.a. et c.c. avant d'intervenir sur le réfrigérateur. Toute opération d'entretien ou de réparation sur ce réfrigérateur doit être effectuée par un technicien qualifié.
- Ne pas contourner ou modifier les composants ou fonctions électriques du réfrigérateur.
- Lorsqu'un appareil ménager est mis au rebut, démonter toutes les portes pour éviter tout risque d'accident et de suffocation.
- Ne pas vaporiser de liquides près des prises électriques, des raccords ou des pièces du réfrigérateur. Nombre de liquides sont conducteurs et peuvent poser des risques de décharge électrique, de court-circuit, voire même d'incendie.
- Le système frigorifique du réfrigérateur est sous pression. Ne pas essayer de réparer ou recharger un système frigorifique défectueux. Le système frigorifique contient du chromate de sodium. L'inhalation de certains composés du chrome peut causer le cancer. Le système frigorifique contient des produits chimiques qui peuvent causer de graves brûlures à la peau et aux yeux, s'enflammer et brûler avec une flamme intense. Ne pas recourber, faire tomber, souder, déplacer, percer, perforer ou heurter le système frigorifique.
- S'assurer régulièrement de l'absence totale de matériaux inflammables et d'obstruction aux conduits de fumée, brûleur, bouches de ventilation et passages d'air de ventilation du réfrigérateur. Après un certain temps d'entreposage, il est particulièrement important de vérifier ces endroits pour repérer tout matériau inflammable ou toute obstruction causée par des animaux.

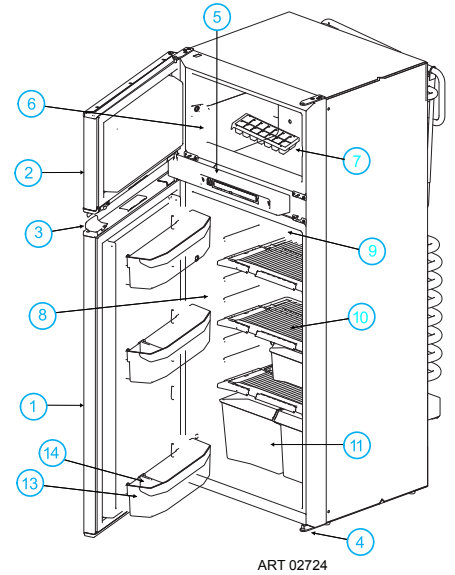
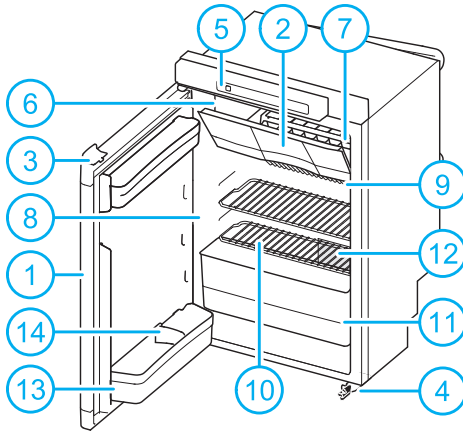


- L'arrière du réfrigérateur présente des arêtes vives et des angles coupants. Pour éviter de se couper ou de s'écorcher lors du travail sur le réfrigérateur, faire attention et porter des gants résistant aux coupures.

Le réfrigérateur

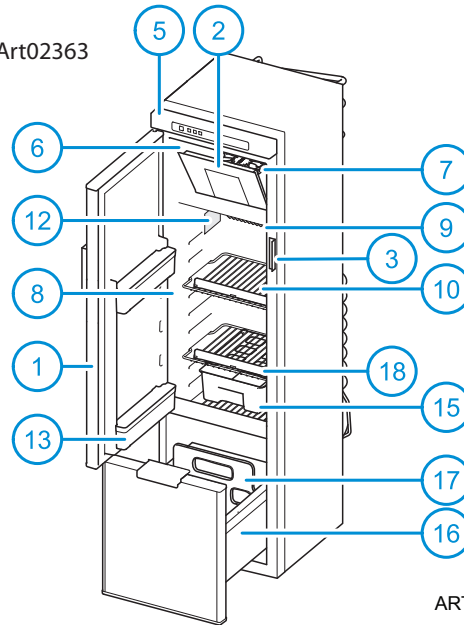
modèle N4104

modèle N4150



modèle N4141

Art02363



ART 02593

Composants du réfrigérateur

1.....	Porte du réfrigérateur
2.....	Porte du congélateur
3.....	Verrouillage de porte
4.....	Verrouillage de sécurité (en fonction du modèle)
5.....	Tableau de commande avec écran tactile à cristaux liquides
6.....	Compartment congélateur
7.....	Bac à glace
8.....	Compartment réfrigérateur
9.....	Ailettes de refroidissement
10.....	Clayettes d'entreposage
11.....	Bac à légumes
12.....	Étiquette signalétique
13.....	Bacs de porte
14.....	Cale-bouteilles
15.....	Boîte coulissante
16.....	Tiroir inférieur
17.....	Cale-bouteilles

Volume d'entreposage

Ce réfrigérateur est conçu pour l'entreposage d'aliments frais et congelés, ainsi que la fabrication de glaçons.

Capacité totale modèle N4104 - 3,7 pieds cubes modèle N4150 - 5,3 pieds cubes modèle N4141 - 5,0 pieds cubes

Mise à niveau :



Le réfrigérateur est conçu pour fonctionner avec une tolérance d'inclinaison de 3° dans l'axe latéral et de 6° dans l'axe longitudinal (vu de l'avant du réfrigérateur). S'il est plus incliné que cela durant son fonctionnement, cela pose des risques de préjudices corporels ou matériels, notamment au système frigorifique. S'assurer que le véhicule est de niveau avant de mettre le réfrigérateur en route.

Fonctionnement en cours de déplacement

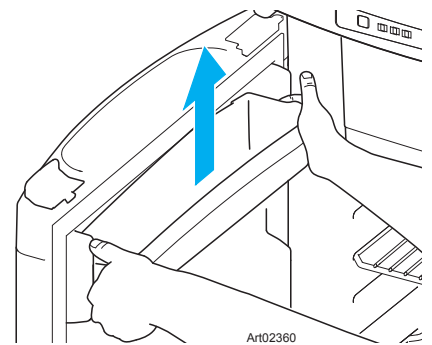
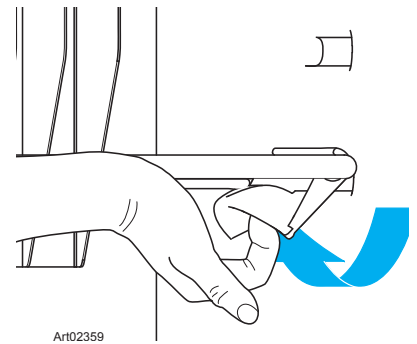
Alors que le réfrigérateur doit être à niveau quand le véhicule est arrêté, sa performance en cours de déplacement n'est généralement pas affectée.

Usage du compartiment réfrigérateur

La disposition du réfrigérateur peut être modifiée selon les besoins en déplaçant les clayettes d'entreposage et les bacs de porte. S'assurer que la porte se ferme toujours bien après avoir réarrangé les clayettes et les bacs.

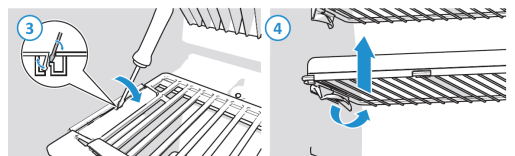
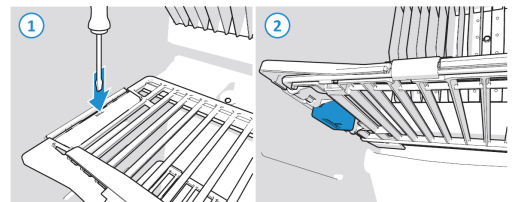
Déplacement des clayettes d'entreposage (Modèles N4141 et N4104 uniquement)

Retirer et conserver la vis se trouvant au-dessous de l'attache en plastique du côté droit de l'entreposage. Tourner l'attache en plastique vers le haut, comme illustré. Soulever légèrement le côté droit, et déplacer la clayette d'entreposage jusqu'à la position désirée. Placer d'abord le côté gauche de la clayette d'entreposage dans la paroi du réfrigérateur, puis le côté droit dans la rainure correspondante. Tourner l'attache en plastique vers le bas, et remettre la vis en place en dessous.



Déplacement des étagères de stockage (modèle N4150 uniquement)

Placez un outil avec une extrémité plate fermement à l'intérieur de l'ouverture ovale du clip (1). Tenez le bloc sous le clip avec votre main libre (2). (Voir Art02726) Éloignez doucement l'outil du mur du réfrigérateur (environ 30 degrés) tout en gardant son extrémité au bas de l'ouverture ovale (3). Après avoir retiré le bloc de sécurité, faites pivoter le clip vers le haut pour libérer l'étagère (4). Déplacez l'étagère de stockage dans la position souhaitée. Tournez le clip vers le bas jusqu'à ce que l'étagère s'enclenche. Placez le bloc au bas de l'étagère jusqu'à ce que vous entendiez un clic. (Voir Art02727)



Déplacement des bacs de porte

Extraire un bac de porte à deux mains de son dispositif de blocage, comme illustré. Remettre ce bac de porte dans la position désirée en l'enfonçant dans le dispositif de blocage.

Pour optimiser le refroidissement :

- Laisser l'air s'écouler librement dans tout le compartiment pour aliments.
- Ne pas recouvrir les clayettes de plastique, papier, etc.

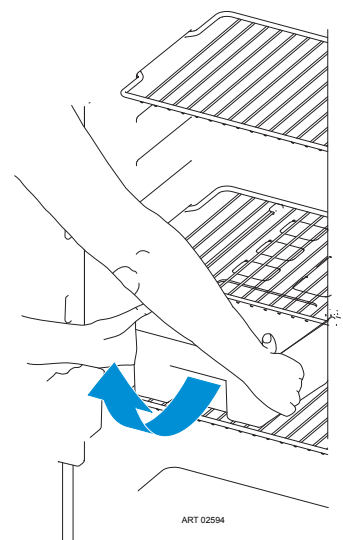
Pour minimiser la formation de gel sur les ailettes de refroidissement :

- Couvrir tous les liquides et aliments humides.
- Laisser tous les aliments chauds se refroidir avant de les placer dans le réfrigérateur.
- Ne pas laisser la porte ouverte plus que nécessaire.

Utilisation de la boîte coulissante — N4141

La boîte coulissante peut être utilisée en guise de plateau pour servir le petit-déjeuner ou le déjeuner. Sortir complètement la boîte en la faisant glisser et la placer directement sur la table.

Pour retirer la boîte coulissante, la tirer jusqu'à ce qu'elle bute. La soulever ensuite à l'avant, comme illustré [Art02594]. Il est alors possible de la sortir complètement.

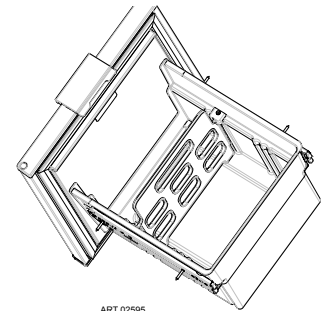


Utilisation du tiroir — N4141

Le tiroir est spécialement conçu pour la bouteille, les boîtes, les légumes et est divisé en deux compartiments par le support de bouteille. [Voir Art02595]

AVIS Le dispositif de retenue de la bouteille est fixé en position et ne doit pas être déplacé.

ATTENTION La capacité maximum de stockage du tiroir est de 33 livres



ART 02595

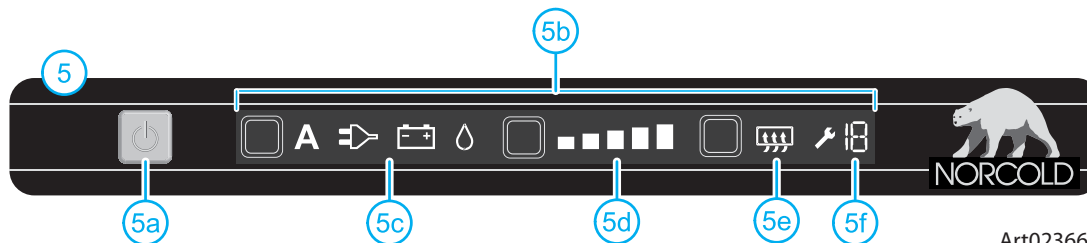
Compartiment congélateur

Le compartiment congélateur est fait pour le maintien à l'état congelé des aliments pré-congelés mais pas pour la surgélation d'aliments. Garder les aliments pré-congelés dans le compartiment congélateur.

AVIS Ne pas mettre d'autres articles sur le bac à glace pendant la formation des glaçons. L'eau gèle plus rapidement si le thermostat est à la position de température LA PLUS FROIDE.

AVIS Ne pas laver les bacs à légumes, les bacs de porte ou leurs glissières dans un lave-vaisselle. Ils ne sont pas prévus à cet effet.

Tableau de commande avec écran tactile



Art02366

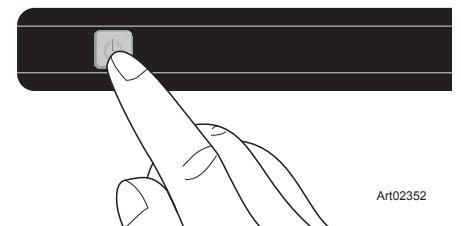
- 5..... Tableau de commande avec écran tactile à cristaux liquides
- 5a..... Interrupteur marche/arrêt
- 5b..... Écran tactile
- 5c..... Symboles de mode
- 5d..... Indicateurs de niveau de refroidissement
- 5e..... Symbole « anticondensation » (modèle N4150 uniquement)
- 5f..... Code d'erreur

Mise en marche du réfrigérateur

Mettre le réfrigérateur en marche et le laisser refroidir pendant huit heures avant d'y placer des aliments. Si le réfrigérateur ne commence pas à baisser de température au bout de deux heures, s'enquérir auprès du concessionnaire ou du centre de service après-vente agréé Norcold.

Pour optimiser le refroidissement, mettre le véhicule de niveau avant d'utiliser le réfrigérateur.

Pour mettre en marche le réfrigérateur, appuyer sur l'interrupteur marche/arrêt et le maintenir enfoncé pendant 1 seconde, comme illustré. Un témoin devient vert sur l'interrupteur marche/arrêt. (See Art02352)

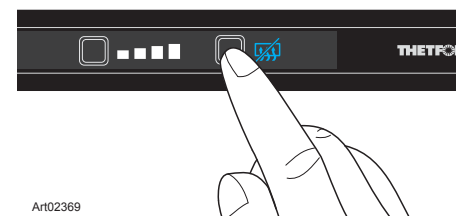


Art02352

Après 10 secondes, l'intensité lumineuse des réglages s'atténue. Le témoin vert indique que le réfrigérateur fonctionne toujours.

Pour vérifier les réglages, appuyer de nouveau sur le bouton marche/arrêt. Les réglages actuellement en vigueur s'éclairent.

Pour optimiser les performances, mettre en marche le réfrigérateur huit heures avant d'y placer des aliments.



Art02369

Élément chauffant anticondensation (présent uniquement sur le réfrigérateur modèle N4150 & N4141)



Pour empêcher la formation de condensation sur le tableau de commande, la fonction anticondensation est automatiquement activée (aucun symbole visible). Ne désactiver cette fonction que lorsqu'il est nécessaire de conserver la charge de la batterie du véhicule.





Pour DÉSACTIVER l'élément chauffant anticondensation, appuyer sur le bouton anticondensation. Le symbole sur le tableau de commande s'éclaire, indiquant que l'élément chauffant anticondensation a été DÉSACTIVÉ. (See Art02369)

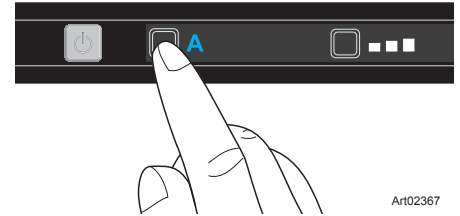
Pour réactiver l'élément chauffant anticondensation, appuyer de nouveau sur le bouton anticondensation. Le symbole sur le tableau de commande s'éteint, indiquant que l'élément chauffant anticondensation a été ACTIVÉ.

Sélection d'une source d'énergie

Après avoir mis en marche le réfrigérateur, appuyer plusieurs fois sur le bouton de source d'énergie, comme illustré. Appuyer jusqu'à ce que la source d'énergie désirée soit sélectionnée.

Sources d'énergie

- | | | |
|------|---|--|
| Auto |  | Le réfrigérateur sélectionne automatiquement la meilleure source d'énergie disponible (dans l'ordre : c.a., c.c., gaz) |
| C.A. |  | Le réfrigérateur est alimenté par du courant alternatif (c.a.). |
| C.C. |  | Le réfrigérateur est alimenté par la batterie du véhicule. |
| Gaz |  | Le réfrigérateur est alimenté par du gaz propane. |



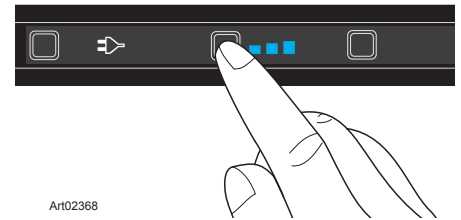
Toujours utiliser le mode gaz ou c.a. pour la mise en marche et le refroidissement. L'utilisation sur 12 V c.c. ne fonctionne efficacement que lorsque le moteur du véhicule tourne.

Si la fonction « Auto » du réfrigérateur est sélectionnée, mais qu'aucune source d'énergie n'est disponible, un témoin clignote en rouge sur l'interrupteur marche/arrêt.

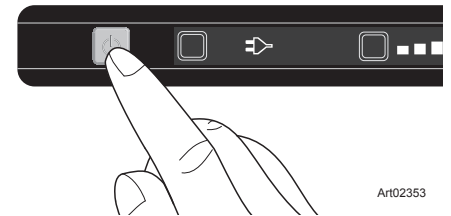
Les performances du réfrigérateur fonctionnant sur 12 V c.c. dépendent du calibre et de la longueur du câblage et de l'installation générale du véhicule.

Sélection du niveau de refroidissement

Après avoir mis en marche le réfrigérateur, appuyer plusieurs fois sur le bouton de niveau de refroidissement, comme illustré. Appuyer jusqu'à ce que le niveau désiré soit sélectionné.



Il est conseillé de régler le réfrigérateur sur le niveau de refroidissement 3, lorsque la température ambiante est comprise entre 60 et 75 °F. En cas de température plus élevée, choisir un niveau de refroidissement supérieur et, pour une température plus basse, opter pour un niveau inférieur.



Mise à l'arrêt du réfrigérateur

Avant de dégivrer le réfrigérateur ou de remettre le véhicule, mettre à l'arrêt le réfrigérateur. Appuyer sur l'interrupteur marche/arrêt, comme illustré, et le maintenir enfoncé pendant 2 secondes pour arrêter le réfrigérateur. Tous les témoins s'éteignent.



Si le véhicule est remis pendant une longue période, veiller à débrancher le ventilateur à l'arrière du réfrigérateur, comme expliqué dans la section intitulée « Entretien du réfrigérateur ».

Systeme de commande de temperature :

Bien qu'il ne s'agisse pas d'un modèle sans givre, ce réfrigérateur est conçu pour limiter l'accumulation de givre sur les ailettes de refroidissement. À intervalles réguliers, le système de commande de température dégivre automatiquement les ailettes de refroidissement. L'eau qui en résulte tombe dans une cuve fixée au dos du réfrigérateur. L'eau de la cuve s'évapore ensuite sous l'effet de la chaleur du système frigorifique.

Effets de l'altitude élevée sur le fonctionnement au gaz propane

Lorsque le réfrigérateur fonctionne au gaz propane à des altitudes de plus de 5500 pieds au-dessus du niveau de la mer :

- Le réfrigérateur risque de ne pas donner d'aussi bons résultats.
- Le brûleur risque de s'éteindre spontanément.

Pour éviter ce type de problème, Norcold recommande de faire fonctionner le réfrigérateur sur courant alternatif lorsque l'on se trouve à des altitudes de plus de 5500 pieds au-dessus du niveau de la mer.

Effets des températures de congélation sur le fonctionnement du réfrigérateur

Les réfrigérateurs à absorption de gaz ne sont pas conçus pour fonctionner à des températures de congélation. Si le réfrigérateur n'est pas équipé pour fonctionner à basse température et que son système frigorifique est exposé à des températures inférieures ou égales à 32 °F pendant une période prolongée, son fonctionnement risque d'être perturbé. Son fonctionnement reprendra alors une fois son système frigorifique suffisamment réchauffé.

Les perturbations du fonctionnement du réfrigérateur dues à une exposition prolongée à des températures inférieures ou égales à 32 °F et les coûts subis pour réchauffer le système frigorifique du réfrigérateur ne sont pas couverts par la garantie limitée de Norcold. Prière de s'adresser au concessionnaire local de véhicules de loisirs pour obtenir les renseignements nécessaires sur la reprise du fonctionnement du réfrigérateur ou sur la façon d'équiper le réfrigérateur en vue de son fonctionnement à des températures de congélation.

Ne pas modifier l'installation ni la ventilation du réfrigérateur. Les pannes de réfrigérateur dues à des modifications apportées à l'installation ou à la ventilation du réfrigérateur ne sont pas couvertes par la garantie limitée de Norcold.

Liste de contrôle de l'état du réfrigérateur

Il suffit d'effectuer les simples vérifications suivantes tous les trois à six mois pour obtenir de longues années de bons et loyaux services de la part du réfrigérateur :

- Veiller à la propreté du compartiment pour les aliments et du congélateur. Voir « Nettoyage ».
- Dégivrer le réfrigérateur aussi souvent que nécessaire. Voir « Dégivrage ».
- S'assurer de l'étanchéité de la fermeture de la porte. Voir « Fermeture étanche de la porte ».
- Veiller aux variations de refroidissement qui ne sont pas dues à un changement de température ambiante, de contenu ou de commande de gaz. Si de telles variations se produisent, s'enquérir auprès du concessionnaire ou d'un centre de service après-vente.
- S'assurer que l'alimentation en gaz est du gaz propane uniquement et non pas du butane ou un mélange de butane.
- Lors du fonctionnement avec du gaz propane, examiner l'apparence de la flamme. Voir « Apparence de la flamme de gaz ».
- S'assurer du dégagement de l'espace derrière le réfrigérateur. Ne pas utiliser l'espace derrière le réfrigérateur pour ranger quoi que ce soit, en particulier de l'essence ou d'autres matériaux à vapeurs ou liquides inflammables.
- S'assurer de l'absence d'obstruction ou de restriction de l'écoulement d'air dans la prise d'air inférieure, à travers les serpentins et le condenseur du réfrigérateur, et par la bouche d'échappement supérieure.

Dégivrage

Les ailettes de refroidissement du réfrigérateur fonctionnent à des températures de gel et il est normal qu'au contact de l'humidité de l'air elles se couvrent de givre. L'humidité à l'intérieur du réfrigérateur augmente :

- proportionnellement à la température et à l'humidité extérieures.
- lorsque des aliments frais non recouverts ou des aliments encore chauds sont placés dedans.
- d'autant plus que la ou les portes sont laissées longtemps ouvertes.
- si le réfrigérateur présente des fuites d'air.

Bien qu'il ne s'agisse pas d'un modèle sans givre, ce réfrigérateur est conçu pour limiter l'accumulation de givre sur les ailettes de refroidissement. À intervalles réguliers, le système de commande de température dégivre automatiquement les ailettes de refroidissement. L'eau qui en résulte tombe dans une cuve fixée au dos du réfrigérateur. L'eau de la cuve s'évapore ensuite sous l'effet de la chaleur du système frigorifique.

Il est normal que du givre s'accumule à l'intérieur du congélateur. Un réfrigérateur trop givré risque de ne pas donner d'aussi bons résultats. Dégivrer le réfrigérateur et le congélateur aussi souvent que nécessaire :

- Sortir tous les aliments du réfrigérateur.
- Éteindre le réfrigérateur.

AVIS *Le dégivrage rend beaucoup d'eau dans le réfrigérateur.*

- Retirer le tuyau de vidange de la cuvette d'égouttage, à l'arrière du réfrigérateur.
- Placer le tuyau de vidange dans un récipient d'au moins un demi-gallon pour récupérer l'eau.
- Placer des serviettes sèches (etc.) à l'intérieur du réfrigérateur et du congélateur pour absorber le givre fondu.



Des températures élevées peuvent entraîner la distorsion ou la fonte des surfaces intérieures du réfrigérateur. Ne pas utiliser de récipients d'eau TRÈS CHAUDE, de sèche-cheveux ou d'autres dispositifs à haute température pour dégivrer le réfrigérateur. Ne pas employer d'objets durs ou tranchants pour enlever le givre. L'intérieur du réfrigérateur risquerait d'être endommagé.

- Pour obtenir un dégivrage plus rapide, placer des récipients d'eau CHAUDE dans le réfrigérateur et dans le congélateur.
- Enlever les serviettes humides (etc.) et sécher l'intérieur.
- Retirer le tuyau de vidange du grand récipient et le replacer dans la cuvette d'égouttage.
- Retirer le grand récipient de l'enceinte.
- Remettre le réfrigérateur en route.
- Laisser le réfrigérateur se refroidir.
- Remettre tous les aliments dans le réfrigérateur.

Nettoyage

Il est conseillé de nettoyer le réfrigérateur juste après l'avoir dégivré. Nettoyer l'intérieur du réfrigérateur aussi souvent que nécessaire pour éviter les odeurs :

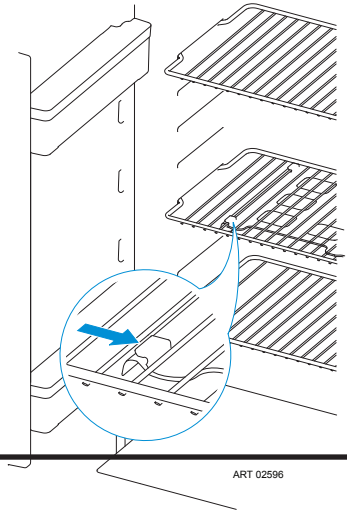
- Sortir tous les aliments du réfrigérateur.

AVIS *Ne pas se servir de produits de nettoyage abrasifs, de produits chimiques ou de tampons à recurer car ils risquent d'endommager l'intérieur du réfrigérateur.*

- Laver l'intérieur avec un produit de nettoyage doux ou un mélange de détergent liquide pour vaisselle et d'eau chaude.
- Rincer avec un mélange de bicarbonate de soude et d'eau propre.
- Sécher avec un chiffon propre.
- Remettre tous les aliments dans le réfrigérateur.

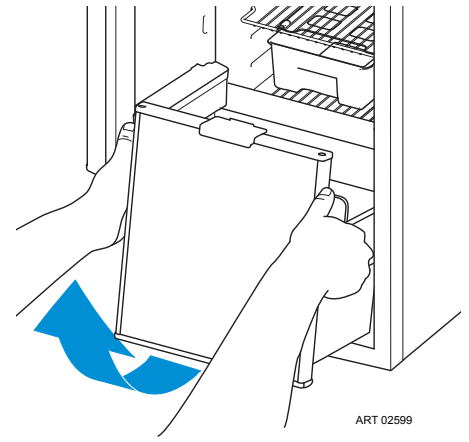
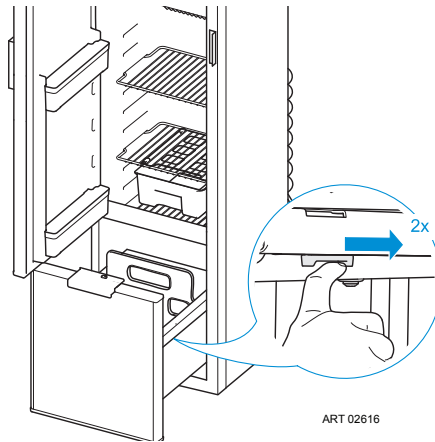
Sortie du système de boîte coulissante (Art02596)

- Ouvrir la porte du réfrigérateur.
 - Retirer la boîte coulissante.
 - Faire glisser le système de rails vers la droite.
 - Retirer la boîte coulissante.
 - Une fois les surfaces propres, mettre le système de rails sur la gauche.
 - Remettre la boîte coulissante en place dans le réfrigérateur.
- Veiller à ce qu'elle s'enclenche bien en place.



Sortie du tiroir

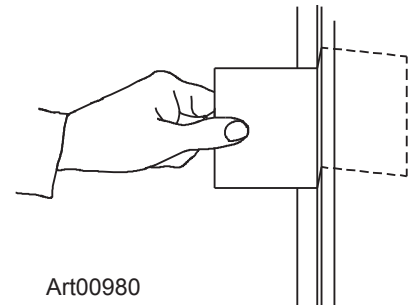
- Ouvrir la porte du réfrigérateur.
- Tirer le tiroir jusqu'à ce qu'il bute.
- L'enfoncer légèrement vers l'arrière, puis pousser les glissières de verrouillage vers l'arrière. (Voir Art02616.)
- Tirer le tiroir vers soi et soulever les roues au-dessus des parties incurvées. (Voir Art02599.)
- Nettoyer les surfaces et remettre le tiroir en place dans le réfrigérateur.
 - Pousser les glissières de verrouillage vers l'avant.
 - Incliner le tiroir au-dessus des roues.
 - Pousser le tiroir dans le réfrigérateur.



Vérification du joint des portes

Si l'une ou l'autre des portes n'est pas absolument étanche, un excès de givre se formera à l'intérieur du réfrigérateur. S'assurer de l'étanchéité de la fermeture des portes (voir Art00980) :

- Fermer chaque porte sur un morceau de papier à peu près de la taille d'un billet d'un dollar.
- Tirer doucement sur le papier.
 - Une légère résistance doit se faire sentir entre le joint et la caisse.
 - Répéter cette opération sur les quatre côtés de la porte.
 - L'absence d'une légère résistance exercée sur le papier indique une mauvaise étanchéité de la porte.
- Faire vérifier l'étanchéité de la porte par un concessionnaire ou un centre de service après-vente agréé Norcold.



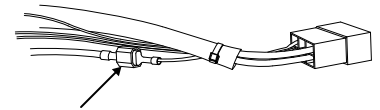
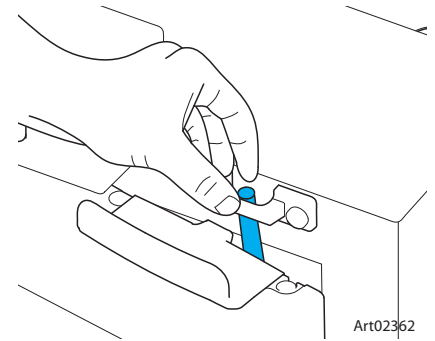
Entreposage du réfrigérateur

Avant d'entreposer un réfrigérateur pour une période prolongée de temps (saisonnière) :

- Dégivrer et nettoyer l'intérieur du réfrigérateur.
- Pour éviter les odeurs et la moisissure dans le réfrigérateur, laisser toutes les portes ouvertes pendant l'entreposage. Faire tourner le crochet de verrouillage de porte de 45 degrés et le bloquer en place à l'aide de la gâche, comme illustré.
- Débrancher le ventilateur à l'arrière du réfrigérateur. Débrancher le connecteur sur le fil rouge du cordon d'alimentation c.c. à l'endroit indiqué, comme illustré.

Avant de remettre en marche un réfrigérateur qui a été entreposé pendant un certain temps :

- S'assurer de l'absence d'obstructions aux bouches de ventilation, passages d'air de ventilation, brûleur, buse ou conduit de fumée.
- Rebrancher le ventilateur à l'arrière du réfrigérateur. Raccorder ensemble les connecteurs sur le fil rouge du cordon d'alimentation c.c. à l'endroit indiqué, comme illustré.

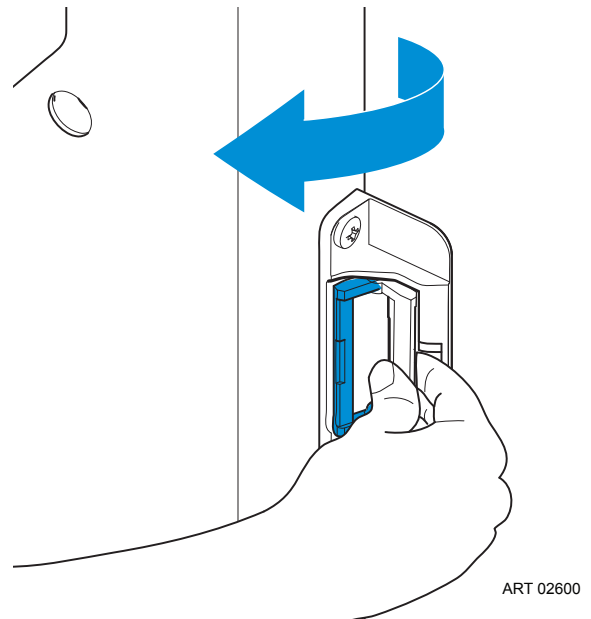
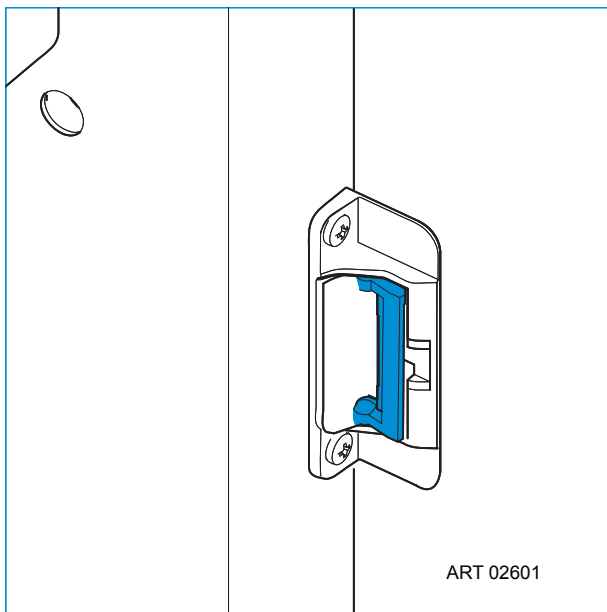


N4141 Verrou de rangement

Ouvrir la porte et faire tourner le verrou de rangement, comme illustré. (Voir Art2600.)

- Refermer la porte jusqu'à ce que le premier déclic se fasse entendre.
- S'assurer que la porte reste entrebâillée.

Lorsqu'on utilise le réfrigérateur après le rangement, toujours s'assurer de tourner le verrou de rangement pour le faire revenir à sa position d'origine. (Voir Art02601.)



Liste de contrôle de l'entretien du réfrigérateur

Lire les sections suivantes de ce manuel relatives à l'entretien et en assimiler le contenu.

AVIS

Norcold décline toute responsabilité en cas d'installation, de réglage, de modification, de réparation ou d'entretien effectué(e) par quiconque autre qu'un concessionnaire de véhicules de loisirs qualifié ou un centre de service après-vente agréé Norcold.

Demander à un concessionnaire de véhicules de loisirs qualifié ou un centre de service après-vente agréé Norcold d'effectuer ces contrôles annuels de sécurité et d'entretien suivants :

- Chercher les fuites aux tuyaux d'arrivée de gaz
 - Remplacer ou réparer, selon le besoin.
- S'assurer que la pression du gaz propane est à 11 po de colonne d'eau.
 - Régler si nécessaire.
- Vérifier que le joint de combustion est complet et intact.
 - Le remplacer ou le réparer, selon le besoin.
- Vérifier que le brûleur et la buse du brûleur sont propres.
 - Les nettoyer si nécessaire.
- S'assurer que l'écartement des électrodes est de 1/8 - 3/16 po.
 - Régler si nécessaire.
- S'assurer que la tension c.a. est de 108 à 132 volts et la tension c.c. de 10,5 à 15,4 volts.
- S'assurer que l'espace derrière le réfrigérateur est libre de tous matériaux combustibles, essence et autres matériaux à vapeurs ou liquides inflammables.

Entretien du réfrigérateur

Apparence de la flamme de gaz :

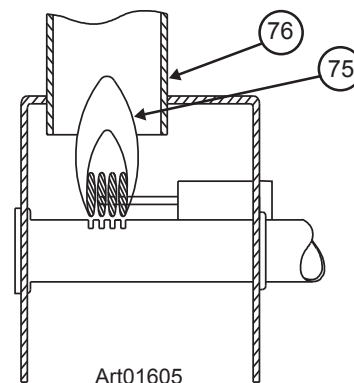
Lors du fonctionnement avec du GAZ, examiner l'apparence de la flamme de gaz :

- Mettre en marche le réfrigérateur, sélectionner le mode manuel d'alimentation en gaz et choisir le réglage de température le plus froid.
- Ouvrir la bouche de prise d'air inférieure.



**Le couvercle du compartiment du brûleur peut être brûlant.
Porter des gants pour éviter les brûlures.**

- Retirer le couvercle du compartiment du brûleur en ôtant la vis.
- Examiner la flamme du gaz [75] (voir Art01605).
- La flamme doit être :
 - d'un bleu plus foncé à l'intérieur qu'à l'extérieur.
 - de forme constante et sans vacillation.
 - S'enquérir auprès du concessionnaire ou du centre de service après-vente agréé Norcold si la flamme :
 - est jaune
 - vacille ou change de forme.
 - Veiller à ce que la flamme ne touche pas l'intérieur du conduit de fumée [76].
 - Si la flamme touche l'intérieur du conduit de fumée, contacter le concessionnaire ou le centre de service après-vente agréé Norcold.



- Fermer la porte du compartiment du brûleur.

Retrait et nettoyage de la buse du brûleur :

Cette opération doit être effectuée par un concessionnaire ou un centre de service après-vente agréé Norcold.

Retrait et nettoyage de la buse du brûleur (voir Art00956) :

- Fermer le robinet à la ou aux bouteilles de gaz propane.
- Appuyer sur l'interrupteur marche/arrêt et le maintenir enfoncé pendant 2 secondes pour arrêter le réfrigérateur.



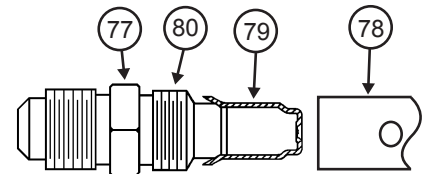
Le couvercle du compartiment du brûleur peut être brûlant. Porter des gants pour éviter les brûlures.

- Ouvrir la bouche de prise d'air inférieure.
- Retirer le couvercle du compartiment du brûleur en ôtant la vis.



Pour éviter les fuites de gaz propane, toujours se servir de deux clés pour serrer ou desserrer les raccords du tuyau d'arrivée de gaz.

- Démontez le raccord conique de la buse [77] (voir Art00956).
- Retirer la buse du brûleur [78].



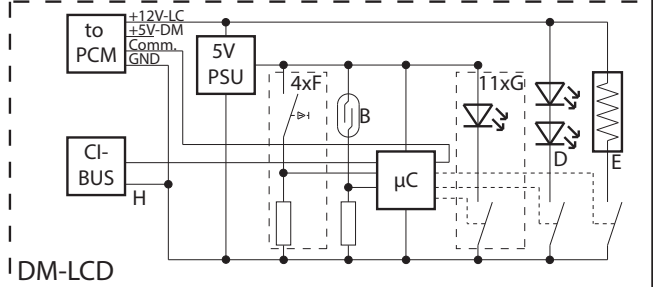
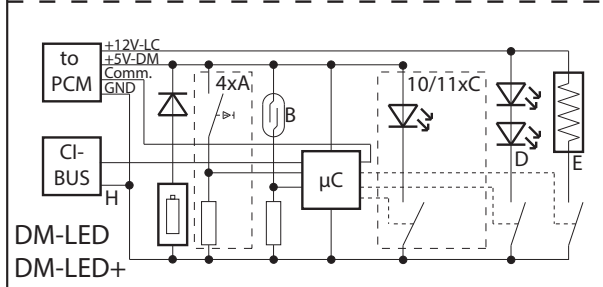
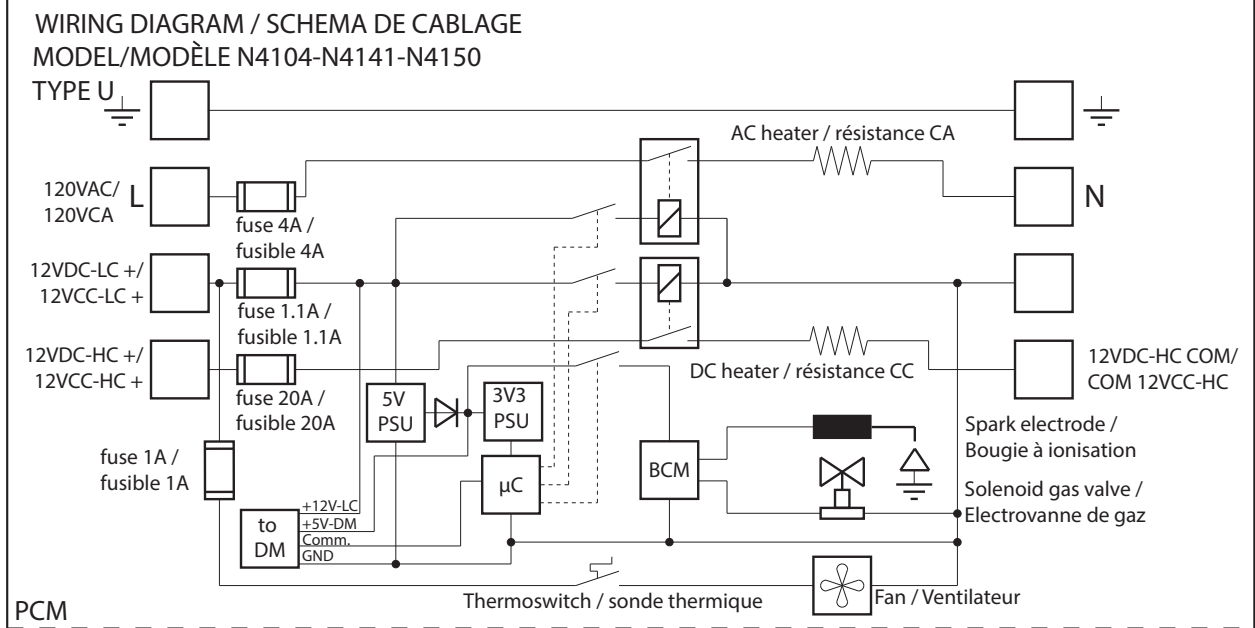
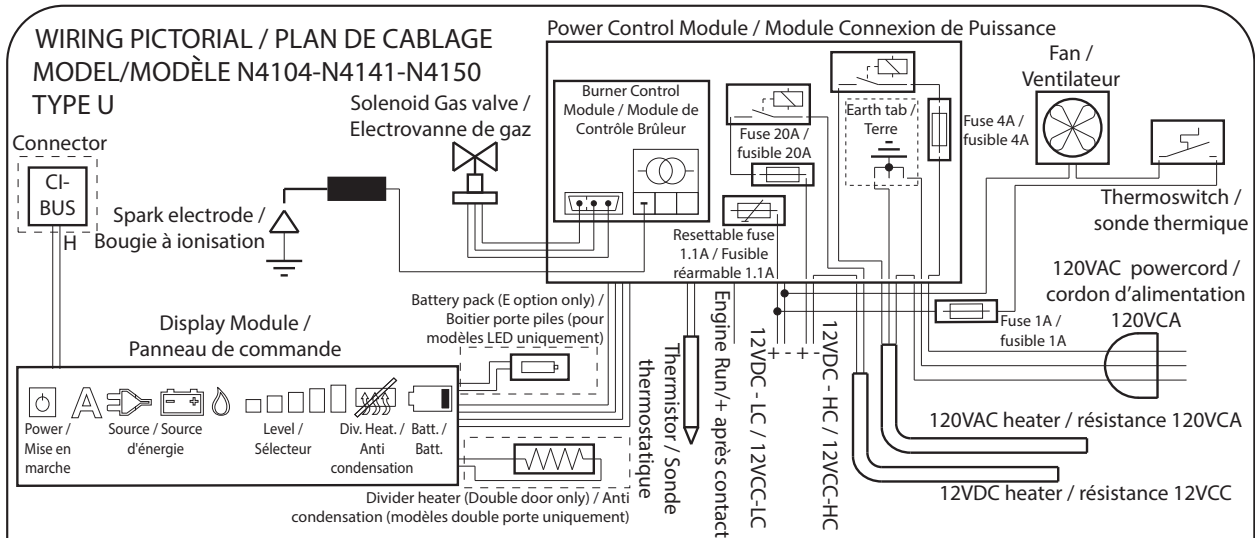
Art 00956



Lors du nettoyage, ne pas essayer de démonter la buse [79] de son adaptateur [80]. La buse et son joint risqueraient d'être endommagés, ce qui pourrait causer une fuite de gaz propane. Le gaz propane qui s'échappe risque de s'enflammer ou d'exploser, d'où risque de blessures graves ou mortelles. Ne pas nettoyer la buse avec une épingle ou tout autre objet.

- Nettoyer l'ensemble de la buse à l'aide de pression d'air et d'alcool uniquement.
- À l'aide d'une clé, monter l'ensemble de la buse sur le brûleur.
- Poser le raccord conique sur la buse.
- Assembler le couvercle du compartiment du brûleur.
- Nettoyer le compartiment du brûleur.
- Chercher les fuites de gaz au niveau de tous les raccords.

Graphique et schéma de câblage



- A) Push buttons: Power, Back, Mode/Enter, Next / Commandes: Mise en marche, Retour, Valider, Suivant.
- B) Reed switch / Contacteur
- C) LED's: 3x Source (4x in case of LED+), 5x Temperature, Divider heater, battery (red) / Modèle LED = 3 sources d'énergie (4x en cas de LED+), 5 sélections de puissance, anti condensation, indicateur changement de piles (rouge)
- D) Interior lights / Lumière intérieure
- E) Divider heater (double door only) / Anti condensation (modèles double porte uniquement)
- F) Push button Power and 3x touch switch: source, temperature, divider heater / Commandes: Mise en marche et 3 commandes tactiles: Source d'énergie, sélection de puissance, anti condensation
- G) LCD symbols: auto mode, 3x source, 5x temperature, divider heater, 2 digit error code / modèle LCD = mode automatique, 3 sources d'énergie, 5 sélections de puissance, anti condensation, code erreur (2 chiffres).

691925

Remarque: Si l'un des fils d'origine fournis avec le réfrigérateur doit être remplacé, il doit être remplacé par le fil de type d'origine ou son équivalent.

Pièces de rechange

Les pièces de rechange peuvent être obtenues auprès du concessionnaire de véhicules de loisirs local ou d'un centre de service après-vente agréé Norcold.

Dépannage

En cas de problème, un code d'erreur peut apparaître sur le tableau de commande. Lorsque les codes d'erreur 1, 2, 4, 5, 8, 9, 12 ou 13 apparaissent, faire appel directement au concessionnaire ou à un centre de service après-vente Norcold.

Pour les codes d'erreur ci-dessous, lire d'abord les instructions associées. Si elles ne permettent pas de résoudre le problème, s'adresser au concessionnaire ou à un centre de service après-vente Norcold.



Le réfrigérateur ne marche pas au gaz : vérifier si la bouteille de gaz n'est pas vide • vérifier si le robinet de la bouteille de gaz et tous les robinets d'arrêt sont ouverts • arrêter puis remettre en marche le réfrigérateur • essayer de faire fonctionner le réfrigérateur sur une autre source d'alimentation



Le réfrigérateur ne marche pas sur 12 V : s'assurer que le moteur tourne • essayer de faire fonctionner le réfrigérateur sur une autre source d'alimentation



Le réfrigérateur ne marche pas sur 12 V : s'assurer que le moteur tourne • essayer de faire fonctionner le réfrigérateur sur une autre source d'alimentation.



Le réfrigérateur ne marche pas sur 120 V : vérifier si l'alimentation 120 V c.a. est disponible • essayer de faire fonctionner le réfrigérateur sur une autre source d'alimentation



Le réfrigérateur ne marche pas en mode AUTO : vérifier si les sources d'énergie sont raccordées • essayer de faire fonctionner le réfrigérateur manuellement sur une source d'alimentation



Tous les symboles sur le tableau de commande s'éclairent : attendre quelques secondes que le réfrigérateur démarre normalement.

Questions fréquemment posées

Que faire lorsque le réfrigérateur ne démarre pas ?

Vérifier si le réfrigérateur a été mis en marche conformément aux instructions, si le véhicule est de niveau ou si une source d'énergie est disponible pour faire démarrer le réfrigérateur. Si aucune de ces conditions n'est remplie, prière de s'adresser au concessionnaire ou à un centre de service après-vente Norcold.

Que faire lorsque le réfrigérateur ne refroidit pas suffisamment ?

Vérifier si les bouches de ventilation ne sont pas couvertes ou obstruées depuis l'extérieur, si le réfrigérateur est de niveau, si le niveau de refroidissement le plus élevé du réfrigérateur est sélectionné, si la porte du réfrigérateur ferme toujours correctement, s'il n'y a pas trop de glace sur les ailettes de refroidissement ou si le fil du ventilateur est débranché à l'arrière du réfrigérateur. Si aucune de ces conditions n'est remplie, prière de s'adresser au concessionnaire ou à un centre de service après-vente Norcold.

Que faire lorsque tous les témoins clignotent sur le tableau de commande ?

Prière de s'adresser au concessionnaire ou à un centre de service après-vente Norcold.

Manuel d'installation

Signalisation de la sécurité

Lire soigneusement ce manuel et en assimiler le contenu avant d'installer le réfrigérateur.

Prendre conscience des risques pour la sécurité signalés par le symbole de mise en garde sur le réfrigérateur et dans ce manuel. Le symbole de mise en garde est suivi d'un terme précisant la nature du risque en question. Lire soigneusement la description de ces termes de signalement pour apprendre à les différencier. C'est une question de sécurité personnelle.



Ce terme de signalement indique un danger qui, s'il n'est pas pris en compte, peut causer une blessure grave, la mort ou d'importants dégâts matériels.



Ce terme de signalement indique un danger qui, s'il n'est pas pris en compte, peut causer une blessure légère ou d'importants dégâts matériels.

Consignes relatives à la sécurité



- Ce réfrigérateur n'est pas destiné à servir de réfrigérateur amovible. Il est conçu pour fonctionner au gaz propane seulement et ne peut pas être modifié pour utiliser d'autres carburants (gaz naturel, butane, etc.).
- Une faute d'installation, de réglage, de modification ou d'entretien de ce réfrigérateur peut causer des préjudices corporels et (ou) matériels.
- Observer les consignes de ce manuel pour installer des bouches de ventilation (prise d'air et échappement).
- Ne pas installer le réfrigérateur à même une moquette ou un tapis. Le placer sur un panneau de métal ou de bois s'étendant au moins sur toute sa largeur et toute sa profondeur.
- Ne pas laisser quoi que ce soit toucher le système frigorifique du réfrigérateur.
- Le gaz propane est susceptible de s'enflammer et de causer une explosion et, par conséquent, des dégâts matériels et des blessures graves ou mortelles. Ne pas fumer ni faire d'étincelles. Ne pas se servir d'une flamme nue pour rechercher les fuites au tuyau d'arrivée de gaz propane. Toujours se servir de deux clés pour serrer ou desserrer les raccords du tuyau d'arrivée de gaz propane.
- S'assurer de la conformité de l'installation électrique à tous les codes applicables. Voir la section « Certification et codes à respecter ».
- Ne pas contourner ou modifier les composants ou fonctions électriques du réfrigérateur.
- Ne pas vaporiser de liquides près des prises électriques, des raccords ou des pièces du réfrigérateur. Nombre de liquides sont conducteurs et peuvent poser des risques de décharge électrique, de court-circuit, voire même d'incendie.
- Le système frigorifique du réfrigérateur est sous pression. Ne pas essayer de réparer ou recharger un système frigorifique défectueux.
- Le système frigorifique contient du chromate de sodium. L'inhalation de certains composés du chrome peut causer le cancer. Le système frigorifique contient des produits chimiques qui peuvent causer de graves brûlures à la peau et aux yeux, s'enflammer et brûler avec une flamme intense. Ne pas recourber, faire tomber, souder, déplacer, percer, perforer ou heurter le système frigorifique.



L'arrière du réfrigérateur présente des arêtes vives et des angles coupants. Pour éviter de se couper ou de s'écorcher lors du travail sur le réfrigérateur, faire attention et porter des gants résistant aux coupures.

Certification et codes à respecter

Ce réfrigérateur est homologué par la section International de l'ACNOR comme conforme à la dernière édition des normes ANSI Z21.19 / ACNOR 1.4 en ce qui concerne l'installation dans des caravanes résidentielles ou véhicules de loisir.

Pour que la garantie limitée Norcold puisse entrer en vigueur, l'installation du réfrigérateur doit être conforme au présent « Manuel d'installation ». De plus, elle doit respecter les éléments suivants, lorsqu'ils sont applicables :



Art01290



Aux États-Unis et au Canada :

- Les codes locaux, ou, à défaut, le code National Fuel Gas Code, les normes ANSI Z223.1/NFPA 54, le code Natural Gas and Propane installation Code, la norme ACNOR B149.1, le code ANSI A119.2 Recreational Vehicles Code et les normes ACNOR Z240 RV Series, Recreational Vehicles.
- L'installation des maisons préfabriquées (caravanes résidentielles) doit se conformer à la norme Manufactured Home Construction and Safety Standard, titre 24 CFR, partie 3280 [anciennement dénommée Federal Standard for Mobile Home Construction and Safety, titre 24 (partie 280)], et à la norme à jour ACNOR Z240.4, Gas-equipped Recreational Vehicles and Mobile Housing.
- Si une source d'alimentation externe est employée, l'appareil électroménager doit, à son installation, faire l'objet d'une mise à la terre électrique conforme aux codes locaux ou, à défaut de tels codes, conforme au code National Electrical code et aux normes ANSI/NFPA 70, ou au Code canadien d'électricité, ACNOR C22.2. parties 1 et 2.

Tous les tuyaux et raccords d'arrivée de gaz propane doivent respecter les codes locaux, provinciaux et fédéraux s'appliquant à leurs types et dimensions. Ces éléments doivent également être conformes à la norme à jour NFPA 1192 section 2-4, et, au Canada, à la norme à jour CAN 1-6.10.

Consignes relatives à la ventilation



Conditions à satisfaire par l'installation :

- **Il doit y avoir un apport d'air frais suffisant pour la combustion.**
- **L'espace de séjour doit être complètement isolé du système de combustion du réfrigérateur.**
- **Le conduit de fumée d'échappement doit bénéficier d'une ventilation totale et sans restriction car, en mode de fonctionnement au gaz, du monoxyde de carbone peut en sortir. L'inhalation de fumées contenant du monoxyde de carbone peut causer des vertiges, des nausées ou, dans les cas extrêmes, la mort.**
- **S'assurer de l'isolation complète du réfrigérateur par rapport à ses composants produisant de la chaleur en utilisant un jeu approprié de déflecteurs et de panneaux.**

Une installation homologuée requiert une prise d'air inférieure et une bouche d'échappement supérieure. Installer la prise d'air et la bouche d'échappement exactement comme décrit dans ce manuel. Toute autre méthode d'installation annulerait à la fois l'homologation et la garantie d'usine du réfrigérateur.

Le bas de l'ouverture de la prise d'air inférieure, qui est aussi la porte d'accès de service, doit être de niveau avec le sol, ou juste en dessous. Ainsi, s'il y a fuite du gaz propane, il s'échappe à l'extérieur au lieu de s'accumuler au niveau du sol.

En vertu de l'homologation de la section International de l'ACNOR, il peut y avoir un dégagement nul sur les côtés, l'arrière, le haut et le bas du réfrigérateur. Alors qu'aucun dégagement maximum n'est spécifié par l'homologation, le réfrigérateur ne peut fonctionner correctement que si les dégagements maximum suivants sont respectés :

Bas	0 po min.	0 po max.
Chaque côté	0 po min	1/2 po max.
Haut	0 po min.	1/4 po max.
Arrière	0 po min.	1 po max.

Ces dégagements ainsi que la prise d'air inférieure et la bouche d'échappement supérieure entraînent l'écoulement d'air naturel requis pour une bonne réfrigération. De l'air plus froid entre par la prise d'air inférieure, monte en traversant les serpentins du réfrigérateur où il élimine l'excédent de chaleur des composants du réfrigérateur et il sort par la bouche d'échappement supérieure. Si ce flux d'air est obstrué ou restreint, le réfrigérateur ne fera pas son travail comme il faut.

Le système de ventilation de chaque modèle NORCOLD est homologué par la section International de l'ACNOR. Installer uniquement les bouches de ventilation homologuées qui sont spécifiées dans ce manuel.

Dimensions importantes du réfrigérateur

	Hauteur* (po)	Largeur (po)	Profondeur* (po)	Volume total (pi ³)	Volume congélateur (pi ³)	Poids net (lb.)
N4104Axx	32 5/16	20 11/16	23 3/8	3.7	0.39	61
N4150Axx	49 1/16	20 11/16	22 7/8	5.3	0.88	85
N4141	59 1/16	16 15/32	22 3/32	5.0	0.52	84

* Hauteur pieds compris. Profondeur porte comprise.

Assemblage de l'enceinte destinée au réfrigérateur

1. Consulter le tableau ci-dessous et les figures associées pour déterminer la taille de l'enceinte.

Modèle	Hauteur (po)	Largeur (po)	Profondeur (po)	Profondeur de la porte "FC" (po)
N4104Axx	32 1/2	20 13/16 min. to 20 15/16 max.	20 3/8 min.	3 1/16
N4150Axx	49 3/16	20 13/16 min. to 20 15/16 max.	19 7/8 min.	3 1/16
N4141Axx	59 3/16	16 5/8 min to 16 3/4 max.	21 1/16	

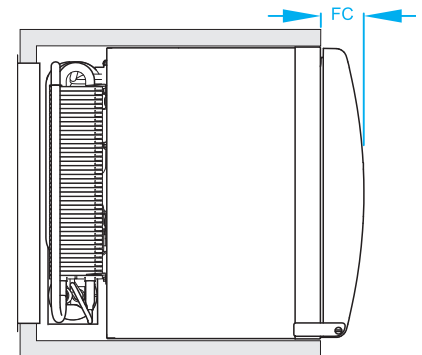
2. Vérifier que le plancher est solide et horizontal.

- Il doit s'agir d'un plancher métallique ou d'un panneau de bois s'étendant au moins sur toute la largeur et toute la profondeur de l'enceinte.
- Le plancher doit pouvoir supporter le poids du réfrigérateur et de son contenu.
- La distance minimum entre le bas de l'enceinte et le sol est de 12 mm. (Modèle N4141 uniquement).

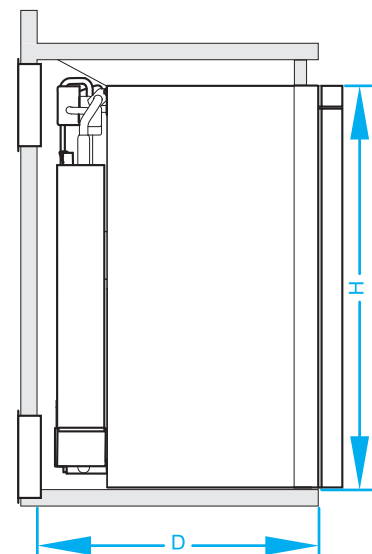
3. S'assurer qu'il n'y a pas de sources de chaleur adjacentes, telles que bouches de ventilation de chauffage ou de chauffe-eau.

4. S'il y a plus de 1/2 po entre un côté du réfrigérateur et l'intérieur de l'enceinte :

- Remplir l'espace d'isolant en fibre de verre ou ajouter un déflecteur pour éliminer le dégagement excédentaire.
 - S'assurer que l'isolant en natte va de la face avant de l'enceinte au joint de combustion se trouvant à l'arrière de la caisse du réfrigérateur.
 - Bien fixer l'isolant en natte à l'enceinte de façon à ce qu'il reste dans cette position durant l'installation du réfrigérateur, s'il devient mouillé et s'il y a du vent.



Art02343



Art02344

Installation des bouches de ventilation supérieure et inférieure

1. En se servant du tableau suivant, décider des tailles de bouches de ventilation et de découpes (D) à utiliser :

Bouche de ventilation homologuée	Réf.	RO Hauteur D	RO Largeur D	Taille hors tout de la bouche de ventilation
Came d'échappement supérieure du toit	622293	S/O	S/O	10½ in. x 33 in.
Bouche d'échappement supérieure du toit	616319	24 in.	5 1/4 in.	7 7/16 in. x 26 7/23 in.
Grande bouche de ventilation (3 volets)	621156xx	13 ¾ in.	21 ½ in.	16 15/32 in. x 24 7/32 in.
Grande bouche de ventilation (10 volets)	690136xx	9 13/16 in.	19 5/16 in.	11 1/16 in. x 21 in.
Petite bouche de ventilation	633588xx	6 5/32 in.	17¼ in.	7 11/32 in. X 19 1/32 in.
Sortie d'air, universel, supérieur et inférieur	620505xx	6 3/16in.	17 13/16 in.	8 5/32 in. X 19 5/8 in.
MODÈLE N4141 UNIQUEMENT	691100xx (690577 & 690680)	9 po	15 3/4 po	10 1/8 po x 17 po

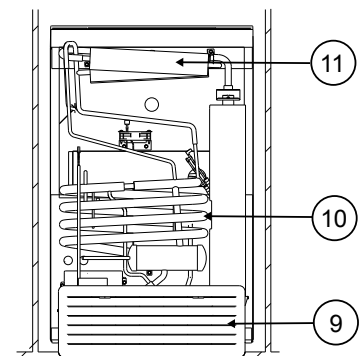
Installer les bouches de ventilation exactement comme indiqué. Toute autre méthode entraîne l'annulation de la garantie du réfrigérateur.

2. Poser la prise d'air inférieure (See Art02337, Art02338, and Art02339):

AVIS La prise d'air inférieure sert également d'ouverture d'accès aux composants à l'arrière du réfrigérateur.



Veiller à ce que le bas de l'ouverture de la prise d'air inférieure soit de niveau avec le sol, ou juste en dessous. Ainsi, s'il y a fuite du gaz propane, il s'échappe à l'extérieur au lieu de s'accumuler au niveau du sol.



Art02339

- Veiller à ce que le bas de l'ouverture de la prise d'air inférieure [9] soit de niveau avec le sol, ou juste en dessous.
- Aligner la prise d'air inférieure verticalement sous les serpentins [10] et le condenseur [11] du réfrigérateur.

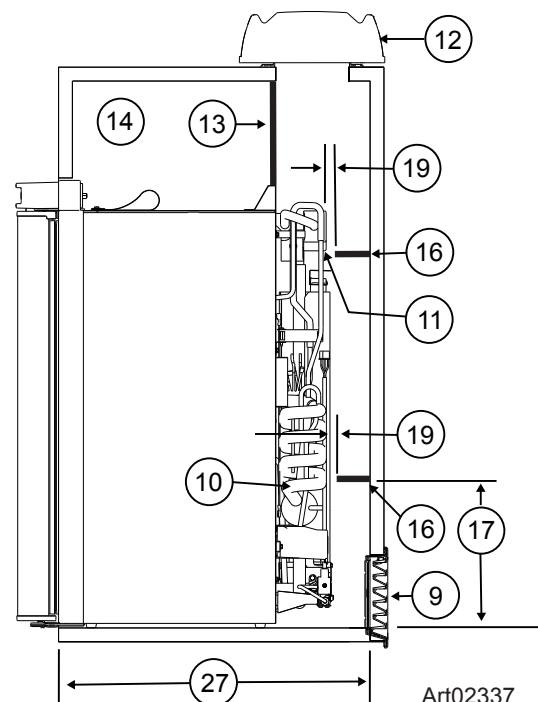
3. Installer la bouche d'échappement supérieure :



S'assurer de l'absence de sciure, de matériau d'isolation ou d'autres débris de construction sur le réfrigérateur ou dans l'enceinte. Les débris peuvent poser un danger de combustion et empêcher le fonctionnement correct du réfrigérateur.

AVIS Serrer les vis de la came d'échappement supérieur du toit à 10 po-lb max. S'assurer également que l'écoulement d'air autour de la came d'échappement supérieur du toit n'est pas partiellement ou totalement restreint par d'autres articles montés sur le toit tels que porte-bagages, climatiseur, panneau solaire, etc.

- Si la conception du véhicule le permet, installer la bouche d'échappement de toit [12] juste au-dessus du condenseur [11] du réfrigérateur (voir Art02337) :
 - Installer un déflecteur [13] pour éviter tout air chaud stagnant dans l'espace [14] situé au-dessus du réfrigérateur.



Art02337

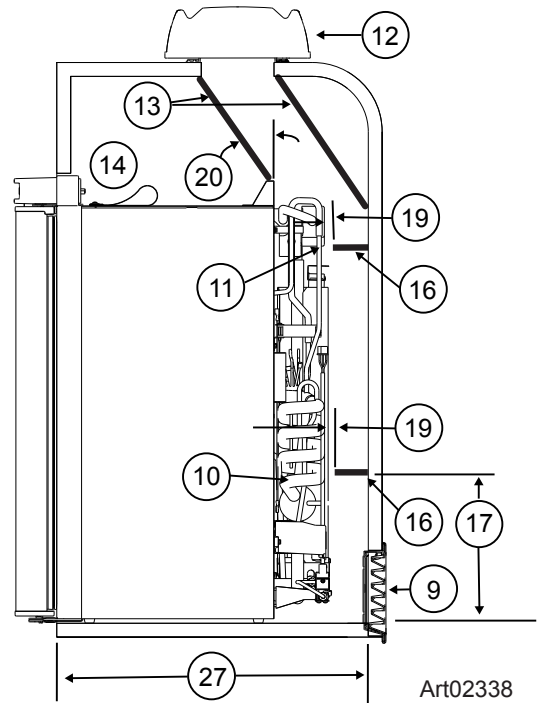
- Veiller à ce que le déflecteur fasse toute la largeur de l'intérieur de l'enceinte.



Le déflecteur avant [13] parachève le joint de combustion en haut du réfrigérateur. S'assurer de l'étanchéité du déflecteur sur tous les bords (contre le bord supérieur du réfrigérateur, contre les parois latérales de l'enceinte et contre le plafond de l'enceinte devant la bouche de ventilation). Voir aussi la section intitulée « Joint de combustion ».

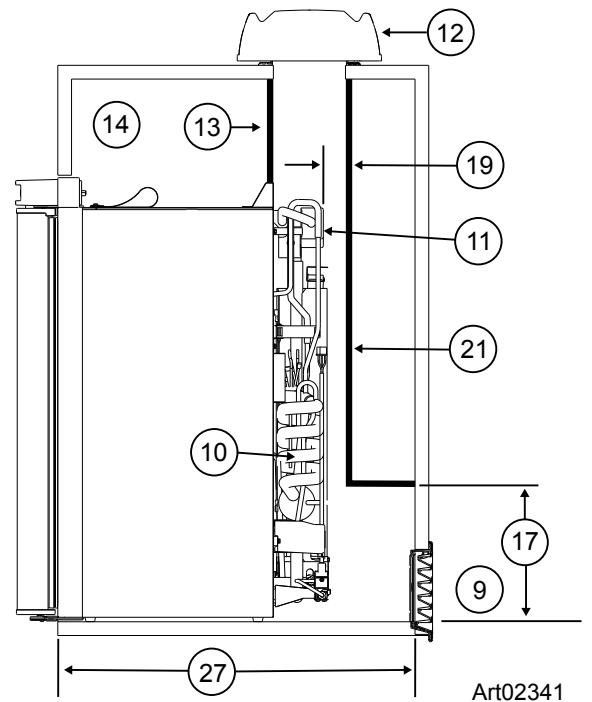
- Si la conception du véhicule empêche l'installation de la bouche d'échappement de toit juste au-dessus du condenseur [11] du réfrigérateur (voir Art02338) :

- Aligner la bouche d'échappement du toit [12] au-dessus du condenseur [11] du réfrigérateur et la déplacer vers l'intérieur selon le besoin.
- Installer deux déflecteurs [13] pour éviter tout air chaud stagnant dans l'espace [14] situé au-dessus du réfrigérateur.
 - Veiller à ce que les déflecteurs fassent toute la largeur de l'intérieur de l'enceinte.
 - S'assurer que les déflecteurs ne sont pas à plus de 45° de la verticale [20].
 - Mettre un déflecteur entre le bord supérieur arrière du réfrigérateur et le bord intérieur de l'ouverture de la bouche d'échappement supérieure.



Le déflecteur avant [13] parachève le joint de combustion en haut du réfrigérateur. S'assurer de l'étanchéité du déflecteur sur tous les bords (contre le bord supérieur du réfrigérateur, contre les parois latérales de l'enceinte et contre le plafond de l'enceinte devant la bouche de ventilation). Voir aussi la section intitulée « Joint de combustion ».

- Placer l'autre déflecteur entre le bord extérieur de l'ouverture de la bouche d'échappement supérieure et la paroi latérale du véhicule.
- Si la profondeur de l'enceinte est de 20 3/8 po ou davantage mais moins de 21 3/8 po [27], aucun déflecteur n'est nécessaire à l'arrière de l'enceinte.



- Si la profondeur de l'enceinte est de 21 3/8 po ou davantage mais moins de 22 3/8 po [27], ajouter deux déflecteurs [16] à l'arrière de l'enceinte (voir Art02337 et Art02338).

- Pour le modèle N4104, placer un déflecteur à la plus élevée des deux hauteurs suivantes : soit 10 po au-dessus du bas de l'enceinte [17], soit en haut de l'ouverture de la prise d'air inférieure.

- Pour le modèle N4150, placer un déflecteur à la plus élevée des deux hauteurs suivantes : soit 12 po au-dessus du bas de l'enceinte [17], soit en haut de l'ouverture de la prise d'air inférieure.

- Placer l'autre déflecteur au bord le plus bas du condenseur [11] du réfrigérateur.

- Veiller à ce que les déflecteurs soient à 1 po ou moins [19] des serpentins [10] et du condenseur [11] du réfrigérateur.

- Veiller à ce que les déflecteurs fassent toute la largeur de l'intérieur de l'enceinte.

- Si la profondeur de l'enceinte est de plus de 22 3/8 po [27], installer un déflecteur en forme de boîte pleine, en bois, en aluminium ou en tôle galvanisée [21] à l'arrière de l'enceinte (voir Art02341 et Art02342).

- S'assurer que la partie inférieure horizontale du déflecteur en forme de boîte pleine affleure le bord supérieur de la bouche d'échappement inférieure [9] ou se trouve au-dessus de ce bord.

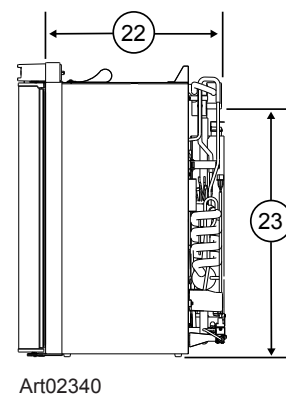
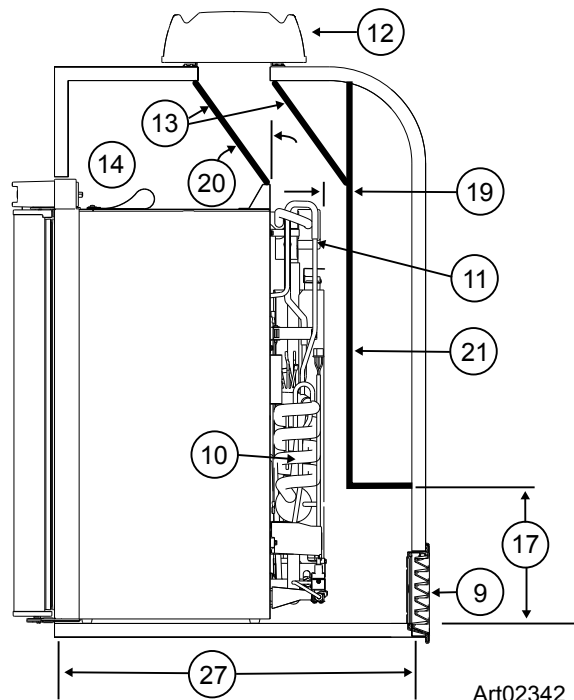
- Veiller à ce que la distance entre le plancher de l'enceinte et le bord inférieur vertical du déflecteur en forme de boîte pleine [17] soit de 10 po pour le modèle N4104 • 12 po pour le modèle N4150

- Veiller à ce que l'arrière du déflecteur en forme de boîte pleine soit perpendiculaire au bas de l'enceinte.

- Veiller à ce que l'arrière du déflecteur en forme de boîte pleine soit contre le haut de l'enceinte ou contre le déflecteur incliné [13] (selon la conception du véhicule).

- Veiller à ce que le déflecteur en forme de boîte pleine soit à 1 po ou moins [19] des serpentins [10] et du condenseur [11] du réfrigérateur.

- Veiller à ce que le déflecteur en forme de boîte pleine fasse toute la largeur de l'intérieur de l'enceinte.



- Si la conception du véhicule empêche l'installation d'une bouche d'échappement de toit, installer une bouche d'échappement supérieure de paroi latérale.

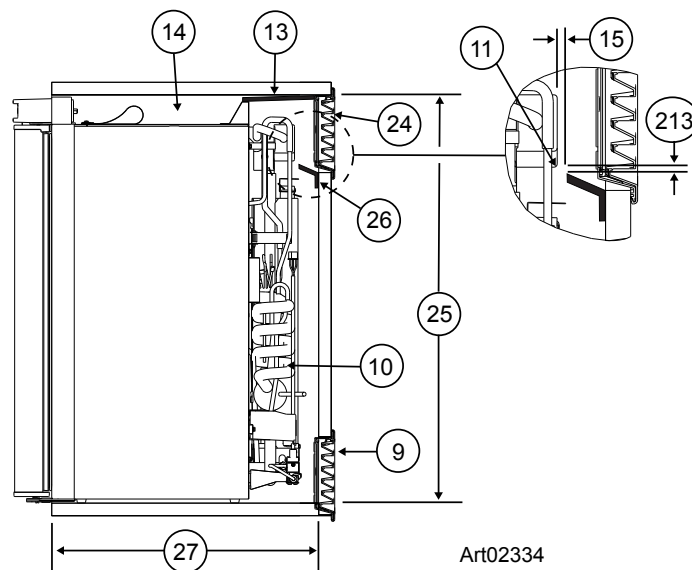
AVIS La distance entre l'avant du disjoncteur et l'arrière du condenseur [22] (voir Art02340) est de : 19 11/32 po pour le modèle N4104 • 19 1/16 po pour le modèle N4150. Pour le modèle N4141, cette distance est de 19 5/8 po.

AVIS La distance entre le bas du réfrigérateur (pieds compris) et le bas du condenseur [23] (voir Art02340) est de : 27 1/4 po pour le modèle N4104 • 42 9/16 po pour le modèle N4150. Pour le modèle N4141, cette distance est de 53 1/4 po.



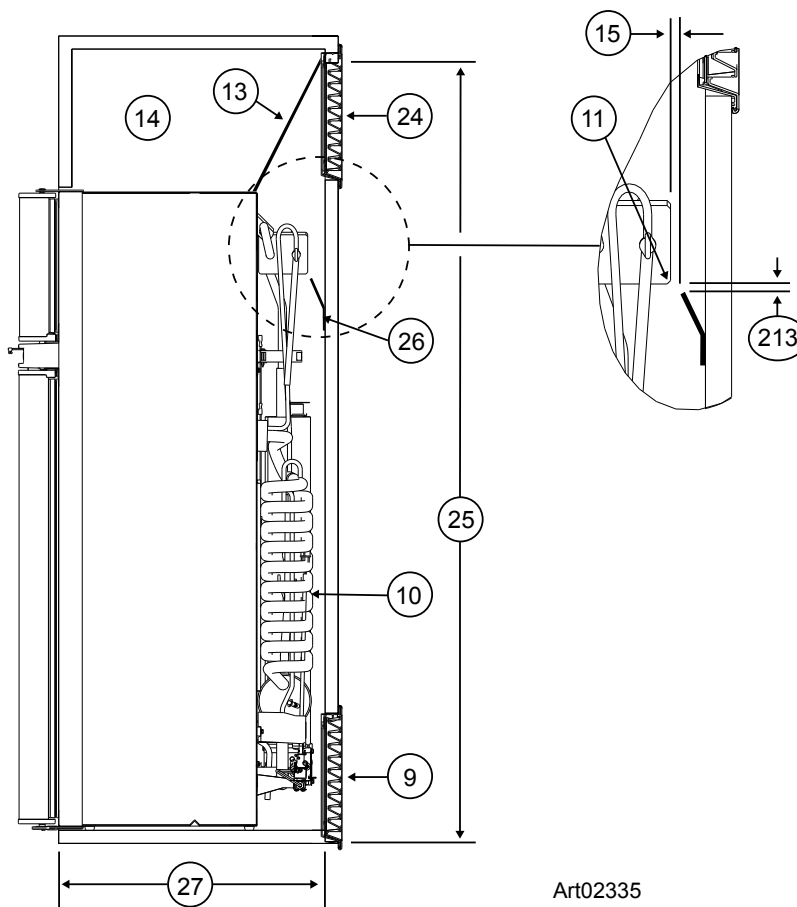
Utiliser seulement une bouche d'échappement supérieure de paroi latérale sur les modèles de réfrigérateurs équipés d'un ventilateur. Si l'on utilise une bouche d'échappement supérieure de paroi latérale sur un modèle de réfrigérateur qui n'est pas doté d'un ventilateur, les performances de réfrigération seront médiocres.

- S'assurer que le modèle du réfrigérateur est équipé d'un ventilateur.
- Poser la bouche d'échappement supérieure de paroi latérale [24] (voir Art02334 et Art02335).
- S'assurer que la distance [25] entre le bas de l'enceinte et le haut de la découpe de la bouche d'échappement supérieure est d'au moins : 32 1/2 po pour le modèle N4104 • 49 3/16 po pour le modèle N4150



Art02334

- S'assurer que la distance [25] entre le bas de l'enceinte et le haut de la découpe de la bouche d'échappement supérieure est d'au moins 64 po pour le modèle N4141.
- Aligner la bouche d'échappement supérieure [24] à l'horizontale au-dessus de la prise d'air inférieure [9] du réfrigérateur.
- Afin d'éviter tout air chaud stagnant dans l'espace au-dessus du réfrigérateur, installer un déflecteur en aluminium ou en tôle d'acier galvanisé [13] entre le haut du réfrigérateur et le haut de la bouche d'échappement supérieure.
 - Veiller à ce que le déflecteur fasse toute la largeur de l'intérieur de l'enceinte.



Art02335



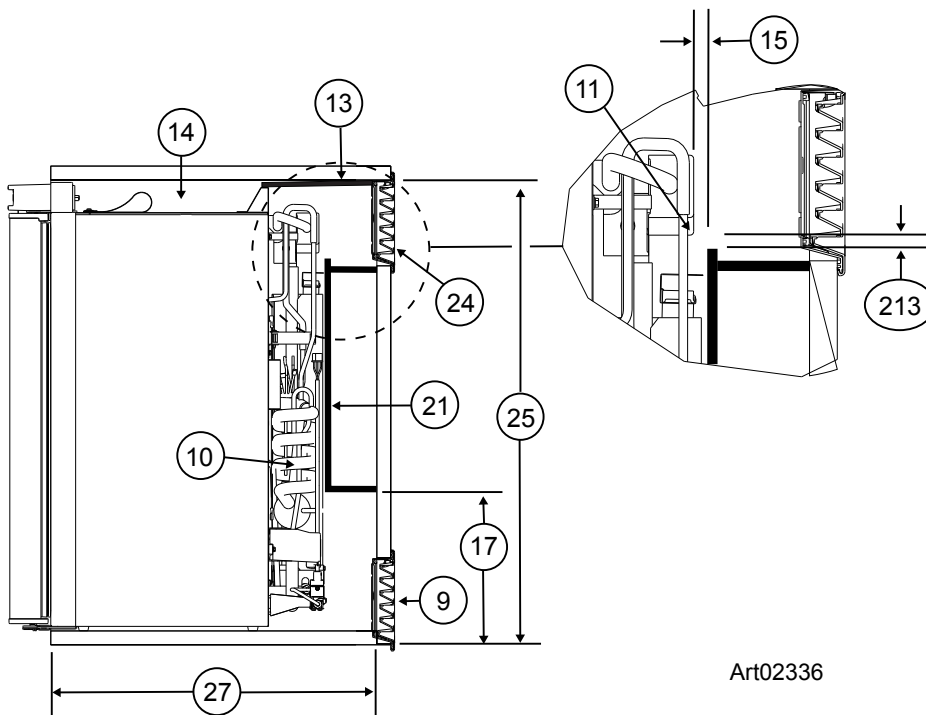
Le déflecteur supérieur [13] parachève le joint de combustion en haut du réfrigérateur. S'assurer de l'étanchéité du déflecteur sur tous les bords (contre le bord supérieur du réfrigérateur, contre les parois latérales de l'enceinte et contre la paroi du véhicule ou le plafond de l'enceinte au-dessus de la bouche de ventilation). Voir aussi la section intitulée « Joint de combustion ».

- Lors de l'utilisation d'une bouche d'échappement supérieure de paroi latérale :
 - Si la profondeur de l'enceinte est de 20 3/8 po ou davantage mais moins de 22 3/8 po [27], installer un déflecteur cintré en aluminium ou en tôle d'acier galvanisé [26] à l'arrière de l'enceinte (voir Art02334 et Art02335).
 - Si la profondeur de l'enceinte (pour le modèle N4141) est supérieure ou égale à 21 1/16 po, mais inférieure à 23 1/16 po [27], installer un déflecteur cintré en aluminium ou en tôle d'acier galvanisé [26] à l'arrière de l'enceinte (voir Art02334 et Art02335).
 - Veiller à ce que la courbure du déflecteur fasse toute la largeur de l'intérieur de l'enceinte.
 - S'assurer que la courbure du déflecteur affleure le bord inférieur du cadre de la porte de la bouche de prise d'air supérieure ou se trouve au-dessous de ce bord.
 - S'assurer que le bord supérieur du déflecteur se trouve entre 1/4 po [213] au-dessous du condenseur et 1 1/2 po au-dessus du bas du condenseur et qu'il y a un dégagement de 1/4 po au plus [15] entre l'arrière du condenseur et le déflecteur.
 - Le refroidissement est optimal lorsque le déflecteur se trouve à 1/4 po au-dessous du bas du condenseur.

- Si la profondeur de l'enceinte est de plus de 22 3/8 po [27], installer un déflecteur en forme de boîte pleine en bois, en aluminium ou en tôle d'acier galvanisé [21] entre la prise d'air inférieure et la bouche d'échappement supérieure (voir Art02336).

- Veiller à ce que le déflecteur en forme de boîte pleine fasse toute la largeur de l'intérieur de l'enceinte.

- Si la profondeur de l'enceinte est supérieure à 23 1/16 po (pour le modèle N4141) [27], installer un déflecteur en forme de boîte pleine en bois, en aluminium ou en tôle d'acier galvanisé [21] entre la prise d'air inférieure et la bouche d'échappement supérieure (voir Art02336).



Art02336

- S'assurer que la partie inférieure horizontale du déflecteur en forme de boîte pleine affleure le bord supérieur de la bouche d'échappement inférieure [9] ou se trouve au-dessus de ce bord.
- Veiller à ce que la distance entre le plancher de l'enceinte et le bord inférieur vertical du déflecteur en forme de boîte pleine [17] soit de 10 po pour le modèle N4104 • 12 po pour le modèle N4150 et 21 po pour le modèle N4141.
- Veiller à ce que l'arrière du déflecteur en forme de boîte pleine soit perpendiculaire au bas de l'enceinte.
- S'assurer que la partie supérieure horizontale du déflecteur en forme de boîte pleine affleure le bord inférieur de la bouche d'échappement supérieure [24] ou se trouve au-dessous de ce bord.
- S'assurer que le bord supérieur vertical du déflecteur se trouve entre 1/4 po [213] au-dessous du condenseur et 1 1/2 po au-dessus du bas du condenseur.
- Veiller à ce qu'il y ait un dégagement de moins de 1/4 po [15] entre l'arrière du condenseur et le déflecteur.

Inversion du pivotement de la porte (en option)



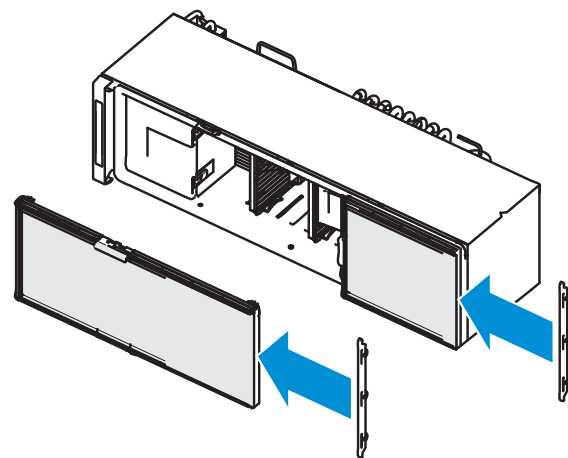
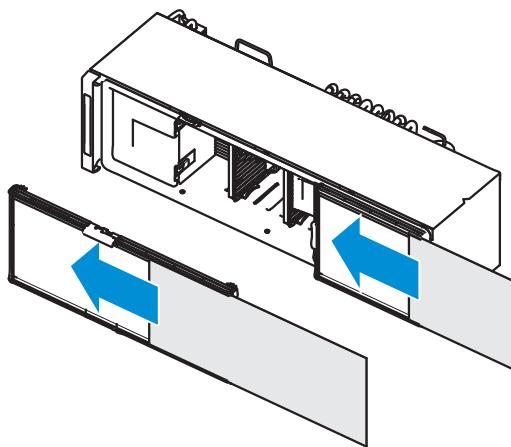
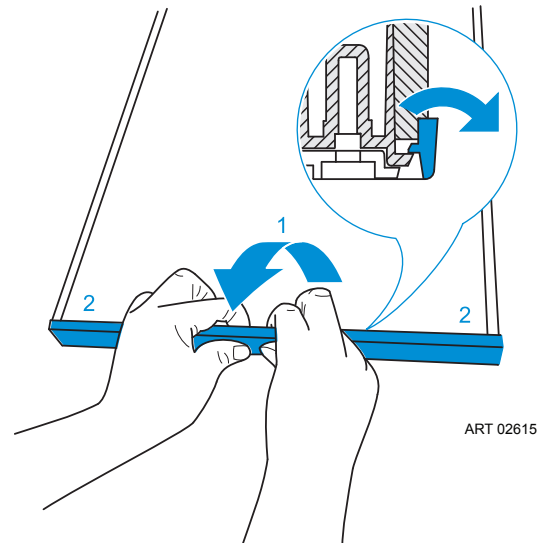
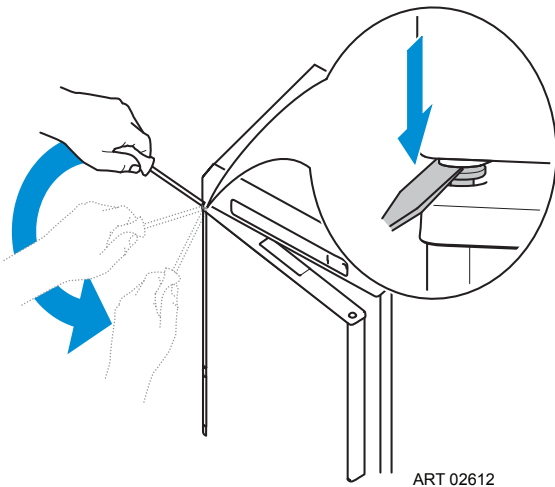
Les réfrigérateurs de la série N4000 sont conçus de façon à ce que le pivotement de la porte puisse être inversé sur le terrain, à l'aide de kits qui peuvent être achetés séparément. Inverser le pivotement de la porte avant d'installer le réfrigérateur dans le véhicule.

Installation des panneaux de porte — Modèle N4141

AVIS

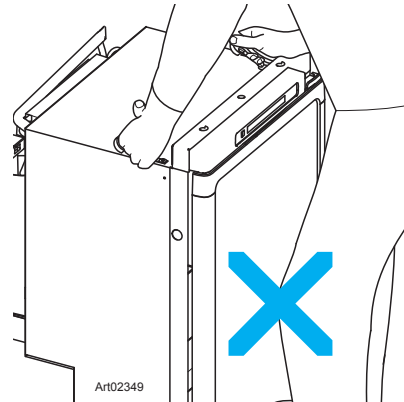
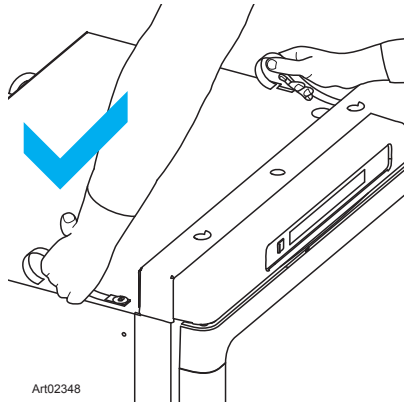
Les portes sont conçues pour accepter des panneaux décoratifs. Les panneaux décoratifs doivent être d'une épaisseur maximum de 0,12 po. Installer les panneaux décoratifs de porte sur les portes et dans les tiroirs du réfrigérateur, avant d'installer le réfrigérateur dans le véhicule.

1. Pour fabriquer un panneau de porte pour une caisse plate, le panneau doit avoir 15,47 po de largeur x 37,40 po de hauteur.
2. Pour fabriquer un panneau de porte pour un tiroir plat, le panneau doit avoir 15,47 po de largeur x 17,83 po de hauteur.
3. Installer les panneaux décoratifs :
 - Retirer la porte du réfrigérateur. (Voir Art02612.)
 - Enlever le dispositif de retenue des panneaux. (Voir Art02615.)
 - Tirer et incliner le dispositif de retenue des panneaux. Incliner la partie centrale, puis le côté gauche et le côté droit.
 - Insérer les panneaux dans la porte et le tiroir. (Voir Art02613.)
 - Remettre en place les dispositifs de retenue des panneaux en les encliquetant. (Voir Art02614.)
 - Remettre en place la porte du réfrigérateur.



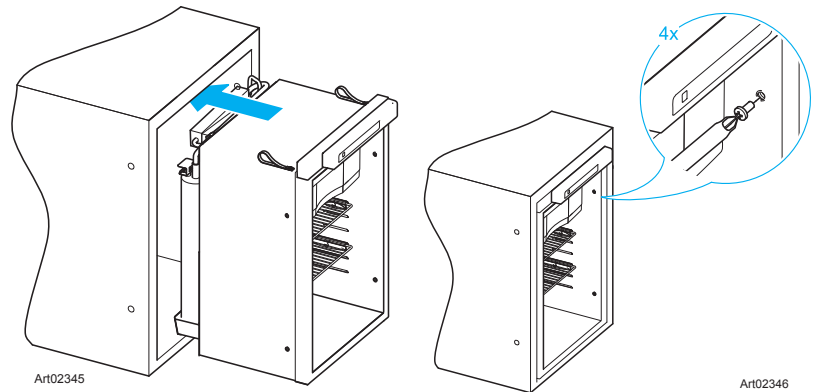
Manutention

Porter le réfrigérateur uniquement en se servant des sangles situées sur le dessus (1), le cas échéant. Ne pas soulever le réfrigérateur (2) à l'aide du genou.



Installation du réfrigérateur

- Faire entrer complètement le réfrigérateur dans l'enceinte.
- Se servir des vis pour fixer le réfrigérateur, et des capuchons blancs pour la finition.
 - Pour le modèle N4104, 4 vis et 4 capuchons blancs sont fournis.
 - Pour le modèle N4150, 6 vis et 6 capuchons blancs sont fournis.
 - Pour le modèle N4141, 6 vis et 6 capuchons blancs sont fournis.

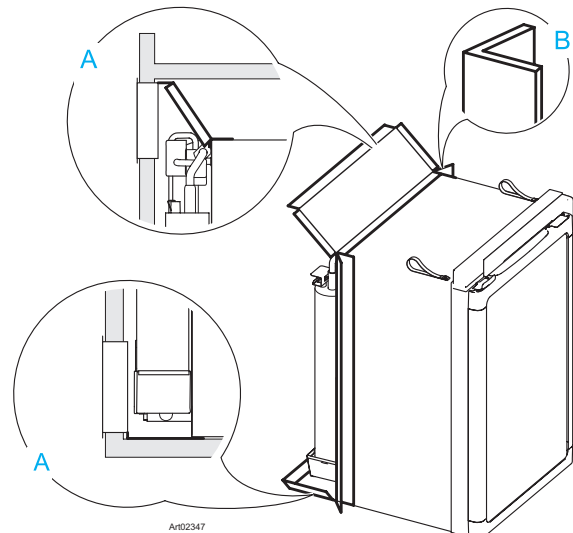


Joint de combustion

Placer le joint comme indiqué sur la figure.

Fixer les bandes aux côtés du réfrigérateur (B) dans le sens vertical à l'arrière du réfrigérateur.

Fixer le rabat supérieur et inférieur du joint de combustion (A) comme indiqué sur le schéma.





Le rabat supérieur (A) peut déjà avoir été installé comme déflecteur de ventilation. Voir aussi l'étape 3 de la section intitulée « Installation des bouches de ventilation supérieure et inférieure ».

La zone d'étanchéité ne doit pas laisser passer l'air dans l'habitacle.



Si les joints de combustion ne sont pas utilisés ou s'ils n'assurent pas une étanchéité correcte de l'unité, employer un type de joint différent pour empêcher les gaz de combustion dangereux de pénétrer dans l'habitacle du véhicule. Si le joint est interrompu, des gaz d'échappement peuvent s'infiltrer dans l'habitacle du véhicule. L'inhalation de gaz d'évacuation peut causer des vertiges, des nausées ou, dans les cas extrêmes, la mort.

Connexion des composants électriques

Fonctionnement sur courant alternatif, tension de 120 volts c.a. (132 volts max. - 108 volts min.)

Fonctionnement sur courant continu, tension de commande de 12 volts c.c. (15,4 volts max. - 10,5 volts min.)

Ce réfrigérateur fonctionne sur ces sources électriques. Le fonctionnement en dehors des limites indiquées peut endommager les composants du circuit électrique du réfrigérateur et annulera la garantie.



L'arrière du système de refroidissement du réfrigérateur comporte des surfaces chaudes et des surfaces coupantes susceptibles d'endommager le câblage électrique. S'assurer qu'il y a un bon dégagement entre tout le câblage électrique et le système de refroidissement du réfrigérateur. Placer tout le câblage électrique situé à l'intérieur de l'enceinte du réfrigérateur du côté opposé à celui du brûleur du réfrigérateur. Ne faire passer aucun câblage électrique à travers la bouche d'échappement du toit. Tout mauvais positionnement du câblage électrique peut entraîner des chocs électriques ou un incendie.

Branchement à l'alimentation 120 V c.a. :



Brancher le(s) cordon(s) d'alimentation c.a. uniquement dans une prise à trois lames avec masse. Ne pas retirer le contact de terre rond des cordons d'alimentation c.a. Ne pas utiliser un adaptateur à deux lames ou une rallonge avec les cordons d'alimentation c.a. L'utilisation du réfrigérateur sans masse appropriée peut causer des chocs électriques dangereux ou la mort en cas de contact avec les parties métalliques du réfrigérateur.

Brancher le(s) cordon(s) d'alimentation c.a. dans une prise à trois lames avec masse :

- S'assurer que la prise se trouve à portée facile de la prise d'air inférieure.
- Veiller à ce que le ou les cordons d'alimentation n'entrent pas en contact avec le couvercle du brûleur, le conduit de fumée ou tout composant brûlant qui risquerait d'endommager le matériau d'isolation des cordons.

Branchement à l'alimentation 12 V c.c. :

Le calibre de fil et la taille du fusible utilisés doivent être d'autant plus grands que le réfrigérateur est éloigné de la batterie du véhicule. Si le fil est de calibre trop petit pour la distance, une chute de tension se produit. La chute de tension réduit la puissance de l'élément chauffant du système et engendre de mauvaises performances de refroidissement.



Si des fils et (ou) fusibles de taille incorrecte sont employés, l'installation électrique risque de prendre feu.

1. Déterminer le calibre minimum de fil et la taille maximum de fusible à utiliser :

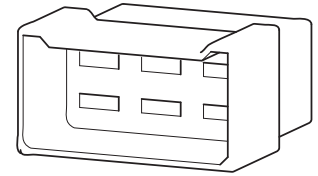
- Mesurer la distance entre la batterie du véhicule et le réfrigérateur.
 - Si la distance est de 0 à 20 pi, utiliser au moins un fil de calibre 10 AWG et un fusible de capacité maximum 30 A.
 - Si la distance est de plus de 20 pi, utiliser au moins un fil de calibre 8 AWG et un fusible de capacité maximum 40 A.
 - Si le fil est de calibre supérieur à la taille minimum, utiliser un fusible conforme à la norme RVIA A119.2 ou aux codes locaux.

2. Installer un fusible parmi les fils d'alimentation c.c. entre la batterie et le réfrigérateur.

- Mettre le fusible aussi près que possible de la batterie.

3. Brancher les fils d'alimentation c.c. :

Ces modèles sont dotés de 2 points de raccordement pour éviter que le réfrigérateur ne décharge la batterie lorsque le moteur ne tourne pas.



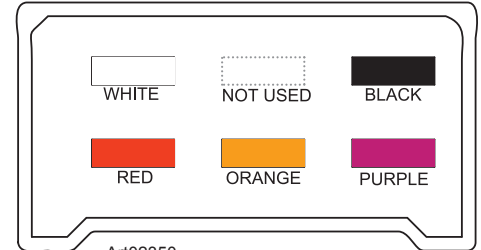
Art02370

Alimentation haute intensité câble rouge (+) et câble blanc (-) pour l'élément chauffant. Activé uniquement si signal sur D+

D'alimentation basse intensité violet (+) et noir (-) pour circuit électronique

Signal D+ orange (+) lorsque le moteur tourne

Utiliser un boîtier Stocko / Tyco / Amp à 6 pôles ou l'équivalent avec des connecteurs Lear ou l'équivalent, câblés comme indiqué.



Art02350

TYCO / AMP 280314

AVIS Ne pas utiliser le châssis du réfrigérateur ou celui du véhicule comme conducteur. Relier les fils d'alimentation c.c. uniquement à la batterie et au cordon d'alimentation c.c. du réfrigérateur.

Connecter les composants électriques - Option bidirectionnelle

Lorsque l'option bidirectionnelle est connectée, l'alimentation 12 V CC sera désactivée et seule l'alimentation CA et CA est disponible. Pour utiliser l'option bidirectionnelle, connectez le câblage conformément à ce schéma. (Voir Art02752) Le connecteur 12 V de la carte de commande de l'alimentation est fourni par Thetford. Un pont de câble devra être réalisé par le constructeur.

Connectivity

To connect the refrigerator to the central board of the vehicle, use the CI-bus protocol (please refer to: www.civd.de).



Tout message d'erreur provenant du réfrigérateur et affiché sur l'écran principal ne doit pas gêner le conducteur. Par exemple: lumières et / ou sons provenant de l'affichage principal pendant la conduite



Il n'y a pas de circuit de protection contre le déchargement de la charge sur l'électronique du réfrigérateur CI-bus. Thetford exige qu'un circuit de décharge de charge (conforme aux réglementations en vigueur) soit installé sur le maître du bus CI si le réfrigérateur est connecté au bus CI.

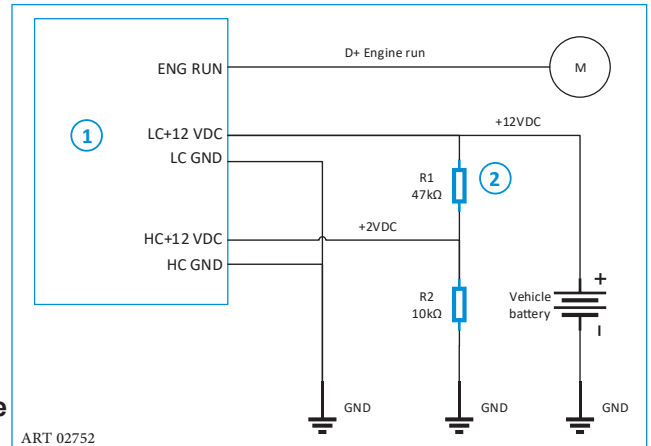
Le point de connexion du bus CI est situé à l'arrière du réfrigérateur. (Voir art02753)



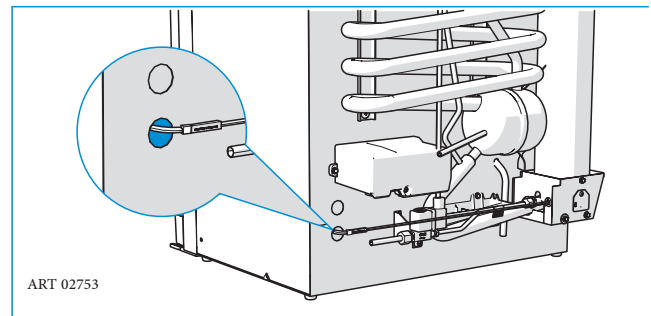
La connexion CI-Bus n'est pas disponible pour les modèles avec batterie.

Prise de connexion CI-bus sur le réfrigérateur: (voir art02755)
Connecteur Mini-Fit Jr. (mâle) fournisseur Molex PN 39012020, longueur de câble; 90mm.

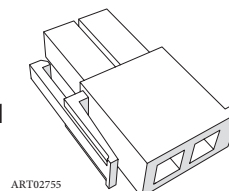
Partie de compteur de connecteur de bus CI-bus: (voir Art02754)
Mini-Fit Jr..Mini Fit Jr. Connecteur (femelle) fournisseur olex, Pn 39012021



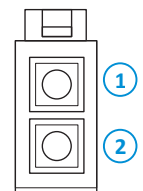
ART 02752



ART 02753



ART02755



ART02754

Branchement des éléments du gaz propane

Ce réfrigérateur fonctionne au gaz propane à une pression de 11 po de colonne d'eau.

Les commandes fonctionnent sur un courant de 12 volts c.c. (10,5 volts min. à 15,4 volts max.). Le fonctionnement en dehors de ces limites peut endommager les composants du circuit électrique du réfrigérateur et annulera la garantie.

Raccordement du système d'alimentation en gaz propane :



Faire preuve de grande prudence lors de l'intervention sur le système de gaz propane ou du travail à proximité.

- Ne pas fumer ni utiliser une flamme nue à proximité du système de gaz propane.
- Ne pas se servir d'une flamme nue pour rechercher les fuites.
- Ne pas brancher le réfrigérateur à la bouteille de gaz propane en l'absence d'un manodétendeur entre les deux.
- Pour éviter une fuite de gaz propane, toujours se servir de deux clés pour serrer ou desserrer les raccords du tuyau d'arrivée de gaz propane.
- Le gaz propane qui s'échappe risque de s'enflammer ou d'exploser, d'où risque de blessures graves ou mortelles.

Branchement du tuyau d'arrivée de gaz au réfrigérateur :

- S'assurer que tous les tuyaux et raccords respectent les codes locaux, provinciaux et fédéraux s'appliquant à leurs types et dimensions.
- S'assurer que tous les raccords métalliques souples sont conformes à la Norme actuelle CAN1-6.10.
- S'assurer que les matériaux utilisés pour le tuyau d'arrivée de gaz respectent à la fois les normes actuelles ANSI A 119.2 (NFPA 1192) et ACNOR Z240 pour les véhicules de loisir. Norcold recommande l'utilisation d'un tube en cuivre de 3/8 po comme tuyau d'arrivée de gaz et requiert un raccord mâle conique de 3/8 po SAE (UNF 5/8-18) comme connexion avec le réfrigérateur.
- Faire remonter le tuyau d'arrivée de gaz propane par le plancher de l'enceinte.
- Veiller à ce que le trou à travers le plancher soit suffisamment grand pour permettre un dégagement suffisant pour le tuyau d'arrivée de gaz.
- Placer un joint résistant aux intempéries (oeillet, matériau d'étanchéité, etc.) autour du tuyau d'arrivée de gaz là où il traverse le plancher, afin d'éviter toute vibration et abrasion.
- Pour éviter les vibrations et le frottement, veiller à ce que le tuyau d'arrivée de gaz ne touche rien dans l'enceinte.
- Brancher le tuyau d'arrivée de gaz au raccord du réfrigérateur.

Recherche de fuites dans le système d'arrivée de gaz :



Ne pas laisser la solution de détection des fuites entrer en contact avec les composants électriques. Nombre de liquides sont conducteurs et peuvent poser des risques de court-circuit, voire même d'incendie.

Employer une solution de détection des fuites pour vérifier l'étanchéité du tuyau d'arrivée de gaz et de tous les raccords de gaz propane. Si de l'air comprimé est utilisé pour le test :

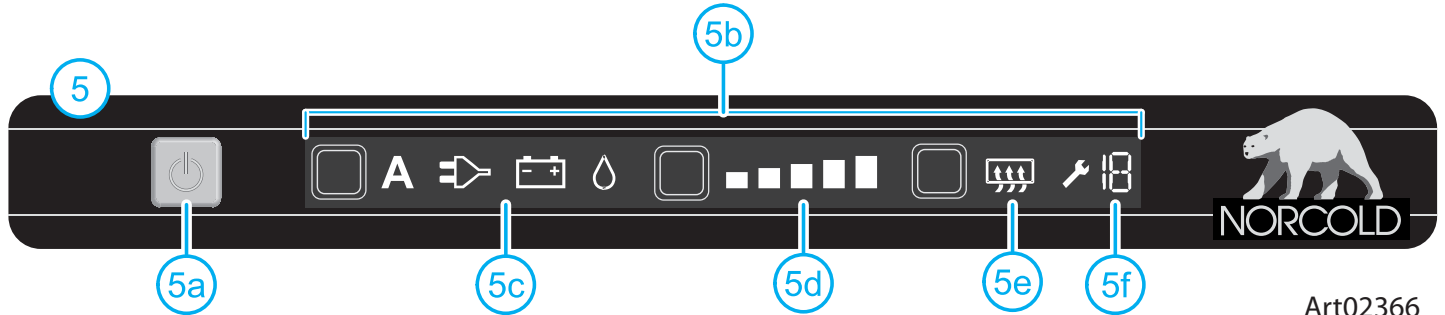
- La pression de l'air comprimé au niveau du robinet d'arrêt manuel du réfrigérateur ne doit pas dépasser 1/2 psig (colonne d'eau de 14 po).
- Si la pression de l'air comprimé est supérieure à 1/2 psig (colonne d'eau de 14 po), retirer le tuyau d'arrivée de gaz du raccord du réfrigérateur avant le test.
- Si la pression de l'air comprimé est égale ou inférieure à 1/2 psig (colonne d'eau de 14 po), fermer le robinet d'arrêt manuel du réfrigérateur avant le test.

Allumage et mise en marche

Avant l'allumage ou la mise en marche du réfrigérateur :

- S'assurer de l'absence d'obstruction ou de restriction de l'écoulement d'air dans la prise d'air inférieure, à travers les serpentins et le condenseur du réfrigérateur, et par la bouche d'échappement supérieure.
- S'assurer qu'il n'y a pas de matières combustibles à l'intérieur ni autour du réfrigérateur.

Tableau de commande avec écran tactile





Art02366

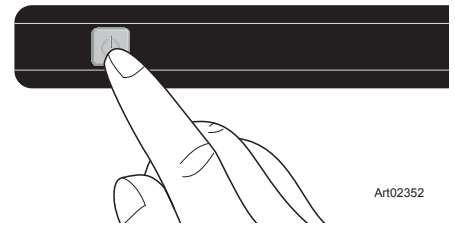
Tableau de commande avec écran tactile à cristaux liquides	5
Interrupteur marche/arrêt	5a
Écran tactile.....	5b
Symboles de mode.....	5c
Indicateurs de niveau de refroidissement	5d
Symbole « anticondensation » (modèle N4150 uniquement).....	5e
Code d'erreur.....	5f

Purge d'air des tuyaux d'arrivée de gaz propane :

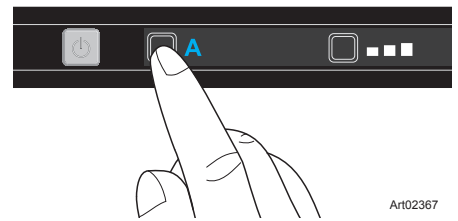
Pour des raisons de sécurité, le brûleur est fait pour s'allumer au contact du gaz propane dans un délai donné. La première fois que le réfrigérateur est mis en marche, après son entreposage ou après le changement de la bouteille de gaz propane, il est possible qu'il reste de l'air dans les tuyaux d'arrivée de gaz propane. Dans ce cas, le brûleur risque d'avoir du mal à s'allumer au gaz propane dans le délai imparti.

Pour purger l'air des tuyaux d'arrivée de gaz propane :

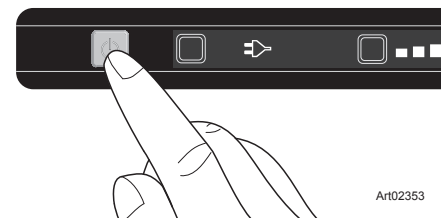
- Vérifier que tous les robinets de gaz sont ouverts.
- Pour mettre en marche le réfrigérateur, appuyer sur l'interrupteur marche/arrêt et le maintenir enfoncé pendant 1 seconde, comme illustré. Un témoin devient vert sur l'interrupteur marche/arrêt.
- Appuyer plusieurs fois sur le bouton de source d'énergie, comme illustré. Appuyer jusqu'à ce que la flamme  apparaisse sur l'affichage. Ceci signifie que le réfrigérateur fonctionne au gaz propane.
- Le réfrigérateur entame un essai d'allumage de 30 secondes. Durant cet essai de 30 secondes, les commandes du réfrigérateur ouvrent la valve de sécurité et l'allumeur produit une étincelle. Au bout de 30 secondes, les commandes du réfrigérateur ferment la valve de sécurité et l'allumeur ne fait plus d'étincelle.
- Si la présence d'air dans les tuyaux d'arrivée de gaz propane empêche le brûleur de s'allumer au gaz propane, le code d'anomalie  **3** apparaît sur l'affichage central.
- Appuyer sur l'interrupteur marche/arrêt, comme illustré, et le maintenir enfoncé pendant 2 secondes pour arrêter le réfrigérateur. Tous les témoins s'éteignent.
- Pour entamer un autre essai d'allumage, appuyer sur l'interrupteur marche/arrêt et le maintenir enfoncé pendant 1 seconde afin de mettre en marche le réfrigérateur. Un témoin devient vert sur l'interrupteur marche/arrêt.
- Le réfrigérateur entame un autre essai d'allumage de 30 secondes. Durant cet essai de 30 secondes, les commandes du réfrigérateur ouvrent la valve de sécurité et l'allumeur produit une étincelle. Au bout de 30 secondes, les commandes du réfrigérateur ferment la valve de sécurité et l'allumeur ne fait plus d'étincelle.



Art02352



Art02367





Art02353


- Lorsque la flamme apparaît sur l'affichage et qu'il ne reste plus de code d'anomalie, cela signifie que le réfrigérateur fonctionne au gaz propane.
- Tout l'air est désormais purgé des tuyaux d'arrivée de gaz propane et, si désiré, le mode de fonctionnement AUTO peut être sélectionné.
- Selon la quantité d'air restant dans les tuyaux d'arrivée de gaz propane, il peut s'avérer nécessaire de répéter à deux ou trois reprises l'essai d'allumage de 30 secondes.
- Si le brûleur ne s'allume pas au gaz propane au bout de trois tentatives, consulter la section « Dépannage » de ce manuel ; si nécessaire, contacter le concessionnaire local ou un centre de service après-vente agréé Norcold.

Réglage des commandes pour le fonctionnement en mode automatique :

Appuyer plusieurs fois sur le bouton de source d'énergie, comme illustré. Appuyer jusqu'à ce que la source d'énergie désirée (A, « auto ») soit sélectionnée et affichée. **A**

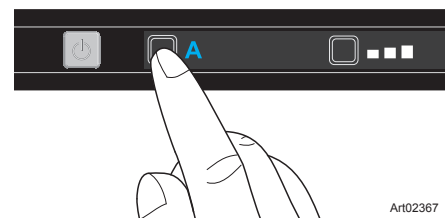
Si le moteur tourne, le mode c.c. sera sélectionné et affiché. 

Si le moteur ne tourne pas et qu'une alimentation 120 volts c.a. est disponible pour le réfrigérateur, le mode c.a. sera sélectionné et affiché. 

Si le moteur ne tourne pas et qu'une alimentation 120 volts c.a. N'EST PAS disponible pour le réfrigérateur, le mode gaz sera sélectionné et affiché. 

Si le gaz ne s'allume pas après plusieurs tentatives, consulter la section « Dépannage » de ce manuel.

Si la fonction « Auto » du réfrigérateur est sélectionnée, mais qu'aucune source d'énergie n'est disponible, un témoin clignote en rouge sur l'interrupteur marche/arrêt.



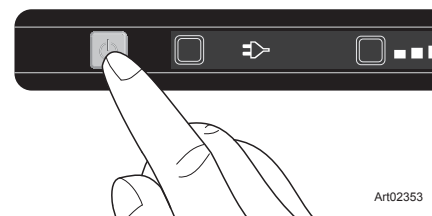
Art02367

Mise à l'arrêt du réfrigérateur

Avant de dégivrer le réfrigérateur ou de remettre le véhicule, mettre à l'arrêt le réfrigérateur. Appuyer sur l'interrupteur marche/arrêt, comme illustré, et le maintenir enfoncé pendant 2 secondes pour arrêter le réfrigérateur. Tous les témoins s'éteignent.

AVIS

Si le véhicule est remis pendant une longue période, veiller à débrancher le ventilateur à l'arrière du réfrigérateur, comme expliqué dans la section intitulée « Entreposage du réfrigérateur ».



Art02353

Retrait du réfrigérateur

Cette opération doit être effectuée par un concessionnaire ou un centre de service après-vente agréé Norcold.

ATTENTION

L'arrière du réfrigérateur présente des arêtes vives et des angles coupants. Pour éviter de se couper ou de s'écorcher lors du travail sur le réfrigérateur, faire attention et porter des gants résistant aux coupures.

1. Fermer le robinet à la ou aux bouteilles de gaz propane.

AVERTISSEMENT

Pour éviter les fuites de gaz propane, toujours se servir de deux clés pour serrer ou desserrer les raccords du tuyau d'arrivée de gaz.

2. Ouvrir la prise d'air inférieure et débrancher le cordon d'alimentation c.a. du réfrigérateur de la prise.

3. Retirer les fils c.c. du réfrigérateur :

- Débrancher le fusible c.c. ou les fils c.c. de la batterie ou du convertisseur du véhicule.
- Débrancher le cordon d'alimentation c.c. du réfrigérateur de la prise de raccordement du véhicule.

4. Débrancher le tuyau d'arrivée de gaz du raccord du réfrigérateur.

5. Retirer les capuchons en plastique blanc des côtés à l'intérieur du réfrigérateur.

6. Retirer les vis des côtés à l'intérieur du réfrigérateur.

7. Retirer le réfrigérateur de l'ouverture.