

NORCOLD

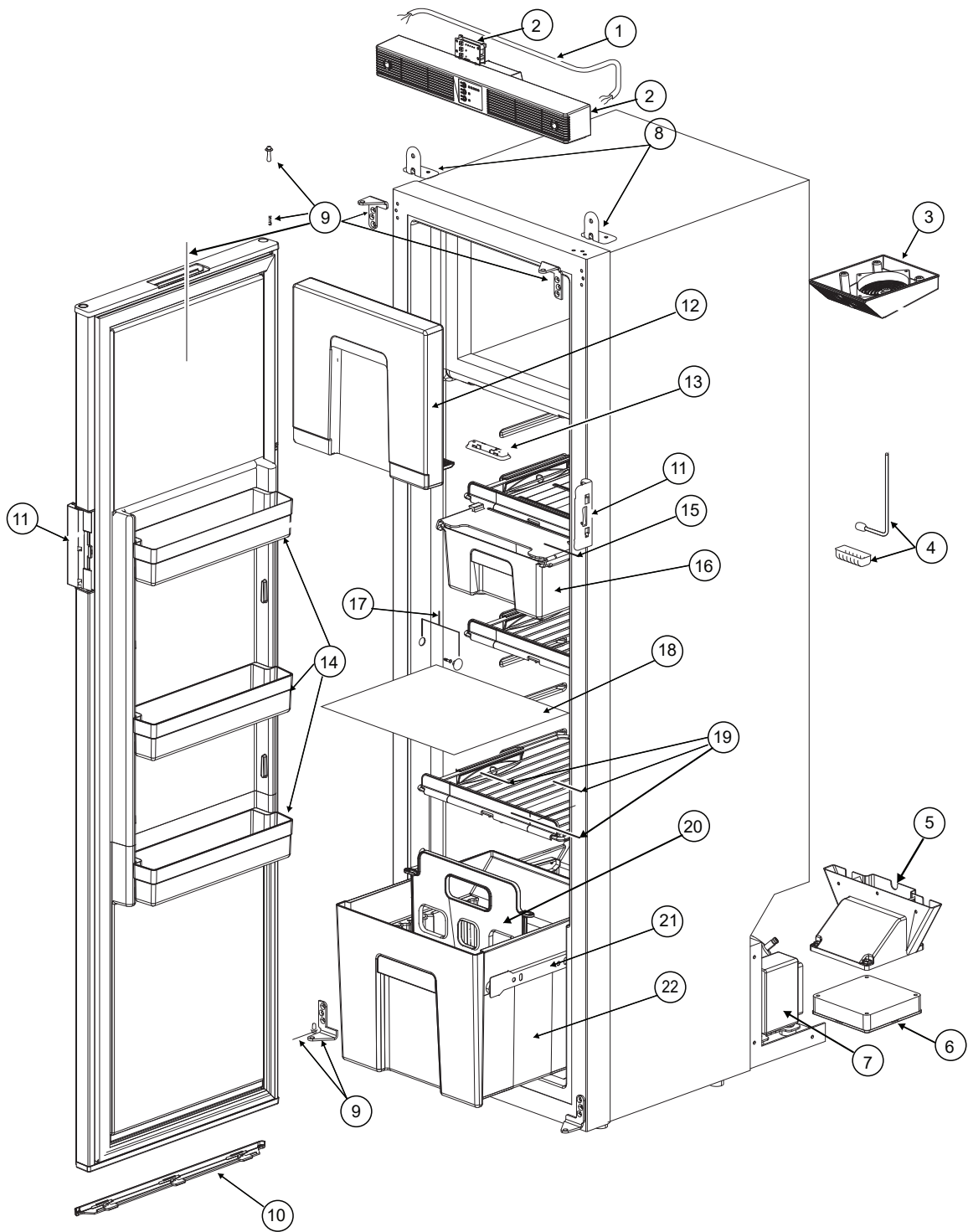


PARTS LIST

N1152

PART NO. 640631
NORCOLD 9/28/2020

CABINET AREA - N1152



CABINET AREA - N1152

NO.	PART #	DESCRIPTION	N1152
1	691873	POWER CORD	X
2	691861	CONTROL HOUSING	X
		CONTROL PCB	X
3	691867	INTERNAL FAN	X
4	691390	THERMISTOR	X
		THERMISTOR COVER	X
5	691887	CONDENSOR FAN COVER	X
6	691870	CONDENSOR FAN	X
7	691871	CONTROL MODULE	X
8	691875	CONTROL HOUSING BRACKET (2X)	X
9	691876	HINGE PLATE UPPER	X
		HINGE PIN UPPER	X
		HINGE SPRING	X
		CABINET DOOR	X
		HINGE PLATE BOTTOM	X
		HINGE PIN BOTTOM	X
10	692361	PANEL RETAINER LOWER	X
11	691866	DOOR HANDLE	X
		DOOR LOCK PLATE	X
12	691877	FREEZER DOOR	X
13	692360	INTERNAL LAMP COVER	X
14	691863	DOOR BIN (3X)	X
15	691865	COVER SLIDE OUT BOX	X
16	691864	SLIDE BOX	X
17	691869	CAP (4X)	X
		SCREW(4X)	X
18	692362	PLATE	X
19	691862	CLIP SHELF (3X)	X
		SHELF (3X)	X
		SHELF FOOD RETAINER (3X)	X
20	691878	DRAWER DIVIDER	X
21	691874	DRAWER GUIDE L+R	X
22	691860	DRAWER	X