



PARTS LIST

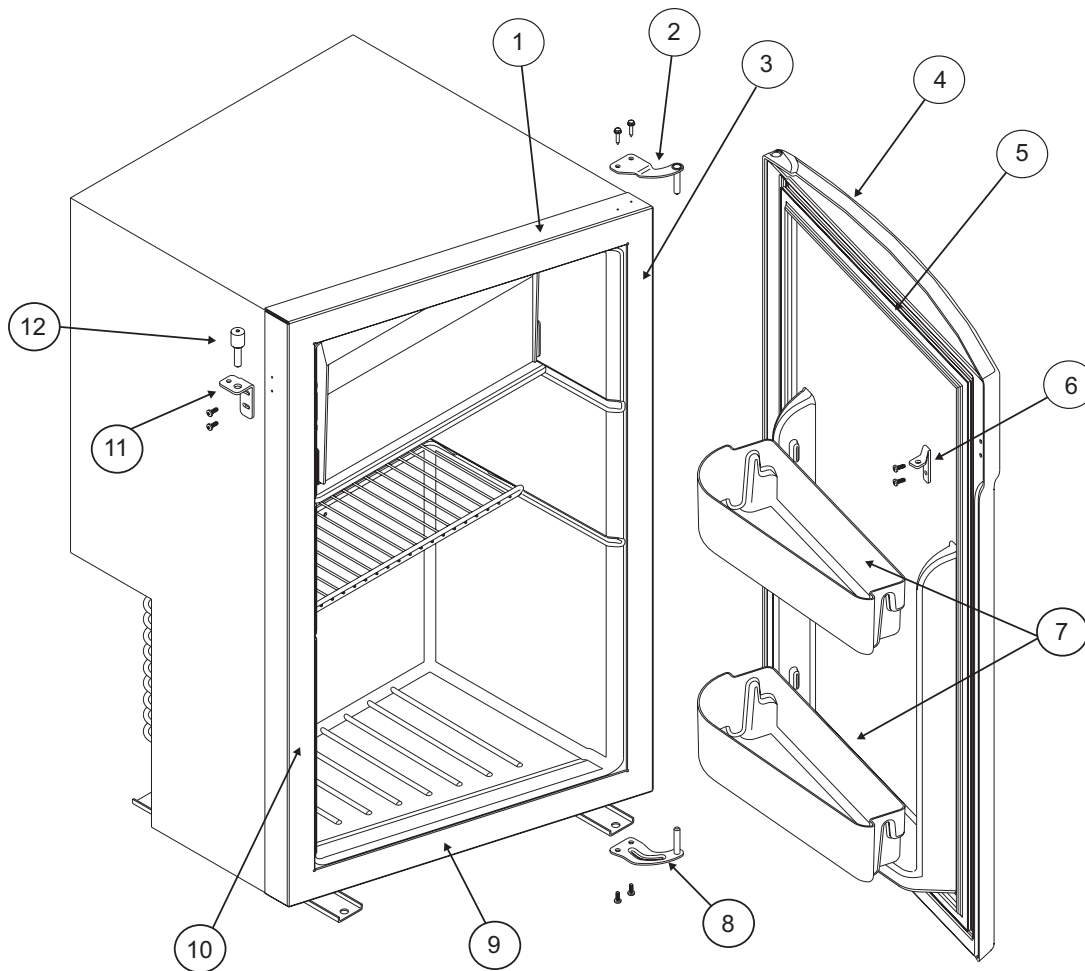
A diagram consisting of a horizontal line at the top, a vertical line extending downwards from its center, and a curved line that starts from the vertical line and curves to the right and down to the top-left corner of a rectangular callout box.

DCL5000 SERIES

DCL5001
DCL5002
DCL5003

PART # 634382
NORCOLD 9/18/2020

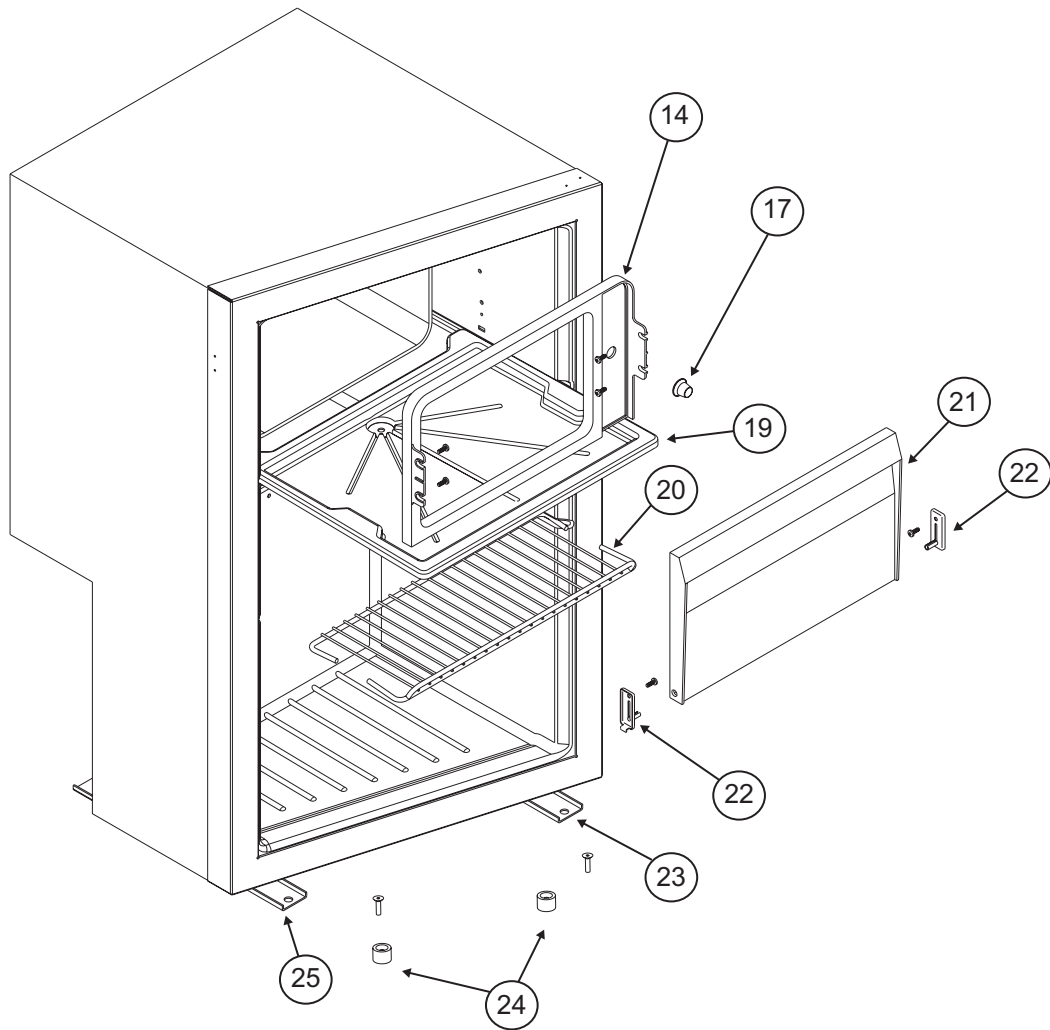
FRONT VIEW - DOOR AND CABINET PARTS



NO.	PART #	DESCRIPTION	MODEL
1	3230 109 0040	FRAME-CABINET/COVER/UPPER	ALL
2	1609 452 0000	HINGE ASSY-UPPER	ALL
3	3230 110 1040	FRAME-CABINET/COVER/RH	ALL
4	634370	DOOR ASSEMBLY-FOAMED-GRAY	DCL5001
	634371	DOOR ASSEMBLY-FOAMED-TAN	DCL5002
	634902	DOOR ASSEMBLY-FOAMED-BROWN	DCL5003
	638153	DOOR ASSEMBLY-WREN	DCL5004 DCL5004M4
5	4148 036 1020	DOOR GASKET-FRESH FOOD DOOR (USE 633745)	ALL
	633745	DOOR GASKET-FRESH FOOD DOOR (USE 638820)	ALL
	638820	KIT SERVICE DOOR GASKET REPLACEMENT	ALL
6	3220 659 0010	PLATE-DOOR LATCH (STRIKE PLATE)	ALL
7	4225 117 0010	DOOR BIN	ALL
8	1609 453 0000	HINGE ASSY-LOWER	ALL
9	3230 116 0040	FRAME-CABINET/COVER/LOWER	ALL
10	3230 110 0030	FRAME-CABINET/COVER/LH	ALL
11	3220 660 0010	PLATE-CABINET LATCH	ALL
12	634768	TRAVEL PIN ASSY	ALL

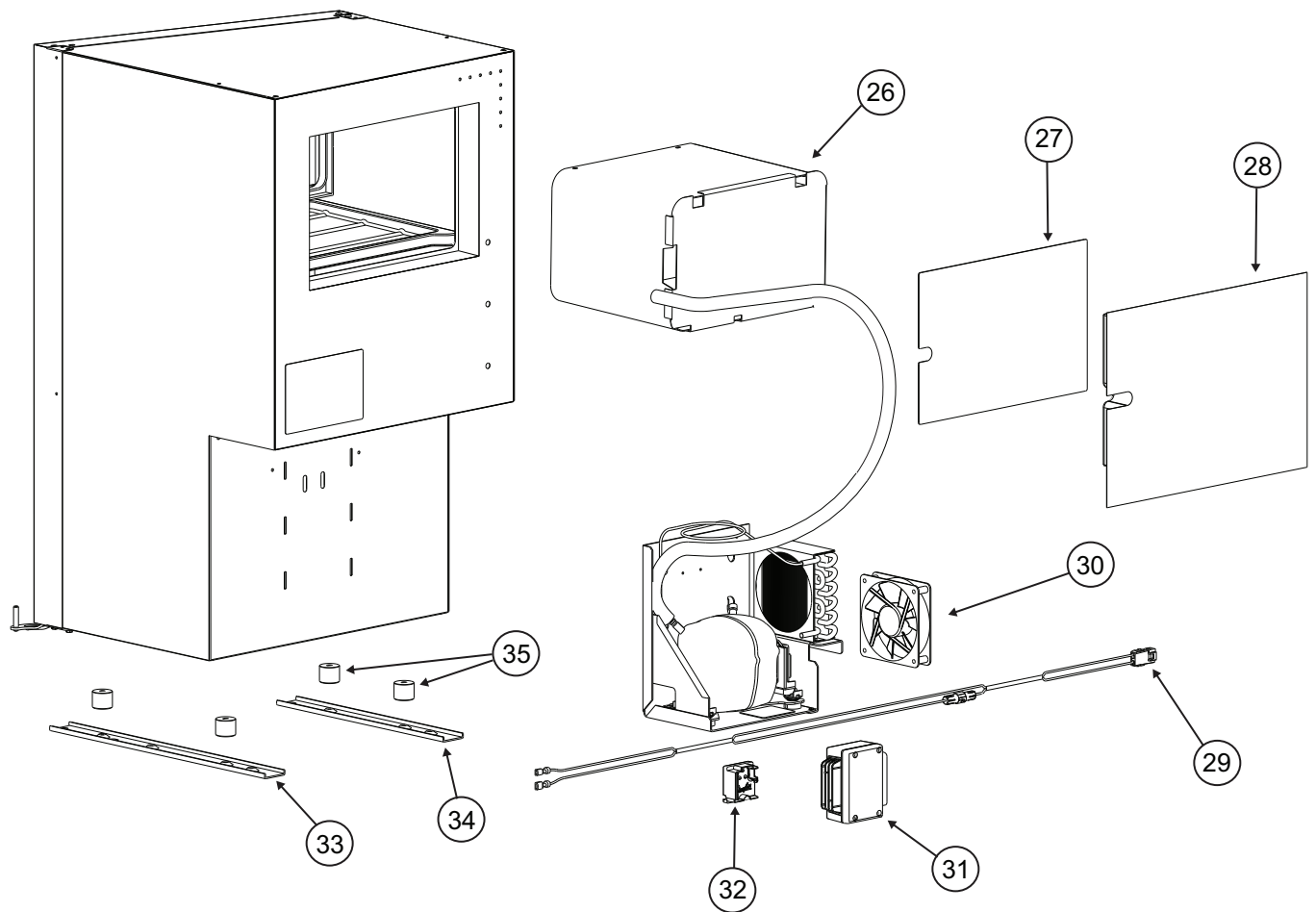
PART IS NO LONGER AVAILABLE

FRONT VIEW - INNER CABINET PARTS



NO.	PART #	DESCRIPTION	MODEL
14	4226 030 0010	FRAME-EVAPORATOR	ALL
15	634373	THERMOSTAT	ALL
17	61748722	KNOB	ALL
19	633659	DRAINAGE PAN	ALL
20	5230 043 0009	SHELF	ALL
21	633665	FREEZER DOOR ASSY	ALL
22	1609 048 0000	HINGE-EVAPORATOR DOOR	ALL
23	3223 974 0020	SUPPORT RAIL-CABINET RH (LONG)	ALL
24	3609 071 0010	SPACER-BOTTOM SUPPORT RAIL	ALL
25	3223 974 1020	SUPPORT RAIL-CABINET LH (SHORT)	ALL

REAR VIEW



NO.	PART #	DESCRIPTION	MODEL
26	634043	COOLING UNIT	ALL
27	633662	PLASTIC PLATE (USE 634348)	ALL
	634873	PLASTIC PLATE	ALL
28	633663	FOAMED SYSTEM PLUG	ALL
29	634743	DC LEADS (USE 635348)	ALL
	635348	DC LEADS	ALL
30	634664	FAN	ALL
31	634820	CONTROL MODULE (USE 637316)	ALL
	637316	CONTROL MODULE	ALL
32	634821	CONTROL MODULE MOUNTING KIT	ALL
33	3223 974 0020	SUPPORT RAIL-CABINET LH (LONG)	ALL
34	3223 974 1020	SUPPORT RAIL-CABINET RH (SHORT)	ALL
35	3609 071 0010	SPACER-BOTTOM SUPPORT RAIL	ALL
NS	634373	THERMOSTAT W/NUT	ALL
NS	634822	COMPRESSOR CONTROL REMOTE CABLE	ALL
NS	634384	THERMOSTAT WIRE W/RESISTOR (USE 635349)	ALL
	635349	THERMOSTAT WIRE	ALL

PART IS NO LONGER AVAILABLE

NS = NOT SHOWN