



PARTS LIST

N64/N84 SERIES

PANEL DOOR BROWN TRIM

N640.3
N640.3F

BLACK TRIM

N641
N641.3
N641.3F
N641C
N641F
N641IM
N641IMF

N841
N841.3
N841.3F
N841C
N841F
N841IM
N841IMF
N841IMV
N841V

N842
N842F
N842IM
N842IMF

N843IM
N843IMF

WRAPPED DOOR BLACK

N641BK
N641IMBK

N841.3BK
N841BK
N841BKF
N841BKV
N841IMBK
N841IMBKF

WRAPPED DOOR STAINLESS STEEL

N641.3SS
N641IMSS
N641IMSSF
N641SS
N641SSF

N841.3SS
N841SS
N841SSF
N841IMSS
N841IMSSF

N842IMSS
N842IMSSF
N842SS
N842SSF

N843IMSS
N843IMSSF

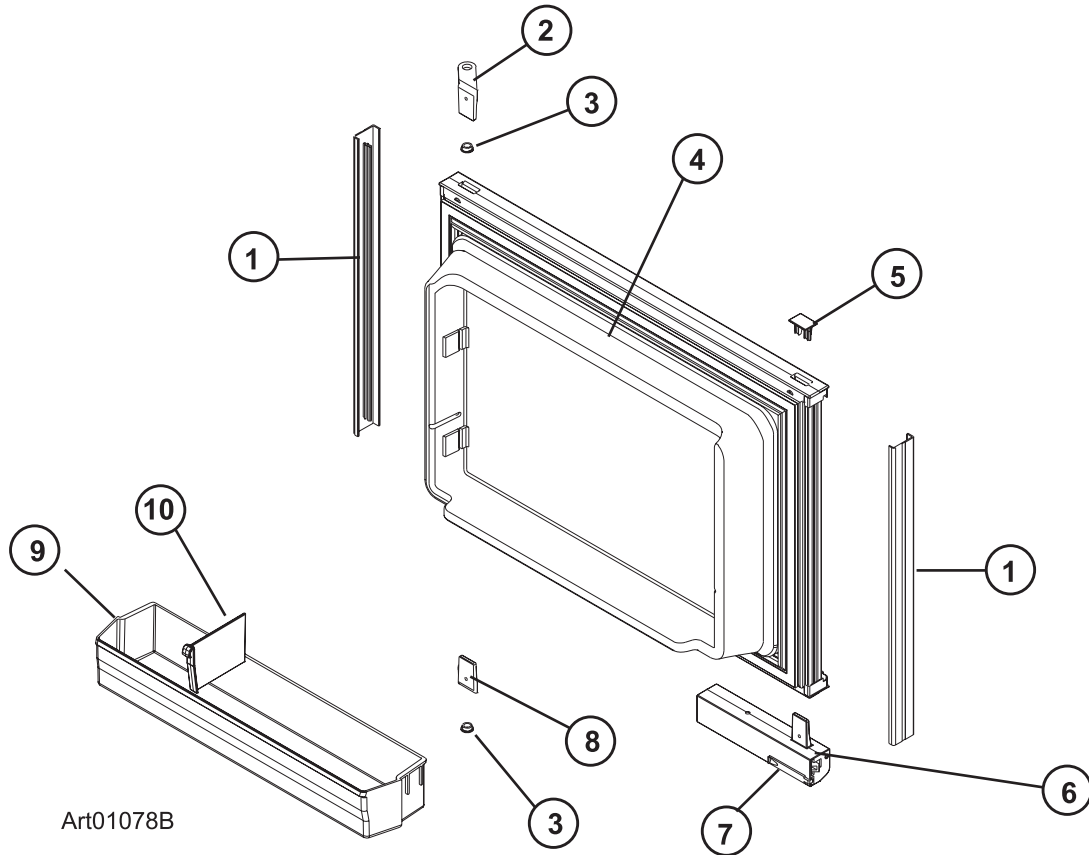
WRAPPED DOOR WHITE

N641WH
N641.3WH

N841.3WH
N841IMWH

NO
LONGER
PRODUCED

UPPER DOOR (FREEZER) - PANEL TYPE - MODEL SERIES N64/N84



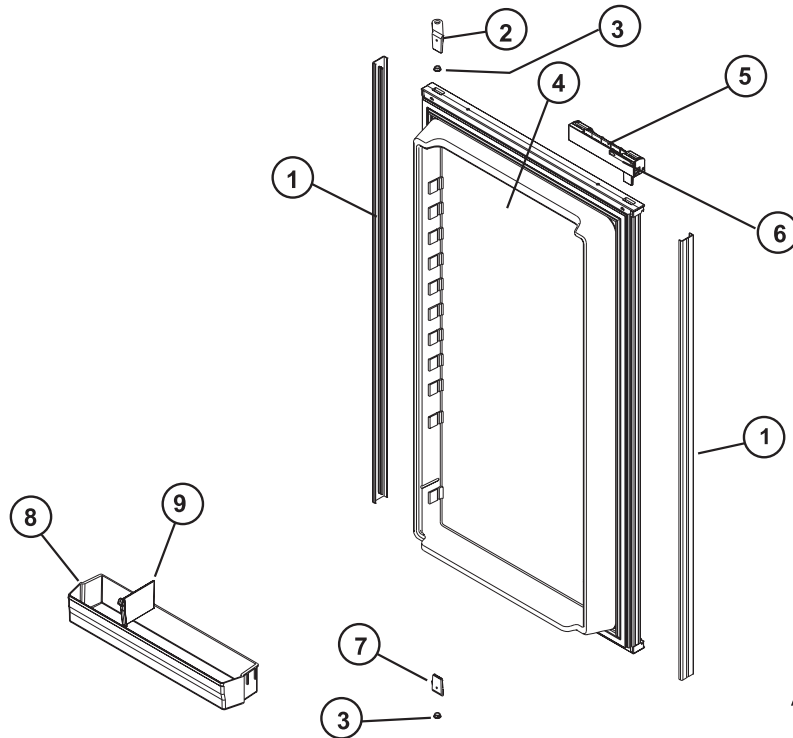
Art01078B

NO.	PART #	DESCRIPTION	(SERIES)	N640	N641	N841	N842	N843
1	623943	PANEL RETAINER-UPPER/BLACK/SDL (2 PER DOOR)		N641		N841	N842	N843
	624797	PANEL RETAINER-UPPER/BROWN/SDL (2 PER DOOR)		N640				
	619558	PANEL RETAINER-UPPER/BLACK/WDL (2 PER DOOR)		N641		N841	N842	N843
	622906	PANEL RETAINER-UPPER/BROWN/WDL (2 PER DOOR)		N640				
2	618511	HINGE-DOOR SIDE/TOP RH/BTM LH/BLACK/WDL		N641		N841	N842	N843
	622924	HINGE-DOOR SIDE/TOP RH/BTM LH/BROWN/WDL		N640				
3	619671	HINGE BUSHING-DOOR/WARM GRAY/WDL (2 PER DOOR)		ALL		ALL	ALL	ALL
4	623945	DOOR LINER ASSY-UPPER/PANEL/BLACK FRAME/SDL		N641		N841	N842	N843
	624813	DOOR LINER ASSY-UPPER/PANEL/BROWN FRAME/SDL		N640				
	619627	DOOR LINER ASSY-UPPER/PANEL/BLACK FRAME/WDL		N641		N841	N842	N843
	622897	DOOR LINER ASSY-UPPER/PANEL/BROWN FRAME/WDL		N640				
5	618160	CAP-HINGE PLUG/BLACK		N641		N841	N842	N843
	622989	CAP-HINGE PLUG/BROWN		N640				
6	621469	DOOR HANDLE ASSY-UPPER DOOR/RH SWING/PLASTIC/BLACK		N641		N841		N843
	622916	DOOR HANDLE ASSY-UPPER DOOR/RH SWING/PLASTIC/BROWN		N640				
	621105	DOOR HANDLE ASSY-UPPER DOOR/RH SWING/BLACK					N842	
	619866	DOOR HANDLE ASSY-UPPER DOOR/RH SWING/METAL/BLACK		N641		N841		N843
	622910	DOOR HANDLE ASSY-UPPER DOOR/RH SWING/METAL/BROWN		N640				
7	619648	LATCH-STORAGE/DOOR/METAL HANDLE/WARM GRAY		ALL		ALL	ALL	ALL
	622313	LATCH-STORAGE/DOOR/PLASTIC HANDLE/WARM GRAY		N641		N841		N843
8	618510	HINGE-DOOR SIDE/TOP LH/BTM RH/BLACK/WDL		N641		N841	N842	N843
	622923	HINGE-DOOR SIDE/TOP LH/BTM RH/BROWN/WDL		N640				
9	619006	BIN-DOOR SHELF/SMALL/CLEAR/WDL (1 PER DOOR)		ALL		ALL	ALL	ALL
	624864	BIN-DOOR SHELF/CLEAR/SDL (1 PER DOOR)		ALL		ALL	ALL	ALL
10	619008	DIVIDER-DOOR BIN/CLEAR/WDL/SDL (1 PER DOOR SHELF BIN)		ALL		ALL	ALL	ALL
NS	619569	BOLT-CAP SHOULDER/TORX HEAD (NOT SHOWN)		ALL		ALL	ALL	ALL

WDL = WAFFLE DOOR LINER SURFACE

SDL = SMOOTH DOOR LINER SURFACE

LOWER DOOR (FRESH FOOD) - PANEL TYPE - MODEL SERIES N64/N84



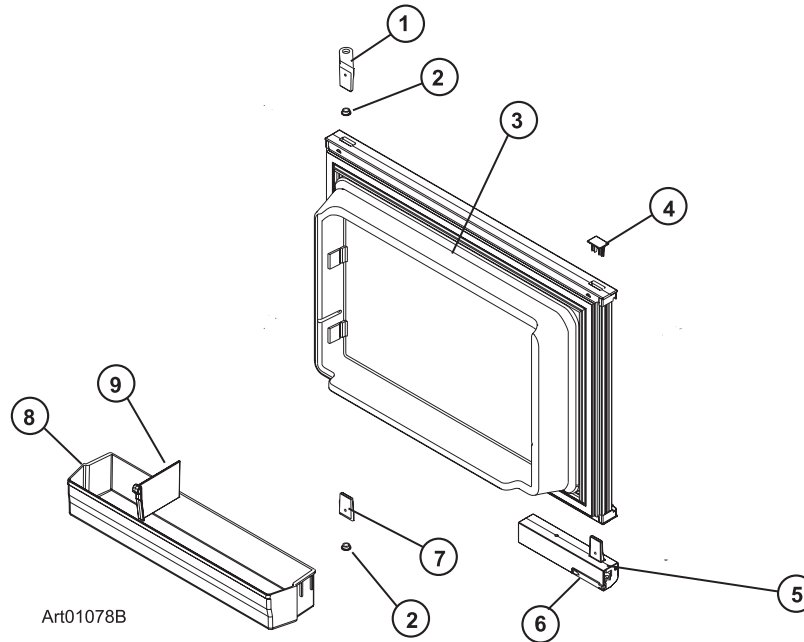
Art01079B

NO.	PART #	DESCRIPTION	(SERIES)	N640	N641	N841	N842	N843
1	623948	PANEL RETAINER-LOWER DOOR/6'/BLACK/SDL (2 PER DOOR)		N641				
	624799	PANEL RETAINER-LOWER DOOR/6'/BROWN/SDL (2 PER DOOR)		N640				
	623760	PANEL RETAINER-LOWER DOOR/8'/BLACK/SDL (2 PER DOOR)				N841	N842	N843
	619559	PANEL RETAINER-LOWER DOOR/6'/BLACK/WDL (2 PER DOOR)		N641				
	622907	PANEL RETAINER-LOWER DOOR/6'/BROWN/WDL (2 PER DOOR)		N640				
	619560	PANEL RETAINER-LOWER DOOR/8'/BLACK/WDL (2 PER DOOR)				N841	N842	N843
2	618511	HINGE-DOOR SIDE/TOP RH/BTM LH/BLACK/WDL		N641	N841	N842	N843	
	622924	HINGE-DOOR SIDE/TOP RH/BTM LH/BROWN/WDL		N640				
3	619671	HINGE BUSHING-DOOR/WARM GRAY (2 PER DOOR)		ALL	ALL	ALL	ALL	
4	623955	DOOR ASSY-LOWER/6'/PANEL/BLACK FRAME/SDL		N641				
	624812	DOOR ASSY-LOWER/6'/PANEL/BROWN FRAME/SDL		N640				
	623942	DOOR ASSY-LOWER/8'/PANEL/BLACK FRAME/SDL				N841	N842	N843
	619629	DOOR ASSY-LOWER/6'/PANEL/BLACK FRAME/WDL		N641				
	622898	DOOR ASSY-LOWER/6'/PANEL/BROWN FRAME/WDL		N640				
	619631	DOOR ASSY-LOWER/8'/PANEL/BLACK FRAME/WDL				N841	N842	N843
5	621465	DOOR HANDLE ASSY-LOWER DOOR/RH SWING/PLASTIC/BLACK		N641	N841			N843
	622915	DOOR HANDLE ASSY-LOWER DOOR/RH SWING/PLASTIC/BROWN		N640				
	621104	DOOR HANDLE ASSY-LOWER DOOR/RH SWING (N822/N842)					N842	
	619865	DOOR HANDLE ASSY-LOWER DOOR/RH SWING/METAL/BLACK		N641	N841			N843
	622909	DOOR HANDLE ASSY-LOWER DOOR/RH SWING/METAL/BROWN		N640				
6	622313	LATCH-STORAGE/DOOR/PLASTIC HANDLE/WARM GRAY		ALL	ALL			ALL
	619648	LATCH-STORAGE/DOOR/METAL HANDLE/WARM GRAY		ALL	ALL	ALL	ALL	ALL
7	618510	HINGE-DOOR SIDE/TOP LH/BTM RH/BLACK/WDL		N641	N841	N842	N843	
	622923	HINGE-DOOR SIDE/TOP LH/BTM RH/BROWN/WDL		N640				
8	624864	BIN-DOOR SHELF/CLEAR/SDL		2	3	3	3	
NS	624866	WIRE-BIN/SDL		ALL	ALL	ALL	ALL	ALL
	619006	BIN-DOOR SHELF/SMALL/CLEAR/WDL		2	3	3	3	
	619005	BIN-DOOR SHELF/LARGE/CLEAR/WDL		1	1	1	1	
9	619008	DIVIDER-DOOR BIN/CLEAR (1 PER DOOR SHELF BIN)		ALL	ALL	ALL	ALL	
NS	619569	BOLT-CAP SHOULDER/TORX HEAD (NOT SHOWN)		ALL	ALL	ALL	ALL	

WDL = WAFFLE DOOR LINER SURFACE

SDL = SMOOTH DOOR LINER SURFACE

UPPER DOOR (FREEZER) - WRAP TYPE - MODEL SERIES N64/N84



NO.	PART #	DESCRIPTION	N641	N841	N842	N843
1	618511	HINGE-DOOR SIDE/TOP RH/BTM LH/BLACK/SDL/WDL	ALL	ALL	ALL	ALL
2	619671	HINGE BUSHING-DOOR/WARM GRAY (2 PER DOOR)	ALL	ALL	ALL	ALL
3	624142	DOOR ASSY-UPPER/BLACK/VINYL COAT/WDL (SERIAL # 1315387 & BELOW) (USE 625874)		BK		
	625874	DOOR ASSY-UPPER/BLACK/POWDER COAT/WDL (SERIAL# 1315388 & ABOVE)	BK	BK	BK	BK
	627121	DOOR ASSY-UPPER/WRAP/BLACK/SDL (USE 632732)	BK	BK		
	632732	DOOR ASSY-UPPER/AT BLACK/SDL (FROM 07/10/08 THRU SERIAL # 12965198)	BK	BK		
	634065	DOOR ASSY-UPPER/ANCO BLACK/SDL (SERIAL # 12965199 & ABOVE)	BK	BK		
	623272	DOOR ASSY-UPPER/WRAP/STAINLESS/WDL		SS	SS	SS
	627102	DOOR ASSY-UPPER/WRAP/AL-CLEAN STAINLESS/SDL (USE 630091)	SS	SS	SS	SS
	630091	DOOR ASSY-UPPER/WRAP/VALSPAR STAINLESS/SDL	SS	SS	SS	SS
	632731	DOOR ASSY-6' UPPER/WRAP/AT STAINLESS/SDL (06/25/08 THRU S/N 12965541) (USE 634062)	SS			
		DOOR ASSY-8' UPPER/WRAP/AT STAINLESS/SDL (06/25/08 THRU S/N 12985380) (USE 634062)		SS	SS	SS
	634062	DOOR ASSY-6' UPPER/WRAP/ANCO STAINLESS/SDL (SERIAL # 12965542 & ABOVE)	SS			
		DOOR ASSY-8' UPPER/WRAP/ANCO STAINLESS/SDL (SERIAL # 12985381 & ABOVE)		SS	SS	SS
	627120	DOOR ASSY-UPPER/WRAP/WHITE/SDL	WH	WH		
	624143	DOOR ASSY-UPPER/WRAP/WHITE/WDL	WH	WH	WH	WH
4	618160	CAP-HINGE PLUG/BLACK	ALL	ALL	ALL	ALL
5	621469	DOOR HANDLE ASSY-UPPER DOOR/RH SWING/PLASTIC/BLACK	ALL	ALL		ALL
	621105	DOOR HANDLE ASSY-UPPER DOOR/RH SWING/BLACK			ALL	
	619866	DOOR HANDLE ASSY-UPPER DOOR/RH SWING/METAL/BLACK	ALL	ALL		ALL
6	622313	LATCH-STORAGE/DOOR/PLASTIC HANDLE/WARM GRAY	ALL	ALL		ALL
	619648	LATCH-STORAGE/DOOR/METAL HANDLE/WARM GRAY	ALL	ALL	ALL	ALL
7	618510	HINGE-DOOR SIDE/TOP LH/BTM RH/BLACK/SDL/WDL	ALL	ALL	ALL	ALL
8	624864	BIN-DOOR SHELF/CLEAR/SDL (1 PER DOOR)	ALL	ALL	ALL	ALL
	619006	BIN-DOOR SHELF/SMALL/CLEAR/WDL (1 PER DOOR)	ALL	ALL	ALL	ALL
9	619008	DIVIDER-DOOR BIN/CLEAR (1 PER DOOR SHELF BIN)	ALL	ALL	ALL	ALL
NS	619569	BOLT-CAP SHOULDER/TORX HEAD (NOT SHOWN)	ALL	ALL	ALL	ALL

BK = BLACK WRAPPED DOORS

SS = STAINLESS STEEL WRAPPED DOORS

WH = WHITE WRAPPED DOORS

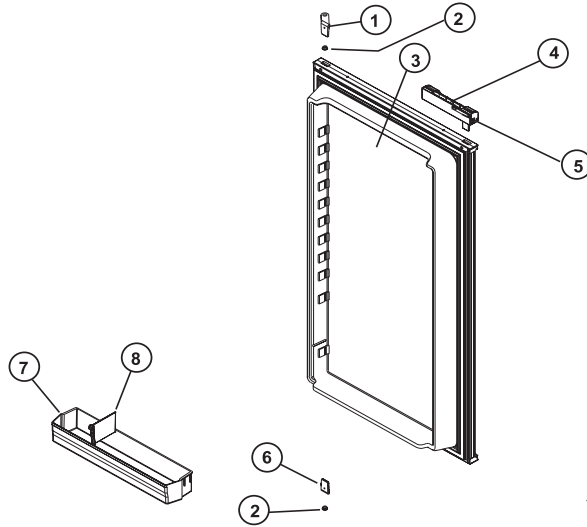
WDL = WAFFLE DOOR LINER SURFACE

SDL = SMOOTH DOOR LINER SURFACE



PART IS NO LONGER AVAILABLE

LOWER DOOR (FRESH FOOD) - WRAP TYPE - MODEL SERIES N64/N84



Art01079B

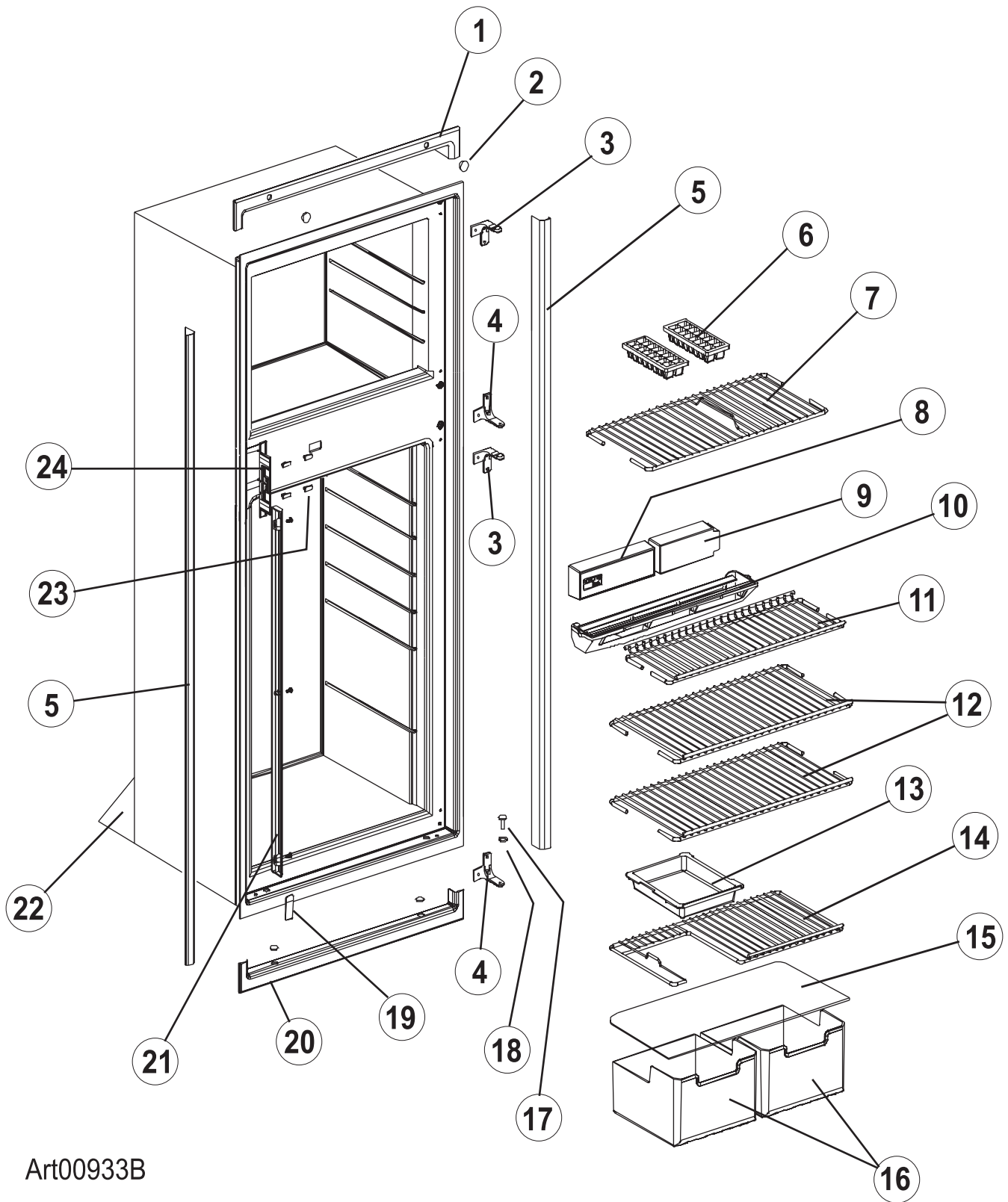
NO.	PART #	DESCRIPTION	N641	N841	N842	N843
1	618511	HINGE-DOOR SIDE/TOP RH/BTM LH/BLACK	ALL	ALL	ALL	ALL
2	619671	HINGE BUSHING-DOOR/WARM GRAY (2 PER DOOR)	ALL	ALL	ALL	ALL
3	625876	DOOR ASSY-LOWER/6'/WRAP/BLACK/POWDER COAT/WDL	BK			
	627125	DOOR ASSY-LOWER/6'/WRAP/BLACK/SDL	BK			
	632734	DOOR ASSY-LOWER/6'/WRAP/AT BLACK/SDL (FROM 07/10/08 THRU SERIAL # 12965198) (USE 634066)	BK			
	634066	DOOR ASSY-LOWER/6'/WRAP/ANCO BLACK/SDL (SERIAL # 12965199 & ABOVE)	BK			
	624144	DOOR ASSY-LOWER/8'/WRAP/BLACK/VINYL COAT/WDL (SERIAL # 1315387 & BELOW) (USE 625875)		BK		
	625875	DOOR ASSY-LOWER/8'/WRAP/BLACK/WDL/POWDER COAT (SERIAL# 1315388 & ABOVE)		BK		
	627129	DOOR ASSY-LOWER/8'/WRAP/BLACK/SDL (USE 634067)		BK		
	632738	DOOR ASSY-LOWER/8'/WRAP/AT BLACK/SDL (07/10/08 THRU S/N 12965198) (USE 634067)		BK		
	634067	DOOR ASSY-LOWER/8'/WRAP/ANCO BLACK/SDL (SERIAL # 12965199 & ABOVE)		BK		
	624147	DOOR ASSY-LOWER/6'/WRAP/STAINLESS/WDL	SS			
	627103	DOOR ASSY-LOWER/6'/WRAP/AL-CLEAN STAINLESS/SDL (USE 632733)	SS			
	630092	DOOR ASSY-LOWER/6'/WRAP/VALSPAR STAINLESS/SDL (USE 623733)	SS			
	632733	DOOR ASSY-LOWER/6'/WRAP/AT STAINLESS/SDL (FROM 06/25/08 THRU S/N 12965541) (USE 634063)	SS			
	634063	DOOR ASSY-LOWER/6'/WRAP/ANCO STAINLESS/SDL (SERIAL # 12965542 & ABOVE)	SS			
	623273	DOOR ASSY-LOWER/8'/WRAP/STAINLESS/WDL		SS	SS	SS
	627104	DOOR ASSY-LOWER/8'/WRAP/AL-CLEAN STAINLESS/SDL (USE 634064)		SS	SS	SS
	630093	DOOR ASSY-LOWER/8'/WRAP/VALSPAR STAINLESS/SDL (USE 634064)		SS	SS	SS
	632737	DOOR ASSY-LOWER/8'/WRAP/AT STAINLESS/SDL (FROM 06/25/08 THRU S/N 12985380) (USE 634064)		SS	SS	SS
	634064	DOOR ASSY-LOWER/8'/WRAP/ANCO STAINLESS/SDL (SERIAL # 12985381 & ABOVE)		SS	SS	SS
	624149	DOOR ASSY-LOWER/6'/WRAP/WHITE/WDL	WH			
627124	DOOR ASSY-LOWER/6'/WRAP/WHITE/SDL	WH				
624145	DOOR ASSY-LOWER/8'/WRAP/WHITE/WDL		WH			
627128	DOOR ASSY-LOWER/8'/WRAP/WHITE/SDL		WH			
4	621465	DOOR HANDLE ASSY-LOWER DOOR/RH SWING/PLASTIC/BLACK	ALL	ALL		ALL
	621104	DOOR HANDLE ASSY-LOWER DOOR/RH SWING (N822/N842)			ALL	ALL
	619865	DOOR HANDLE ASSY-LOWER DOOR/RH SWING/METAL/BLACK	ALL	ALL	ALL	ALL
5	619648	LATCH-STORAGE/DOOR/METAL HANDLE/WARM GRAY	ALL	ALL	ALL	ALL
6	618510	HINGE-DOOR SIDE/TOP LH/BTM RH/BLACK	ALL	ALL	ALL	ALL
7	624864	BIN-DOOR SHELF/CLEAR/SDL	3	4	4	4
	632458	WIRE-BIN/SDL (NOT SHOWN)	1	1	1	1
	619006	BIN-DOOR SHELF/SMALL/CLEAR/WDL (2 PER N64 DOOR)(3 PER N84 DOOR)	2	3	3	3
NS	619005	BIN-DOOR SHELF/LARGE/CLEAR/WDL (1 PER DOOR)	1	1	1	1
	619008	DIVIDER-DOOR BIN/CLEAR (1 PER DOOR SHELF BIN)	3	4	4	4
NS	619569	BOLT-CAP SHOULDER/TORX HEAD (NOT SHOWN)	ALL	ALL	ALL	ALL

BK = BLACK WRAPPED DOORS SS = STAINLESS STEEL WRAPPED DOORS WH = WHITE WRAPPED DOORS

WDL = WAFFLE DOOR LINER SURFACE SDL = SMOOTH DOOR LINER SURFACE

PART IS NO LONGER AVAILABLE

CABINET AREA (FRONT VIEW) - MODEL SERIES N64/N84



Art00933B

CABINET AREA (FRONT VIEW) - MODEL SERIES N64/N84

NO.	PART #	DESCRIPTION	N640 N641	N841	N842	N843
1	622319	TRIM PIECE ASSY-TOP/WITH INSERTS/BLACK (USE 622325)	N641	N841	N842	N843
	622931	TRIM PIECE ASSY-TOP/WITH INSERTS/BROWN (USE 622926)	N640			
2	618170	HOLE PLUG-FOR TOP TRIM PIECE/BLACK (2 PER CABINET)	N641	N841	N842	N843
	622930	HOLE PLUG-FOR TOP TRIM PIECE/BROWN (2 PER CABINET)	N640			
3	624785	HINGE-3 POINT/TOP RH/BTM LH/WRAP/BLACK/SDL (2 PER CABINET)	N641	N841	N842	N843
	623771	HINGE-3 POINT/TOP RH/BTM LH/PANEL/BLACK/SDL (2 PER CABINET)	N641	N841	N842	N843
	624787	HINGE-3 POINT/TOP RH/BTM LH/PANEL/BROWN/SDL (2 PER CABINET)	N640			
	619335	HINGE-3 POINT/TOP RH/BTM LH/PANEL/BLACK/WDL (2 PER CABINET) (USE 624785)	N641	N841	N842	N843
	622885	HINGE-3 POINT/TOP RH/BTM LH/PANEL/BROWN/WDL (2 PER CABINET)	N640			
4	624786	HINGE-3 POINT/TOP LH/BTM RH/WRAP/BLACK/SDL (2 PER CABINET)	N641	N841	N842	N843
	623772	HINGE-3 POINT/TOP LH/BTM RH/PANEL/BLACK/SDL (2 PER CABINET)	N641	N841	N842	N843
	624789	HINGE-3 POINT/TOP LH/BTM RH/PANEL/BLACK/SDL (2 PER CABINET)	N640			
	619336	HINGE-3 POINT/TOP LH/BTM RH/PANEL/BLACK/WDL (2 PER CABINET)	N641	N841	N842	N843
	622886	HINGE-3 POINT/TOP LH/BTM RH/PANEL/BLACK/WDL (2 PER CABINET)	N640			
5	622295	TRIM PIECE FOAM TAPE ASSY-SIDE/6'/BLACK (2 PER CABINET)	N641			
	623516	TRIM PIECE FOAM TAPE ASSY-SIDE/6'/BROWN (2 PER CABINET)	N640			
	622296	TRIM PIECE FOAM TAPE ASSY-SIDE/8'/BLACK (2 PER CABINET)		N841	N842	N843
6	61630422	ICE CUBE TRAY-(NON ICE MAKER MODELS ONLY)(2 PER CABINET)	ALL	ALL	ALL	
7	620249	SHELF-WIRE/FREEZER (ICE MAKER MODELS)	ALL	ALL	ALL	ALL
	620250	SHELF-WIRE/FREEZER (NON ICEMAKER) (S/N 17945280 AND BELOW)	ALL	ALL	ALL	
	632446	SHELF-WIRE/FREEZER (NON ICEMAKER) (S/N 17945281 AND ABOVE)	ALL	ALL	ALL	
8	628976	CONTROL ASSY-OPTICAL/BLACK (SERIAL# EG2=9044284 & ABOVE - EG3=8938728 & ABOVE) (USE 637780)	N641	N841	N842	N843
	637780	KIT SERVICE OPTICAL CONTROL REPLACEMENT	N641	N841	N842	N843
	629794	CONTROL ASSY-OPTICAL/BROWN (SERIAL# EG2=9044284 & ABOVE - EG3=8938728 & ABOVE) (USE 637781)	N640			
	637781	KIT SERVICE OPTICAL CONTROL REPLACEMENT	N640			
	619665	CONTROL ASSY-OPTICAL/BLACK (LIMITED AVAILABILITY) (SERIAL# EG2=9044283 & BELOW - EG3=8938727 & BELOW) (USE 637782)	N641	N841	N842	N843
	637782	KIT SERVICE OPTICAL CONTROL REPLACEMENT (USE 633287)	N641	N841	N842	N843
	633287	KIT-CONTROLS ADAPTER-BLACK/EG2 (SERIAL# = 9044283 & BELOW)	N641	N841	N842	N843
	633280	KIT-CONTROLS ADAPTER-BLACK/EG3 (SERIAL# = 8938727 & BELOW)	N641	N841		
633207	KIT-CONTROLS ADAPTER-BROWN/EG3 (SERIAL# = 8938727 & BELOW)	N640				
9	619282	FRONT BOX-BLACK	N641	N841	N842	N843
	622896	FRONT BOX-LIGHT BROWN (USE 622002)	N640			
	622002	FRONT BOX-BLACK	N640			
10	623250	DRIP TRAY-INSIDE (ONE PIECE DRIP TRAY & LOUVER)	ALL	ALL	ALL	ALL
11	620269	SHELF-WIRE/SHORT (S/N 17945280 AND BELOW)	ALL	ALL	ALL	ALL
	632448	SHELF-WIRE/SHORT (S/N 17945281 AND ABOVE)	ALL	ALL	ALL	ALL

CABINET AREA (FRONT VIEW) - MODEL SERIES N64/N84

12	620270	SHELF-WIRE/FULL (S/N 17945280 AND BELOW)	1	1	2	2
	632449	SHELF-WIRE/FULL (S/N 17945281 AND ABOVE)	1	1	2	2
13	617756	TRAY-SHELF/WHITE/CUT OUT	ALL	ALL	ALL	ALL
14	620268	SHELF-WIRE/CUT OUT (S/N 17945280 AND BELOW)	ALL	ALL	ALL	ALL
	632447	SHELF-WIRE/CUT OUT (S/N 17945281 AND ABOVE)	ALL	ALL	ALL	ALL
15	618158	CRISPER COVER-GLASS SHELF	ALL	ALL	ALL	ALL
16	619007	BIN-ICE/CRISPER/CLEAR (2 PER MODEL)(3 PER ICE MAKER MODEL)	ALL	ALL	ALL	ALL
17	618145	HINGE PIN-DOOR/BLACK (4 PER)/WDL PANEL/SDL WRAP)	N641	N841	N842	N843
	622925	HINGE PIN-DOOR/PANEL/BROWN (4 PER REFRIGERATOR)	N640			
	623899	HINGE PIN-UPPER/LOWER/BLACK/SDL PANEL (USE 638780)	N641	N841	N842	N843
	638780	KIT SERVICE UPPER HINGE PIN REPLACEMENT	N641	N841	N842	N843
	61550722	HINGE PIN-BOTTOM/WDL/SDL (USE 638636)	N641	N841	N842	N843
	638636	KIT SERVICE LWR HINGE PIN REPLACEMENT	N641	N841	N842	N843
18	619671	HINGE BUSHING-DOOR/WARM GRAY (4 PER REFRIGERATOR)	ALL	ALL	ALL	ALL
19	619301	COVER-HINGE HOLE/WHITE/3 POINT (2 PER CABINET)	ALL	ALL	ALL	ALL
20	622323	TRIM PIECE FOAM TAPE ASSY-CABINET/BOTTOM/BLACK	N641	N841	N842	N843
	622927	TRIM PIECE FOAM TAPE ASSY-CABINET/BOTTOM/BROWN (USE 622926)	N640			
21	618181	RETAINER-SHELF (SERIAL # 926963 AND BELOW)	N641	ALL	ALL	ALL
	622033	RETAINER-SHELF (SERIAL # 926964 AND ABOVE)	ALL	ALL	ALL	ALL
22	61586722	BRACE-CABINET/BACK	ALL	ALL	ALL	ALL
23	619561	HOLE PLUG-DIVIDER/WHITE (MODELS PRODUCED PRIOR TO 07/21/98)	N641	N841		
	620282	HOLE PLUG-DIVIDER/WHITE (MODELS PRODUCED AFTER 07/20/98)	ALL	ALL	ALL	ALL
24	618167	STRIKE PLATE-BLACK	N641	N841	N842	N843
	619673	STRIKE PLATE-WARM GRAY	N640			
NS	622325	KIT-INSTALLATION/BLACK (TRIM PIECES/SCREWS/PLUGS)(NOT SHOWN)	N641	N841	N842	N843
NS	622926	KIT-INSTALLATION/BROWN (TRIM PIECES/SCREWS/PLUGS)(NOT SHOWN)	N640			

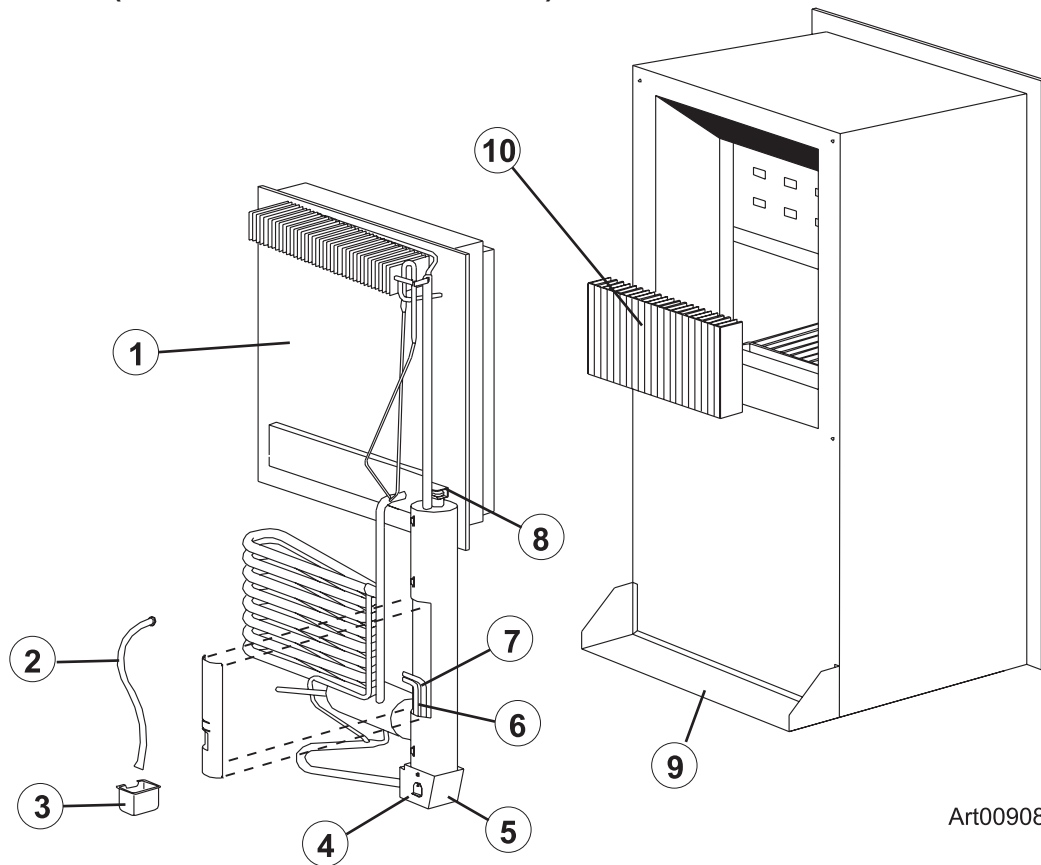
PART IS NO LONGR AVAILABLE

WDL = WAFFLE DOOR LINER SURFACE

SDL = SMOOTH DOOR LINER SURFACE

NOTE: IF THE CONTROL ASSY-OPTICAL HAS BEEN REPLACED WITH A KIT-CONTROL ADAPTOR, THE POWER BOARD MUST BE REPLACED WITH A NEW KIT-CONTROL ADAPTER.

CABINET AREA (REAR VIEW/COOLING UNIT) - MODEL SERIES N64/N84



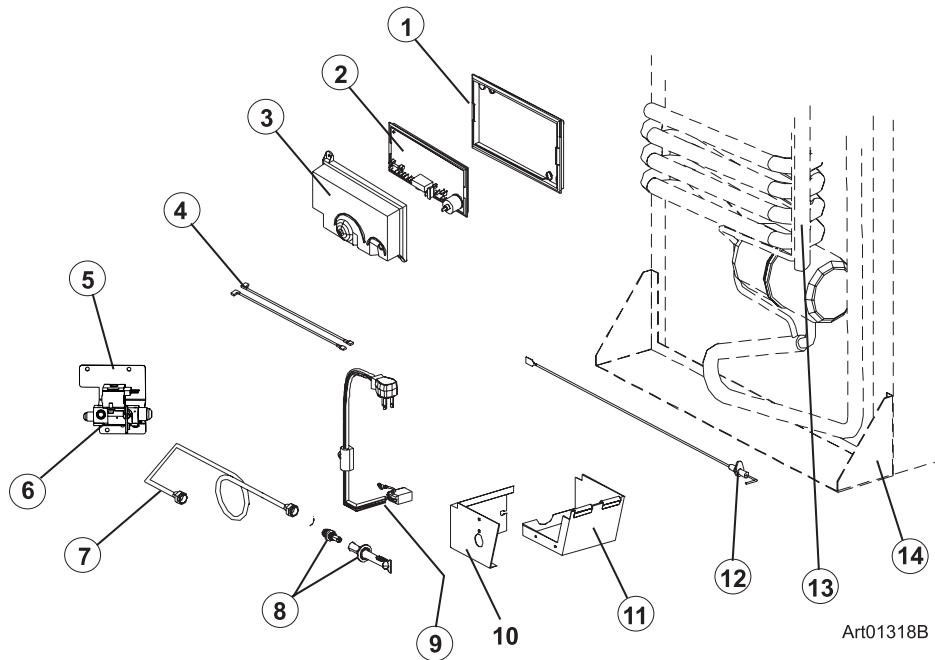
Art00908B

NO.	PART #	DESCRIPTION	(SERIES)	N640 N641	N841	N842	N843
1	632307	NSC SYSTEM PACK-COOLING UNIT (BACKER HEATER)		X			
	632314	NSC SYSTEM PACK-COOLING UNIT (BACKER HEATER)			X	X	X
	2M0802	THERMAL SWITCH/BRACKET ASSY (SEE NOTE)		X	X	X	X
NS	618111	BAFFLE/WIRE ASSY (NOT SHOWN)		X	X	X	X
2	622390	DRAIN HOSE ASSY		X			
	622391	DRAIN HOSE ASSY			X	X	X
	622857	KIT-DRAIN HOSE REPAIR		X	X	X	X
3	622546	DRIP CUP-REAR/PLASTIC		X	X	X	X
4	61712637	COVER ASSY-BURNER BOX		X	X	X	X
5	61695322	BASE-BURNER BOX		X	X	X	X
6	621702	HEATER-AC (COOLING UNIT SERIAL# 11231023 & BELOW)		X			
		HEATER-AC (COOLING UNIT SERIAL# 11232007 & BELOW)			X	X	X
	630811	HEATER-AC/BACKER (COOLING UNIT SERIAL# 11231024 & ABOVE)		X			
		HEATER-AC/BACKER (COOLING UNIT SERIAL# 11232008 & ABOVE)			X	X	X
7	626832	HEATER-DC (COOLING UNIT SERIAL# 11231023 & BELOW)		EG3			
		HEATER-DC (COOLING UNIT SERIAL# 11232007 & BELOW)			EG3	EG3	EG3
	630812	HEATER-DC/BACKER (COOLING UNIT SERIAL# 11231024 & ABOVE)		EG3			
		HEATER-DC/BACKER (COOLING UNIT SERIAL# 11232008 & ABOVE)			EG3	EG3	EG3
8	61695022	CAP-HEAT DEFLECTOR		X	X	X	X
9	61586722	BRACE-CABINET/BACK		X	X	X	X
10	61686823	FINS		X	X	X	X

NOTE: FOR COOLING UNITS WITH A THERMAL SWITCH.

CONTROLS (REAR VIEW) - MODEL SERIES N640.3, N641, N841, N842, N843

NOTE: FOR MODELS PRODUCED WITHOUT A SEPARATE MANUAL SHUT OFF VALVE (SERIAL # 656980 & AFTER)



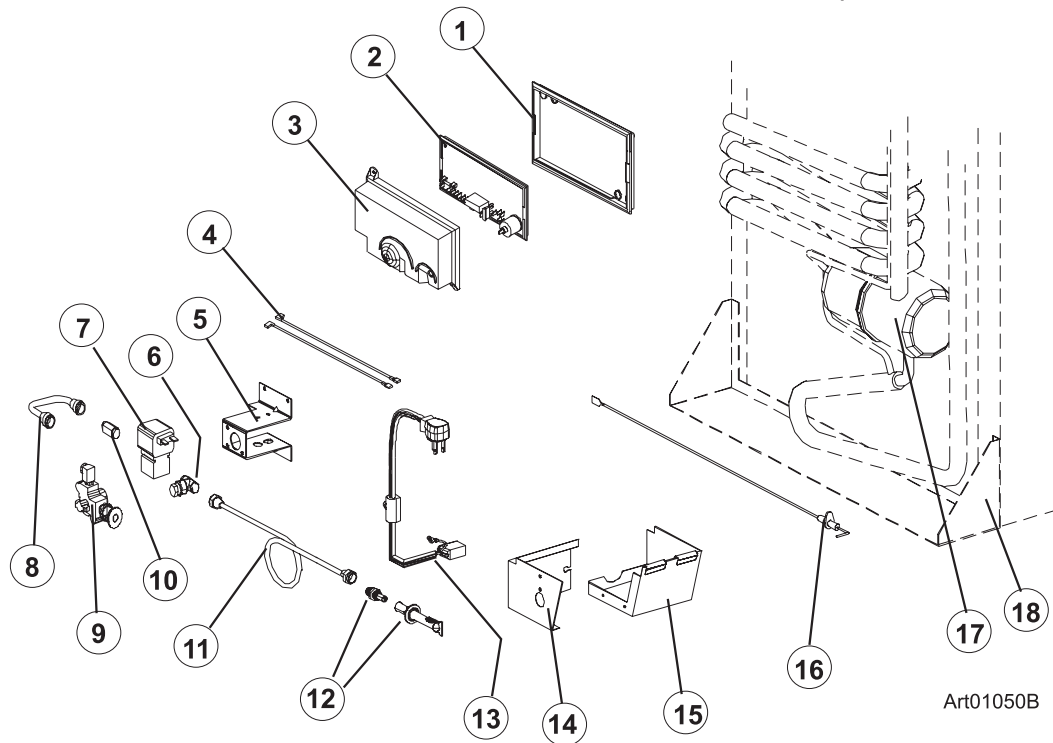
Art01318B

NO.	PART #	DESCRIPTION (SERIES)	N640 N641	N841	N842	N843
1	618186	BASE-POWER BOARD (SERIAL# - EG2=9044283 & BELOW)(EG3=8938727 & BELOW)	ALL	ALL	ALL	ALL
	628674	BASE-POWER BOARD/EG2 (SERIAL# - 9044284 & ABOVE)	N641	ALL	ALL	ALL
	628675	BASE-POWER BOARD/EG3 (SERIAL# - 8938728 & ABOVE EXCEPT N640.3)	N641	ALL		
2	621269001	KIT-POWER BOARD/EG2 (SERIAL# - 9044283 & BELOW)	N641	ALL	ALL	ALL
	621270001	KIT-POWER BOARD/EG3 (SERIAL# - 8938727 & BELOW EXCEPT N640.3)	N641	ALL		
	628661	POWER BOARD (SERIAL# - EG2=9044284 & ABOVE; EG3=8938728 & ABOVE EXCEPT N640.3)	N641	ALL	ALL	ALL
	628669	DC BOARD-EG3(SERIAL# 89387287 & ABOVE EXCEPT N640.3)(USE637764)	N641	ALL		
	637764	KIT SERVICE DC BOARD REPLACEMENT	N641	ALL		
3	618185	COVER-POWER SUPPLY (SERIAL# - EG2=9044283 & BELOW; EG3=8938727 & BELOW EXCEPT N640.3)	N641	ALL	ALL	ALL
	628677	COVER-POWER BOARD/EG2 (SERIAL# 9044284 & ABOVE)	N641	ALL	ALL	ALL
	628678	COVER-POWER BOARD/EG3 (SERIAL# 8938728 & ABOVE EXCEPT N640.3)	N641	ALL		
4	621448	WIRE-WHITE/9"/GAS VALVE (2 PER ASSEMBLY)	ALL	ALL	ALL	ALL
5	624681	BRACKET-MOUNTING/GAS VALVE (9185698 & BELOW)	ALL	ALL	ALL	ALL
	628993	BRACKET-MOUNTING/GAS VALVE (9185699 & ABOVE)	ALL	ALL	ALL	ALL
6	621334	KIT-GAS VALVE/BRACKET/WIRES (9185698 & BELOW)	ALL	ALL	ALL	ALL
	633726	GAS VALVE-COMBINATION (9185699 & ABOVE)	ALL	ALL	ALL	ALL
7	624682	BURNER TUBE-N8/N6 SERIES	ALL	ALL	ALL	ALL
8	621957	KIT-BURNER/ORIFICE ADAPTER ASSY - ORIFICE AND/OR BURNER	ALL	ALL	ALL	ALL
9	61554422	CORD-AC POWER/BLACK	ALL	ALL	ALL	ALL
	618406	CORD-AC POWER/IM	ALL	ALL	ALL	
NS	621755	CORD-POWER/ICE MAKER/WHITE (NOT SHOWN)				ALL
10	61712637	COVER ASSY-BURNER BOX	ALL	ALL	ALL	ALL
11	61695322	BASE-BURNER BOX	ALL	ALL	ALL	ALL
12	61692222	ELECTRODE-SPARK/SENSE/SINGLE ELECTRODE/0.25"	ALL	ALL	ALL	ALL
	632307	NSC SYSTEM PACK-COOLING UNIT (BACKER HEATER)	ALL			
13	632314	NSC SYSTEM PACK-COOLING UNIT (BACKER HEATER)		ALL	ALL	ALL
14	61586722	BRACE-CABINET/BACK	ALL	ALL	ALL	ALL

NOTE: IF THE CONTROL ASSY-OPTICAL HAS BEEN REPLACED WITH A KIT-CONTROL ADAPTOR, THE POWER BOARD MUST BE REPLACED WITH A NEW KIT-CONTROL ADAPTER.

CONTROLS (REAR VIEW) - MODEL SERIES N641/ N841

NOTE: FOR MODELS WITH A SEPARATE MANUAL SHUT OFF VALVE (SERIAL # 656979 & BELOW).

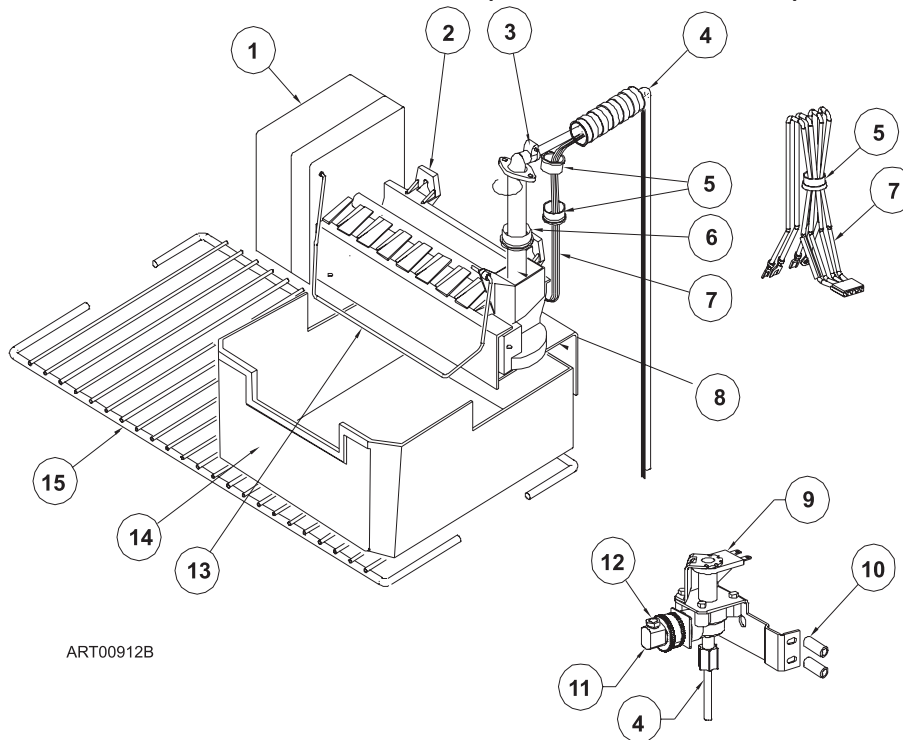


Art01050B

NO.	PART #	DESCRIPTION (SERIES)	N641	N841
1	618186	BASE-POWER BOARD	ALL	ALL
2	621269001	KIT-POWER BOARD -EG2	ALL	ALL
	621270001	KIT-POWER BOARD -EG3	ALL	ALL
3	618185	COVER-POWER SUPPLY	ALL	ALL
4	621448	WIRE-WHITE/9\"/>		

NOTE: IF THE CONTROL ASSY-OPTICAL HAS BEEN REPLACED WITH A KIT-CONTROL ADAPTER, THE POWER BOARD MUST BE REPLACED WITH A NEW KIT-CONTROL ADAPTER.

ICE MAKER AREA - MODEL SERIES N64/N84 (ICE MAKER MODELS)



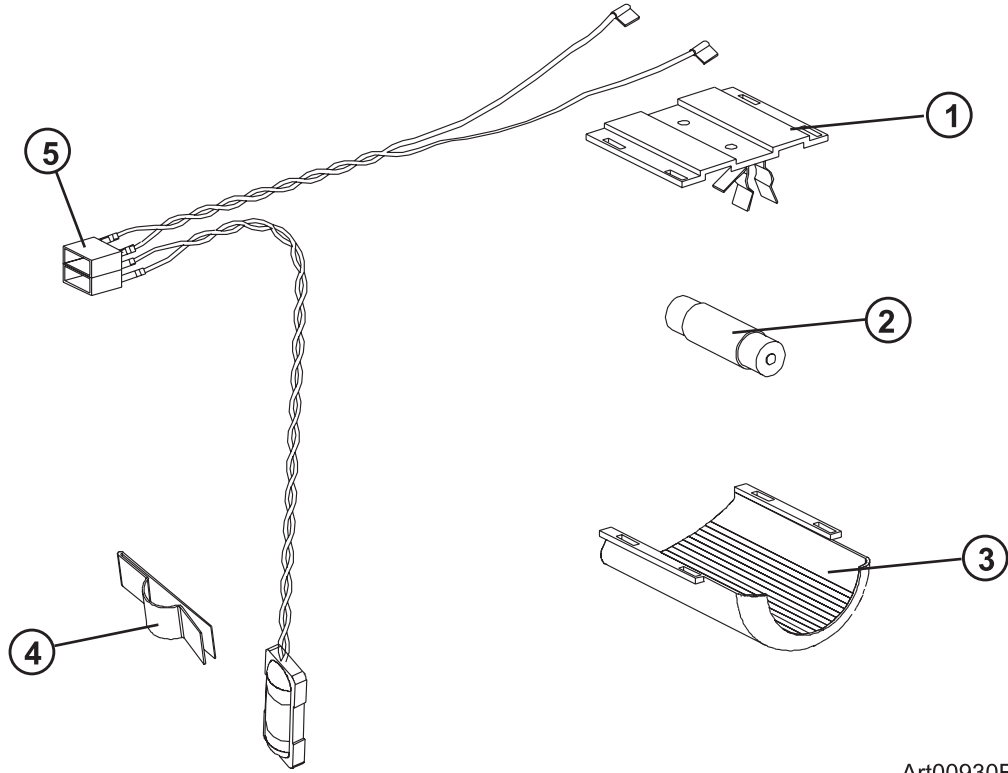
ART00912B

NO.	PART #	DESCRIPTION	(SERIES)	N641IM	N841IM	N842IM	N843IM
1	61656822	COVER-FRONT/ICE MAKER		N641IM	N841IM	N842IM	N843IM
2	633324	KIT-ICE MAKER		N641IM	N841IM	N842IM	N843IM
	637582	KIT SERVICE IM REPLACEMENT		N641IM	N841IM	N842IM	N843IM
3	61690822	CLAMP-TUBING/IM		N641IM	N841IM	N842IM	N843IM
4	617869	TUBE-WATER FEED/IM/68" (USE 621429)		N641IM	N841IM	N842IM	N843IM
5	61346822	BUSHING-SNAP		N641IM	N841IM	N842IM	N843IM
6	620659	FITTING-WATER TUBE		N641IM	N841IM	N842IM	N843IM
7	618407	WIRING HARNESS-IM		N641IM	N841IM	N842IM	N843IM
8	617831	BRACKET-MOUNTING/ICE MAKER (ENDING 09/26/99)		N641IM	N841IM		
	620889	BRACKET-MOUNTING/ICE MAKER (STARTING 09/27/99) (USE 639704)		N641IM	N841IM	N842IM	N843IM
	639704	Kit SERVICE IM MOUNTING BRACKET		N641IM	N841IM	N842IM	N843IM
9	633325	KIT-WATER VALVE/SINGLE PORT (USE 637140)		N641IM	N841IM	N842IM	N843IM
	637140	KIT SERVICE WATER VALVE REPLACEMENT (USE 637580)		N641IM	N841IM	N842IM	N843IM
	637580	KIT SERVICE WATER VALVE REPLACEMENT		N641IM	N841IM	N842IM	N843IM
10	618169	SPACER-WATER VALVE/NYLON		N641IM	N841IM	N842IM	N843IM
11	61679622	GARDEN HOSE ADAPTER-STRAIGHT/IM		N641IM	N841IM	N842IM	N843IM
12	622991	NUT-COMPRESSION/WATER VALVE FITTING/IM/PLASTIC		N641IM	N841IM	N842IM	N843IM
	622846	NUT-COMPRESSION/WATER VALVE FITTING/IM/BRASS		N641IM	N841IM	N842IM	N843IM
13	61656922	SHUT OFF ARM/IM		N641IM	N841IM	N842IM	N843IM
14	619007	BIN-ICE/CRISPER/CLEAR		N641IM	N841IM	N842IM	N843IM
15	632445	SHELF-WIRE/FREEZER/N84/N64 (620249 OLDER MODELS)		N641IM	N841IM	N842IM	N843IM
NS	621429	WATER TUBE/HEATER ASSY/FOR ICE MAKER		N641IM	N841IM	N842IM	N843IM
NS	623182	KIT-OEM WATER TUBE FITTINGS/IM		X	X	X	X

NS - NOT SHOWN

NO LONGER AVAILABLE

INTERIOR LIGHT AND THERMISTER ASSY - MODEL SERIES N64/N84



Art00930B

NO.	PART #	DESCRIPTION (SERIES)	N640 N641	N841	N842	N843
1	61629722	LAMP BRACKET ASSY(USE 638292)	ALL	ALL	ALL	ALL
	638292	KIT SERVICE LAMP BRACKET REPLACEMENT	ALL	ALL	ALL	ALL
2	632545	LAMP-DC LIGHT BULB	ALL	ALL	ALL	ALL
3	621827	COVER-LAMP BRACKET	ALL	ALL	ALL	ALL
4	633734	CLIP-THERMISTER MOUNTING/FIN (USE 638281)	ALL	ALL	ALL	ALL
	638281	KIT SERVICE FIN CLIP REPLACEMENT	ALL	ALL	ALL	ALL
5	618548	LAMP THERMISTER WIRE ASSY	ALL	ALL	ALL	ALL
		NO LONGER AVAILABLE				

FAN MODEL COMPONENTS - MODELS SERIES N64/N84

NOTE: LOWER FAN POSITION - MODELS WITH SERIAL # BELOW 9056492

PART #	DESCRIPTION	WITHOUT ICE MAKER	WITH ICE MAKER	HIGH VELOCITY WITHOUT ICE MAKER	HIGH VELOCITY WITH ICE MAKER
618857	BRACKET-DC FAN	1	1	1	1
619016	BRACKET-FAN SUPPORT	1	1	1	1
61417922	CABLE TIE-NYLON	3	4	3	4
618856	FAN-EXTERNAL DC	1	1		
623442	FAN-EXTERNAL DC/HIGH VELOCITY			1	1
618093	THERMOSTAT-DC FAN/THERMO DISC	1	1	1	1
618950	WIRE MOUNT-ADHESIVE	2	2	2	2
621943	WIRE-60" (FAN MODELS)	1	1	1	1
621431	WIRE-AUXILLARY/BLACK/POSITIVE (+)	1		1	
621430	WIRE-AUXILLARY/RED/NEGATIVE (-)	1		1	
618700	WIRE-BLACK/24"/18 GA	1	1	1	1
619017	WIRE-BLACK/6"/18 GA		1		1
618978	WIRE-FAN/RED/6"/18 GA/12V		1		1
618701	WIRE-RED/36"/18 GA	1	1	1	1

NOTE: LOWER FAN POSITION - MODELS WITH SERIAL # 9056492 TO 10087057

PART #	DESCRIPTION	WITHOUT ICE MAKER	WITH ICE MAKER	HIGH VELOCITY WITHOUT ICE MAKER	HIGH VELOCITY WITH ICE MAKER
618857	BRACKET-DC FAN	1	1	1	1
619016	BRACKET-FAN SUPPORT	1	1	1	1
61417922	CABLE TIE-NYLON	3	4	3	4
618856	FAN-EXTERNAL DC	1	1		
623442	FAN-EXTERNAL DC/HIGH VELOCITY			1	1
618093	THERMOSTAT-DC FAN/THERMO DISC	1	1	1	1
618950	WIRE MOUNT-ADHESIVE	2	2	2	2
621943	WIRE-60" (FAN MODELS)	1	1	1	1
628758	WIRE-AUXILLARY/OUTPUT/BLACK	1		1	
628759	WIRE-AUXILLARY/OUTPUT/RED	1		1	
619017	WIRE-BLACK/6"/18 GA		1		1
628999	WIRE-NEGATIVE/AUXILLARY TO Y CONNECTION	1	1	1	1
618978	WIRE-RED/6"/18 GA/12V		1		1
618701	WIRE-RED/36"/18 GA	1	1	1	1

NOTE: UPPER FAN POSITION - MODELS WITH SERIAL # ABOVE 10087057

PART #	DESCRIPTION	WITHOUT ICE MAKER	WITH ICE MAKER	HIGH VELOCITY WITHOUT ICE MAKER	HIGH VELOCITY WITH ICE MAKER
628747	BRACKET-DC FAN	1	1	1	1
61417922	CABLE TIE-NYLON	3	4	3	4
628685	FAN-EXTERNAL DC	1	1		
623442	FAN-EXTERNAL DC/HIGH VELOCITY			1	1
618093	THERMOSTAT-DC FAN/THERMO DISC	1	1	1	1
629883	WIRE ASSY	1	1	1	1
629882	WIRE ASSY	1	1	1	1
618950	WIRE MOUNT-ADHESIVE	2	2	2	2
621943	WIRE-60" (FAN MODELS)	1	1	1	1
628758	WIRE-AUXILLARY/OUTPUT/BLACK	1	1	1	1
628759	WIRE-AUXILLARY/OUTPUT/RED	1	1	1	1
619017	WIRE-BLACK/6"/18 GA		1		1
618978	WIRE-FAN/RED/6"/18 GA/12V		1		1