



PARTS LIST

N61/N81 SERIES

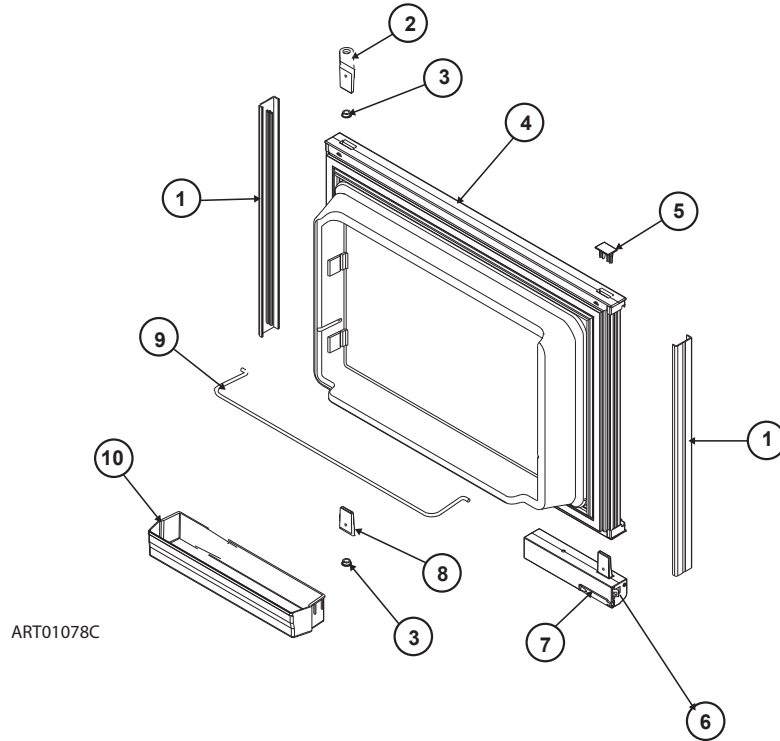
N61 SERIES

N610
N611
N611C
N611F
N611J
N611v
N615
N611VF

N81 SERIES

N810
N811
N811C
N811J
N811F
N811v
N814F2
N811VF

UPPER DOOR (FREEZER) - N61/N81 SERIES

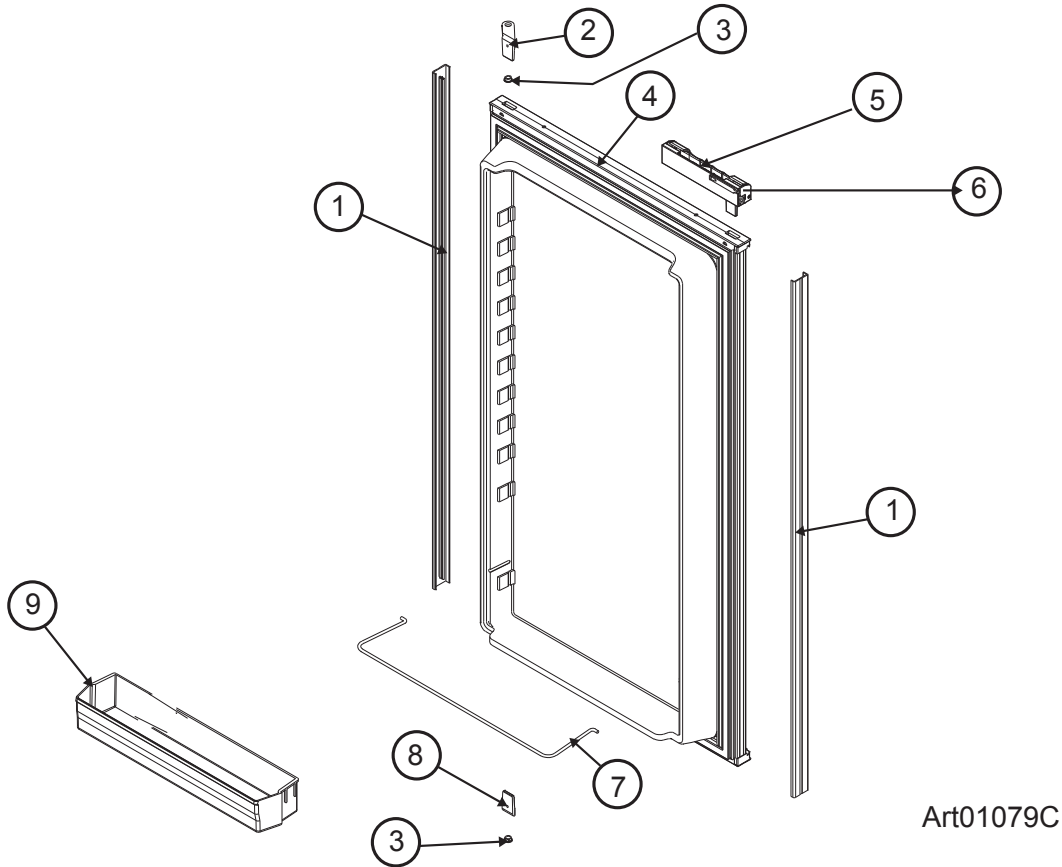


ART01078C

NO.	PART #	PART DESCRIPTION	SERIES					
			N610	N611	N611v	N810	N811*	N811v
1	619558	PANEL RETAINER-UPPER DOOR/BLACK/WDL (2 PER DOOR)		WDL			WDL	
	622906	PANEL RETAINER-UPPER DOOR/BROWN/WDL (2 PER DOOR)	WDL			WDL		
	623943	PANEL RETAINER-UPPER DOOR/PANEL/BLACK/SDL (2 PER DOOR)		SDL	SDL		SDL	SDL
	624797	PANEL RETAINER-UPPER DOOR/PANEL/BROWN/SDL (2 PER DOOR)	SDL			SDL		
2	618511	HINGE-DOOR SIDE/TOP RH/BTM LH/BLACK/WDL		WDL			WDL	
	622924	HINGE-DOOR SIDE/TOP RH/BTM LH/BROWN/WDL	WDL			WDL		
3	619671	HINGE BUSHING-DOOR/WARM GRAY/WDL	WDL	WDL		WDL	WDL	
4	619627	DOOR ASSY-UPPER/PANEL/BLACK FRAME/WDL		WDL			WDL	
	622897	DOOR ASSY-UPPER/PANEL/BROWN FRAME/WDL	WDL			WDL		
	623945	DOOR ASSY-UPPER/PANEL/BLACK FRAME/SDL (USE 638837)		SDL	SDL		SDL	SDL
	638837	KIT SERVICE DOOR ASSY REPLACEMENT		SDL	SDL			
	638838	KIT SERVICE DOOR ASSY REPLACEMENT				SDL	SDL	SDL
	624813	DOOR ASSY-UPPER/PANEL/BROWN FRAME/SDL (USE 638839)	SDL			SDL		
	638839	KIT SERVICE DOOR ASSY REPLACEMENT (USE 638837)	SDL	SDL	SDL			
	638640	KIT SERVICE DOOR ASSY REPLACEMENT				SDL	SDL	SDL
5	618160	CAP-HINGE PLUG/BLACK		ALL	ALL		ALL	ALL
	622989	CAP-HINGE PLUG/BROWN	ALL			ALL		
6	621469	DOOR HANDLE ASSY-UPPER DOOR/RH SWING/PLASTIC/BLACK		ALL	ALL		ALL	ALL
	622916	DOOR HANDLE ASSY-UPPER DOOR/RH SWING/PLASTIC/BROWN	ALL			ALL		
7	622313	LATCH-STORAGE/DOOR/PLASTIC HANDLE/WARM GRAY	ALL	ALL	ALL	ALL	ALL	ALL
8	618510	HINGE-DOOR SIDE/TOP LH/BTM RH/BLACK/WDL		WDL			WDL	
	622923	HINGE-DOOR SIDE/TOP LH/BTM RH/BROWN/WDL	WDL			WDL		
9	618618	RAIL-UPPER DOOR/WDL (1 PER DOOR)	WDL	WDL		WDL	WDL	
10	624863	BIN-DOOR SHELF/WHITE/SDL (1 PER DOOR)	SDL	SDL	SDL	SDL	SDL	SDL
NS	619569	BOLT-CAP SHOULDER/TORX HEAD	ALL	ALL	ALL	ALL	ALL	ALL

NS = NOT SHOWN * NOTE: N811 SERIES INCLUDES N814F2 AND N615 MODELS

LOWER DOOR (FRESH FOOD) - N61/N81 SERIES



Art01079C

LOWER DOOR (FRESH FOOD) - N61/N81 SERIES

NO.	PART #	PART DESCRIPTION	SERIES					
			N610	N611*	N611v	N810	N811**	N811v
1	619559	PANEL RETAINER-LOWER DOOR/6'/BLACK/WDL		WDL			WDL	
	622907	PANEL RETAINER-LOWER DOOR/6'/BROWN/WDL	WDL			WDL		
	623948	PANEL RETAINER-LOWER DOOR/6'/BLACK/SDL		SDL	SDL		SDL	SDL
	624799	PANEL RETAINER-LOWER DOOR/6'/BROWN/SDL	SDL			SDL		
	619560	PANEL RETAINER-LOWER DOOR/8'/BLACK/WDL		WDL			WDL	
	622908	PANEL RETAINER-LOWER DOOR/8'/BROWN/WDL	WDL			WDL		
	623760	PANEL RETAINER-LOWER DOOR/8'/BLACK/SDL		SDL	SDL		SDL	SDL
	624798	PANEL RETAINER-LOWER DOOR/8'/BROWN/SDL	SDL			SDL		
2	618511	HINGE-DOOR SIDE/TOP RH/BTM LH/BLACK/WDL		WDL			WDL	
	622924	HINGE-DOOR SIDE/TOP RH/BTM LH/BROWN/WDL	WDL			WDL		
3	619671	HINGE BUSHING-DOOR/WARM GRAY/WDL	WDL	WDL		WDL	WDL	
4	619629	DOOR ASSY-LOWER/6'/PANEL/BLACK FRAME/WDL		WDL			WDL	
	622898	DOOR ASSY-LOWER/6'/PANEL/BROWN FRAME/WDL	WDL			WDL		
	623955	DOOR ASSY-LOWER/6'/PANEL/BLACK FRAME/SDL (USE 638835)		SDL	SDL		SDL	SDL
	638835	KIT SERVICE DOOR ASSY REPLACEMENT		SDL	SDL			
	624812	DOOR ASSY-LOWER/6'/PANEL/BROWN FRAME/SDL(USE 638836)	SDL			SDL		
	638836	KIT SERVICE DOOR ASSY REPLACEMENT (USE 638835)	SDL					
	619631	DOOR ASSY-LOWER/8'/PANEL/BLACK FRAME/WDL		WDL			WDL	
	624208	DOOR ASSY-LOWER/8'/PANEL/BROWN FRAME/WDL	WDL			WDL		
	623942	DOOR ASSY-LOWER/8'/PANEL/BLACK FRAME/SDL(USE 638833)		SDL	SDL		SDL	SDL
	638833	KIT SERVICE DOOR ASSY REPLACEMENT					SDL	SDL
	624814	DOOR ASSY-LOWER/8'/PANEL/BROWN FRAME/SDL (USE 638834)	SDL			SDL		
	638834	KIT SERVICE DOOR ASSY REPLACEMENT (USE 638833)				SDL		
5	621465	DOOR HANDLE ASSY-LOWER DOOR/RH SWING/PLASTIC/BLACK		ALL	ALL		ALL	ALL
	622915	DOOR HANDLE ASSY-LOWER DOOR/RH SWING/PLASTIC/BROWN	ALL			ALL		
6	622313	LATCH-STORAGE/GRAY	ALL	ALL	ALL	ALL	ALL	ALL
7	618578	RAIL-LOWER DOOR/WDL	WDL	WDL		WDL	WDL	
	632458	WIRE-BIN/SDL (USE 624866)	SDL	SDL	SDL	SDL	SDL	SDL
	632458	WIRE-BIN	SDL	SDL	SDL	SDL	SDL	SDL
8	618510	HINGE-DOOR SIDE/TOP LH/BTM RH/BLACK/WDL		WDL			WDL	
	622923	HINGE-DOOR SIDE/TOP LH/BTM RH/BROWN/WDL	WDL			WDL		
9	618619	BIN-DOOR SHELF/SMALL/WHITE/WDL (2 FOR N611/3 FOR N811)	WDL	WDL		WDL	WDL	
	624863	BIN-DOOR SHELF/WHITE/SDL (3 FOR N611/4 FOR N811)	SDL	SDL	SDL	SDL	SDL	SDL
NS	619569	BOLT-CAP SHOULDER/TORX HEAD	ALL	ALL	ALL	ALL	ALL	ALL

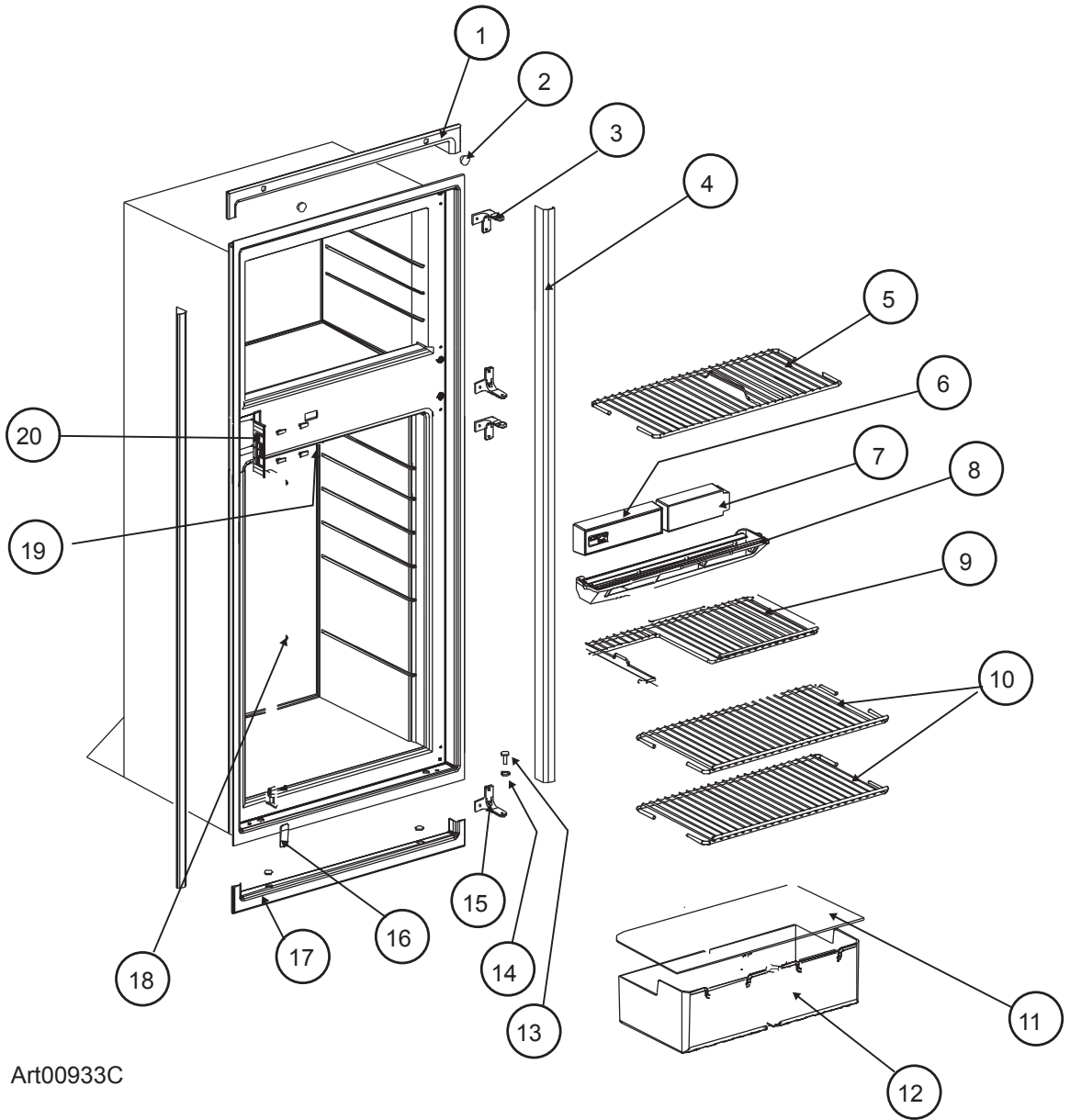
PART IS NO LONGER AVAILABLE

NS = NOT SHOWN

* NOTE: N611 SERIES INCLUDES N611 MODELS

** NOTE: N811 SERIES INCLUDES N814F2 AND N811 MODELS

CABINET AREA (FRONT VIEW) - N61/N81 SERIES



CABINET AREA (FRONT VIEW) - N61/N81 SERIES

NO.	PART #	PART DESCRIPTION	SERIES					
			N610	N611*	N611v	N810	N811**	N811v
1	622319	TRIM PIECE ASSY-TOP/WITH INSERTS/BLACK (USE 622325)		X	X		X	X
	622931	TRIM PIECE ASSY-TOP/WITH INSERTS/BROWN (USE 622926)	X			X	X	
2	618170	HOLE PLUG-FOR TOP TRIM PIECE/BLACK (2 PER CABINET)		X	X		X	X
	622930	HOLE PLUG-FOR TOP TRIM PIECE/BROWN (2 PER CABINET)	X			X	X	
3	619335	HINGE-CABINET/3 POINT/TOP RH/BTM LH/BLACK/WDL (USE 624758)		WDL			WDL	
	624785	HINGE-CABINET/ 10-32 UR/LL /BLACK(2 PER CABINET)		X			X	
	622885	HINGE-CABINET/3 POINT/TOP RH/BTM LH//BROWN/WDL (2 PER CABINET)	WDL			WDL		
	623771	HINGE-CABINET/3 POINT/TOP RH/BTM LH/PANEL/BLACK/SDL		SDL	SDL		SDL	SDL
	624787	HINGE-CABINET/3 POINT/TOP RH/BTM LH/BROWN/SDL	SDL			SDL		
4	622295	TRIM PIECE FOAM TAPE ASSY-SIDE/6"/BLACK (2 PER CABINET)		X	X			
	623516	TRIM PIECE FOAM TAPE ASSY-SIDE/6"/BROWN (2 PER CABINET)	X			X		
	622296	TRIM PIECE FOAM TAPE ASSY-SIDE/8"/BLACK (2 PER CABINET)					X	X
	TBA	TRIM PIECE FOAM TAPE ASSY-SIDE/8"/BROWN (2 PER CABINET)	X			X		
5	620250	SHELF-WIRE/FREEZER (USE 632446)	X	X	X	X	X	X
	632446	SHELF-WIRE/FREEZER (USE AFTER SN 27631610 FOR N611)	X	X		X	X	
6	621988	CONTROL ASSY-OPTICAL/BLACK (SERIAL # 9056491 & BELOW) (USE 637774)		X			X	
	637774	KITSERVICE OPTICAL CONTROL REPLACEMENT		X			X	
	624207	CNTRL ASSY-OPTICAL/BRN (S/N 9056491 & BELOW) (USE 621988)	X			X		
	628979	CONTROL ASSY-OPTICAL/BLACK (SERIAL # 9056492 & ABOVE) (USE 637775)		X			X	
	637775	KIT SERVICE OPTICAL CONTROL REPLACEMENT		X			X	
	636105	CONTROL ASSY-OPTICAL/BLACK(SN 17781054 & ABOVE, AFTER JULY 2011) (USE 637776)			X			X
	637776	KIT SERVICE OPTICAL CONTROL REPLACEMENT			X			X
	629079	CONTROL ASSY-OPTICAL/BROWN (SERIAL # 9056492 & ABOVE) (USE 637777)	X			X		
7	622002	FRONT BOX-BLACK		X	X		X	X
	623428	FRONT BOX-BROWN	X			X		
8	623250	DRIP TRAY-INSIDE (ONE PIECE DRIP TRAY & LOUVER)	X	X	X	X	X	X
9	620272	SHELF-WIRE/CUT OUT (USE 632450)	X	X	X	X	X	X
	632450	SHELF-WIRE/CUT OUT	X	X	X	X	X	X
10	620273	SHELF-WIRE/FULL (USE 632451)	2	2	1	3	3	2
	632451	SHELF-WIRE/FULL (USE 638481)	2	2	1	3	3	2
	638481	SHELF WIRE FULL (USE AFTER SN 27631610 FOR N611)	2	2	1	3	3	2
NS	632446	SHELF-WIRE FULL (USE 638480)			X			X
	638480	Shelf Wie			X			X

CABINET AREA (FRONT VIEW) - N61/N81 SERIES

11	618158	CRISPER COVER-GLASS SHELF	X	X	X	X	X	X
12	618571	CRISPER-WHITE/FULL	X	X	X	X	X	X
13	618145	HINGE PIN-UPPER HINGE/BLACK		WDL			WDL	
	622925	HINGE PIN-UPPER HINGE/BROWN	WDL			WDL		
	623899	HINGE PIN-UPPER/BLACK/SDL (USE 638780)		SDL	SDL		SDL	SDL
	638780	KIT SERVICE UPPER HINGE PIN REPLACEMENT		SDL	SDL		SDL	SDL
	61114600	HINGE PIN-TOP/WDL (USE 638630)	WDL			WDL		
	638630	KIT SERVICE UPPER HINGE PIN REPLACEMENT	WDL			WDL		
	61550722	HINGE PIN-BOTTOM/SDL (USE 638636)	SDL	SDL	SDL	SDL	SDL	SDL
	638636	KIT SERVICE LWR HINGE PIN REPLACEMENT	SDL	SDL	SDL	SDL	SDL	SDL
14	619671	HINGE BUSHING-DOOR/WARM GRAY (4 PER REFRIGERATOR)	WDL	WDL		WDL	WDL	
15	619336	HINGE-CABINET/3 POINT/TOP LH/BTM RH/BLACK/WDL (2 PER CABINET)		WDL			WDL	
	622886	HINGE-CABINET/3 POINT/TOP LH/BTM RH/BROWN/WDL (2 PER CABINET)	WDL			WDL		
	623772	HINGE-CABINET/3 POINT/TOP LH/BTM RH/BLACK/SDL		X	X		X	X
	624789	HINGE-CABINET/3 POINT/TOP LH/BTM RH/PANEL/BLK/SDL	X			X		
16	619301	COVER-HINGE HOLE/WHITE/3 POINT (2 PER CABINET)	X	X	X	X	X	X
17	622323	TRIM PIECE FOAM TAPE ASSY-BOTTOM/BLACK		X	X		X	X
	622927	TRIM PIECE FOAM TAPE ASSY-BOTTOM/BROWN (USE 622926)	X			X		
18	61536522	CLAMP-NYLON 1/2" (SHELF CLIP) (2 FOR THE N61)(3 FOR THE N811)	X	X	X	X	X	X
19	620282	HOLE PLUG-DIVIDER/WHITE (2 PER CABINET)	X	X	X	X	X	X
20	618167	STRIKE PLATE-BLACK		X	X		X	X
	619673	STRIKE PLATE-WARM GRAY	X			X		
NS	622325	KIT-INSTALLATION/BLACK (TRIM PIECES/SCREWS/PLUGS)	N611	N611F	N611v	N811	N811F	N811v
NS	622926	KIT-INSTALLATION/BROWN (TRIM PIECES/SCREWS/PLUGS)	N610	N610F		N810	N810F	

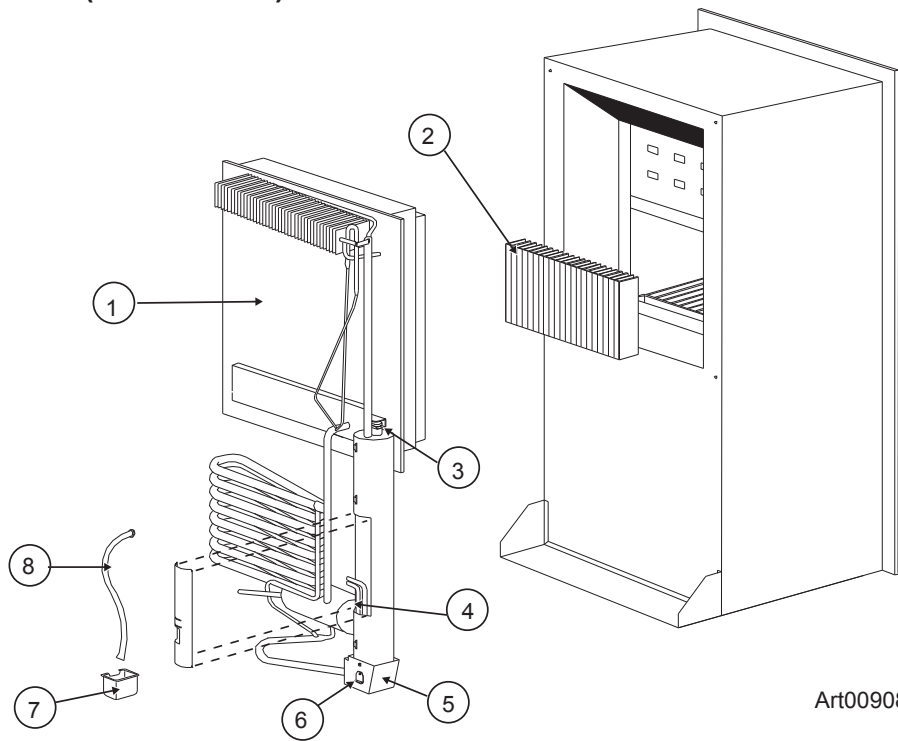
PART IS NO LONGER AVAILABLE

NS = NOT SHOWN

* NOTE: N611 SERIES INCLUDES N611 MODELS

** NOTE: N811 SERIES INCLUDES N814F2 AND N811 MODELS

CABINET AREA (REAR VIEW) - N61/N81 SERIES



Art00908C

NO.	PART #	PART DESCRIPTION	SERIES					
			N610	N611*	N611v	N810	N811**	N811v
1	632307	NSC SYSTEM PACK-COOLING UNIT (BACKER HEATER)	X	X	X			
	632314	NSC SYSTEM PACK-COOLING UNIT (BACKER HEATER)				X	X	X
NS	2M0802	THERMAL SWITCH/BACKET ASSY (SEE NOTE)	X	X	X	X	X	X
NS	618111	BAFFLE DIFFUSER/WIRE ASSY-COOLING UNIT (NOT SHOWN)	X	X	X	X	X	X
2	61686823	FINS (USE 637609)	X	X	X	X	X	X
	637609	STAKED FIN (USE AFTER SN 27631610)	X	X	X	X	X	X
3	61695022	CAP-HEAT DEFLECTOR	X	X	X	X	X	X
4	621702	HEATER-AC (COOLING UNIT SERIAL# 11231023 & BELOW) (USE 638365)	X	X				
		HEATER-AC (COOLING UNIT SERIAL# 11232007 & BELOW) (USE 638365)				X	X	
	638365	KIT SERVICE HEATER REPLACEMENT	X	X		X	X	
	630811	HEATER-AC/BACKER (CU SERIAL# 11231024 & ABOVE)(USE 638374)	X	X	X			
		HEATER-AC/BACKER (CU SERIAL# 11232008 & ABOVE)(USE 638374)				X	X	X
638374	KIT SERVICE HEATER REPLACEMENT	X	X	X	X	X	X	
5	61695322	BASE-BURNER BOX	X	X	X	X	X	X
6	61712637	COVER ASSY-BURNER BOX	X	X	X	X	X	X
7	622546	DRIP CUP-REAR/PLASTIC	X	X	X	X	X	X
8	622390	DRAIN HOSE ASSY-N6 SERIES(USE 639100)	X	X	X			
	639100	KIT SERV DRAIN HOSE REPLACEMENT	X	X	X			
	622391	DRAIN HOSE ASSY-N8 SERIES (USE 639101)				X	X	X
	639101	KIT SERV DRAIN HOSE REPLACEMENT				X	X	X

NOTE: FOR COOLING UNITS WITH A THERMAL SWITCH.

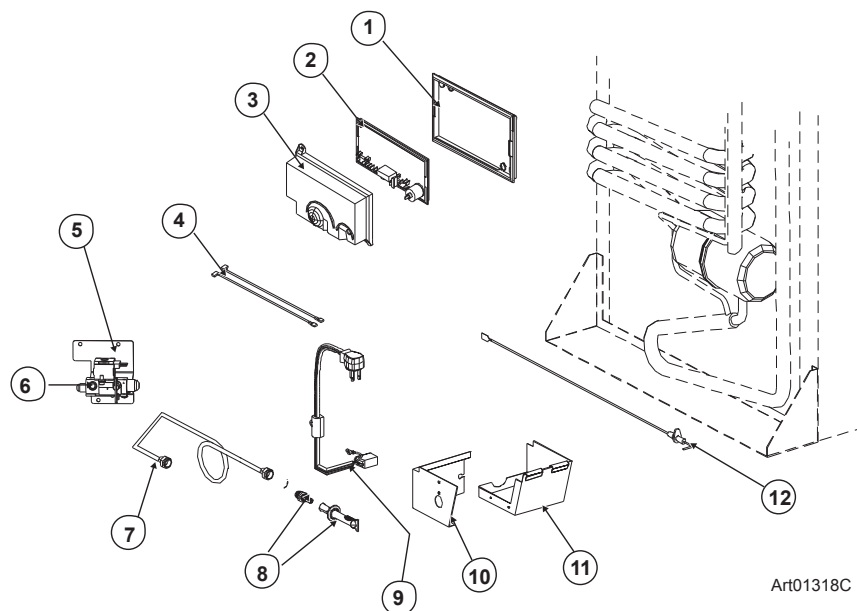
NS = NOT SHOWN

* NOTE: N611 SERIES INCLUDES N611 MODELS

** NOTE: N811 SERIES INCLUDES N814F2 AND N811 MODELS

NO LONGER AVAILABLE

CONTROLS (REAR VIEW) - N61/N81 SERIES



Art01318C

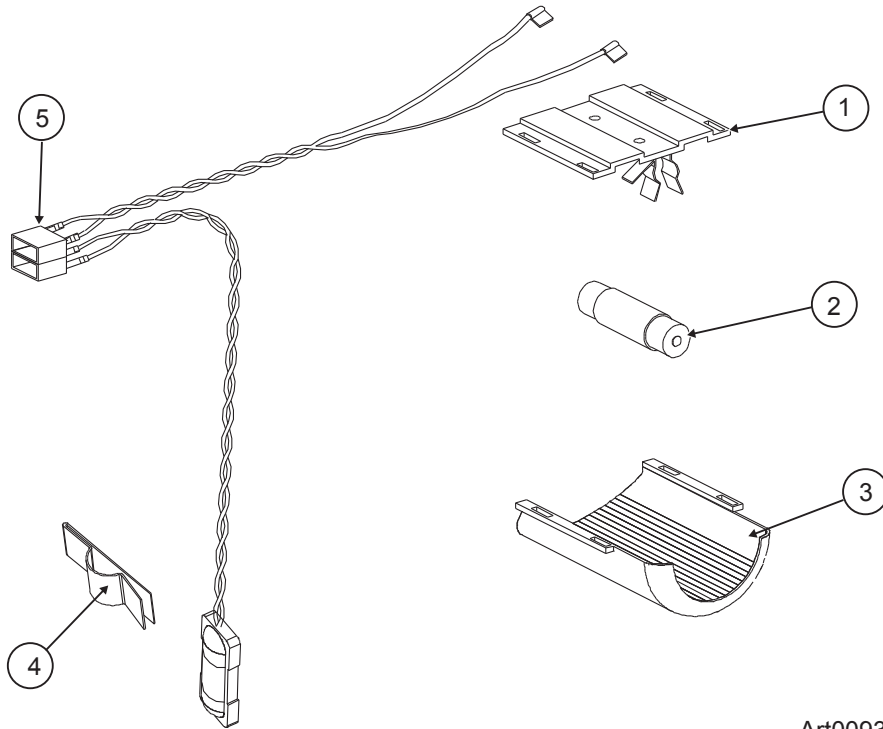
NO.	PART #	PART DESCRIPTION	SERIES					
			N610	N611*	N611v	N810	N811**	N811v
1	618186	BASE-POWER BOARD (SERIAL # 9056491 & BELOW)	X	X		X	X	
	628674	BASE-POWER BOARD (SERIAL # 9056492 & ABOVE)	X	X	X	X	X	X
2	621991001	KIT-POWER BOARD (SERIAL # 9056491 & BELOW)	X	X		X	X	
	628661	POWER BOARD (SERIAL # 9056492 & ABOVE)	X	X	X	X	X	X
3	618185	COVER-POWER SUPPLY (SERIAL # 9056491 & BELOW)	X	X		X	X	
	628677	COVER-POWER BOARD (SERIAL # 9056492 & ABOVE)	X	X	X	X	X	X
4	621448	WIRE-WHITE/9"/GAS VALVE	X	X	X	X	X	X
5	624681	BRACKET-GAS VALVE (9185698 & BELOW)	X	X		X	X	
	628993	BRACKET-GAS VALVE (9185699 & ABOVE)	X	X	X	X	X	X
6	621334	KIT-GAS VALVE/BRACKET/WIRES (9185698 & BELOW)(USE 640182)	X	X		X	X	
	640182	KIT SERV GAS VALVE BRACKET/WIRES	X	X		X	X	
	633726	GAS VALVE (9185699 & ABOVE)(USE 637540)	X	X	X	X	X	X
	637540	KIT SERVICE GAS VALVE REPLACEMENT	X	X	X	X	X	X
7	624682	BURNER TUBE (USE 638981)	X	X	X	X	X	X
	638981	KIT SERV GAS BURNER TUBE REPLACEMENT	X	X	X	X	X	X
8	621957	KIT-BURNER/ORIFICE ADAPTER ASSY	X	X	X	X	X	X
9	61554422	CORD-AC POWER/BLACK	X	X	X	X	X	X
10	61712637	COVER ASSY-BURNER BOX	X	X	X	X	X	X
11	61695322	BASE-BURNER BOX	X	X	X	X	X	X
12	61692222	ELECTRODE-SPARK/SENSE/SINGLE ELECTRODE/0.25" (USE 638097)	X	X	X	X	X	X
	638097	KIT SERVICE SPARK SENSE ELECTRODE REPLACEMENT	X	X	X	X	X	X

NS = NOT SHOWN

* NOTE: N611 SERIES INCLUDES N611 MODELS

** NOTE: N811 SERIES INCLUDES N814F2 AND N811 MODELS

INTERIOR LIGHT AND THERMISTER ASSY - N61/N81 SERIES



Art00930C

NO.	PART #	PART DESCRIPTION	SERIES					
			N610	N611*	N611v	N810	N811**	N811v
1	61629722	LAMP BRACKET ASSY (USE 638292)	X	X	X	X	X	X
	638292	KIT-SERVICE LAMP BRACKET REPLACEMENT	X	X	X	X	X	X
2	632545	LAMP-DC LIGHT BULB	X	X	X	X	X	X
3	621827	COVER-LAMP BRACKET	X	X	X	X	X	X
4	633734	CLIP-THERMISTER MOUNTING/FIN (USE 638281)	X	X	X	X	X	X
	638281	KIT SERVICE FIN CLIP REPLACEMENT	X	X	X	X	X	X
5	618548	LAMP THERMISTER WIRE ASSY (USE 638285)	X	X	X	X	X	X
	638285	KIT SERVICE LAMP/THERMISTER ASSY	X	X	X	X	X	X

NS = NOT SHOWN

* NOTE: N611 SERIES INCLUDES N611 MODELS

** NOTE: N811 SERIES INCLUDES N814F2 AND N811 MODELS



NO LONGER AVAILABLE

FAN ASSEMBLY PARTS - N61/N81 SERIES

NOTE: LOWER FAN POSITION - MODELS WITH SERIAL # BELOW 9056492

PART #	DESCRIPTION	N611F* N811F**	N811J
618857	BRACKET-DC FAN	1	1
619016	BRACKET-FAN SUPPORT	1	1
61417922	CABLE TIE-NYLON	3	3
618856	FAN-EXTERNAL DC	1	
623442	FAN-EXTERNAL DC/HIGH VELOCITY		1
618093	THERMOSTAT-DC FAN/THERMO DISC (USE 638278)	1	1
638278	KIT SERVICE FAN THERMOSTAT REPLACEMENT	1	1
618950	WIRE MOUNT-ADHESIVE	2	2
621943	WIRE-60" (FAN MODELS)	1	1
621431	WIRE-AUXILLARY/BLACK/POSITIVE (+)	1	1
621430	WIRE-AUXILLARY/RED/NEGATIVE (-)	1	1
618700	WIRE-BLACK/24"/18 GA	1	1
618701	WIRE-RED/36"/18 GA	1	1

NOTE: LOWER FAN POSITION - MODELS WITH SERIAL # 9056492 TO 10086691

PART #	DESCRIPTION	N611F* N811F**	N811J	N814F2
618857	BRACKET-DC FAN	1	1	2
619016	BRACKET-FAN SUPPORT	1	1	2
61417922	CABLE TIE-NYLON	3	3	3
618856	FAN-EXTERNAL DC	1		2
623442	FAN-EXTERNAL DC/HIGH VELOCITY		1	
618093	THERMOSTAT-DC FAN/THERMO DISC (USE 638278)	1	1	1
638278	KIT SERVICE FAN THERMOSTAT REPLACEMENT	1	1	1
618950	WIRE MOUNT-ADHESIVE	2	2	2
621943	WIRE-60" (FAN MODELS)	1	1	1
628758	WIRE-AUXILLARY/OUTPUT/BLACK	1	1	1
628759	WIRE-AUXILLARY/OUTPUT/RED	1	1	1
628999	WIRE-NEGATIVE/AUXILLARY TO Y CONNECTION	1	1	1
618701	WIRE-RED/36"/18 GA	1	1	1
618978	WIRE-FAN/RED/6"/18 GA/12V			1
619017	WIRE-BLACK/6"/18 GA			1

FAN ASSEMBLY PARTS - N61/N81 SERIES

NOTE: UPPER FAN POSITION - MODELS WITH SERIAL # ABOVE 10086691

PART #	DESCRIPTION	N611F* N811F**	N811J	N814F2	N611VF/ N811VF
628747	BRACKET-DC FAN	1	1	2	1
61417922	CABLE TIE-NYLON	4	4	4	4
628685	FAN-EXTERNAL DC	1		2	2
623442	FAN-EXTERNAL DC/HIGH VELOCITY		1		
618093	THERMOSTAT-DC FAN/THERMO DISC (USE 638278)	1	1	1	1
638278	KIT SERVICE FAN THERMOSTAT REPLACEMENT	1	1	1	1
618950	WIRE MOUNT-ADHESIVE	3	3	3	3
621943	WIRE-60" (FAN MODELS)	1	1	1	1
628758	WIRE-AUXILLARY/OUTPUT/BLACK	1	1	1	1
628759	WIRE-AUXILLARY/OUTPUT/RED	1	1	1	1
629883	WIRE ASSY	1	1	1	1
629882	WIRE ASSY	1	1	1	1
628690	WIRE-FAN/BLACK			1	1
629025	WIRE-INPUT/NEGATIVE /NEGATIVE AUXILLARY TO THERMOSTAT			1	1
618978	WIRE-FAN/RED/6"/18 GA/12V			1	1
636441	FAN= EXTERNAL DC				1

* NOTE: N611 SERIES INCLUDES N611 MODELS

** NOTE: N811 SERIES INCLUDES N814F2 AND N811 MODELS

NO LONGER AVAILABLE