



PARTS LIST

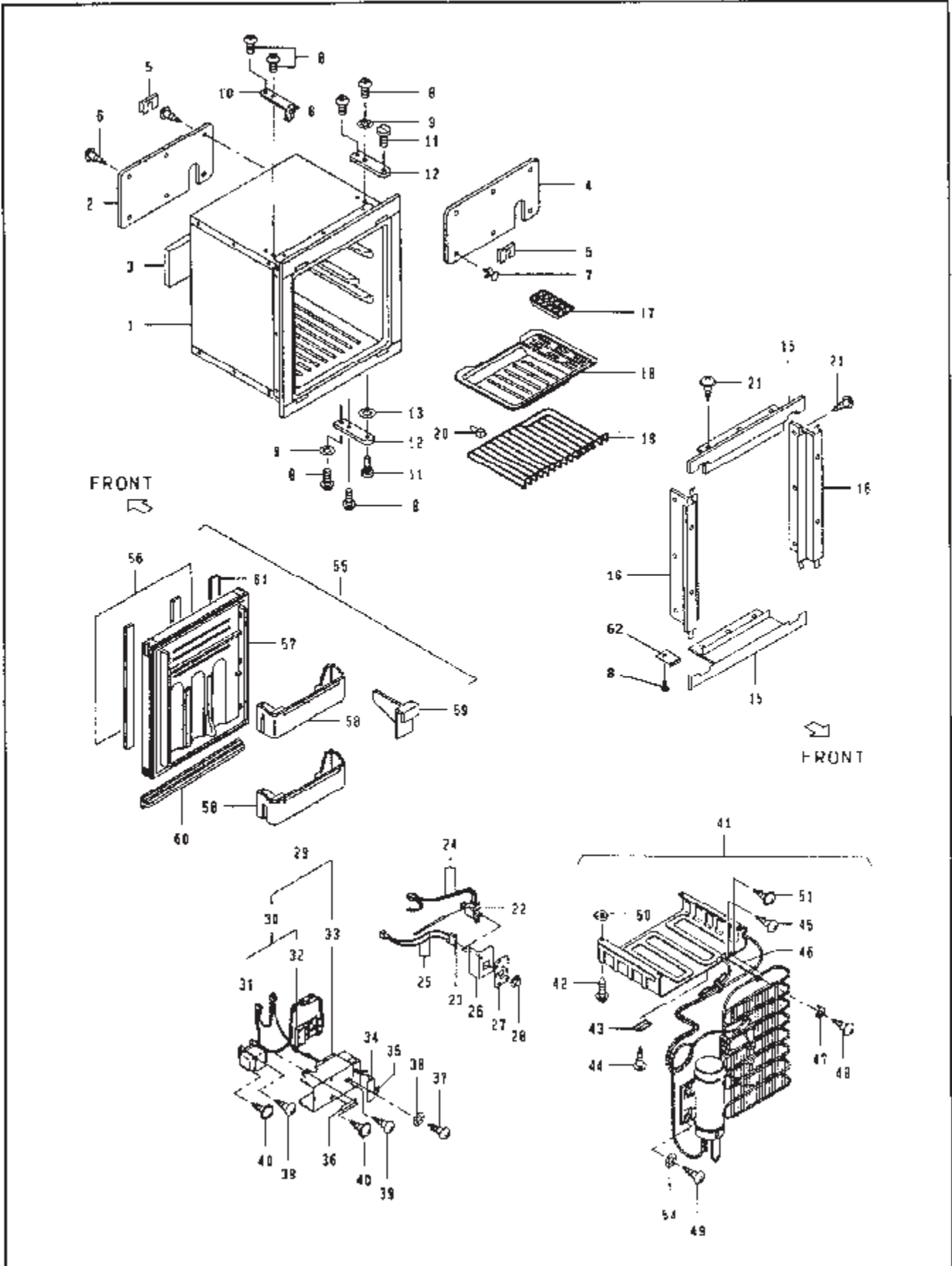
DC351 SERIES

DC351D

DC351F

PART # 619719
NORCOLD 4/4/2013

Final Assembly - DC-351D



REFRIGERATOR ASSEMBLY - DC351 SERIES

NO.	PART #	DESCRIPTION	DC351D	DC351F
2	161212400	BLIND PLATE	X	X
3	439010400	HEAT INSULATOR	X	X
4	430307100	PLATE-"I" (1 PER REFRIGERATOR)	X	X
5	416004200	BUSHING-FOR BLIND PLATE	X	X
6	80830441210	SCREW-TRUSS TAPPING/M4x12	X	X
7	645100510	FASTENER-PLASTIC RIVET	X	X
8	8050050104	SCREW	X	X
9	83400500010	WASHER-TEETH LOCK	X	X
10	160924300	HOLDER ASSY-TRAVEL LATCH	X	X
11	505502330	HINGE PIN-0.625"	X	X
12	304111000	PLATE-HINGE (USE 304111020)	X	X
13	8300087001	WASHER	X	X
15	323008600	CABINET FRAME-BLACK/SIDES (USE 160925800)	X	
16	323008500	CABINET FRAME-BLACK/TOP/BOTTOM (USE 160925800)	X	
NS	160925800	CABINET FRAME ASSY-FOUR SIDES	X	X
17	160203000	ICE CUBE TRAY	X	X
18	433001401	DRAINAGE PAN	X	X
19	523003210	SHELF	X	X
20	645109400	HOLDER-SHELF/REAR	X	X
21	80830441210	SCREW-TRUSS TAPPING/M4x12	X	X
22	603200921	THERMOSTAT (USE 603200910)	X	X
	603200910	THERMOSTAT	X	X
23	603604000	CIRCUIT BREAKER	X	X
24	191214910	CORD ASSY (AT THERMOSTAT)	X	X
25	191212940	CORD ASSY (AT CIRCUIT BREAKER)	X	X
26	422501700	COVER-THERMOSTAT	X	X
27	545020730	MARK-THERMOSTAT HOLDER	X	X
28	160203200	KNOB-THERMOSTAT/BLACK	X	X
29	160102990	POWER SUPPLY (USE 16011395008)	X	
	160104370	POWER SUPPLY (USE 16011395008)		X
30	163007430	OSCILLATOR & TRANSFORMER (USE 16000395008)	X	X
31	196008720	TRANSFORMER ASSY (USE 16011395008)	X	X
32	163008500	OSCILLATOR ONLY	X	X
33	163204100	CASE ASSY	X	X
34	322119100	COVER-DC WIRES	X	X
35	546017100	CAUTION PLATE (ON DC COVER)	X	X
36	546028011	CAUTION PLATE (ON POWER SUPPLY)	X	X
37	80840430810	SCREW-TRUSS TAPPING/M4x8	X	X
38	83400400010	WASHER-TEETH LOCK	X	X

(CONTINUED ON PAGE 4)

REFRIGERATOR ASSEMBLY - DC351 SERIES

(CONTINUED FROM PAGE 3)

NO.	PART #	DESCRIPTION	DC351D	DC351F
39	80830441210	SCREW-TRUSS TAPPING/M4x12	X	X
40	8073044121	SCREW-TAPPING/WITH TEETH LOCK WASHER	X	X
41	161008220	COOLING UNIT	X	X
42	80800441620	SCREW-TAPPING/M4x16	X	X
43	320200001	HOLDER-THERMOSTAT BULB	X	X
44	8080043082	SCREW-TAPPING	X	X
45	500800400	SCREW-TAPPING	X	X
46	321105900	HOLDER-COOLING UNIT	X	X
47	322005310	HOLDER-CONDENSER WASHER	X	X
48	8071043163	SCREW-TAPPING	X	X
49	80830431210	SCREW-TAPPING/M4x12	X	X
50	422006700	CLIP-EVAPORATOR HOLDER/U SHAPED	X	X
51	8073044121	SCREW-TAPPING/WITH TEETH LOCK WASHER	X	X
54	83400400010	WASHER-TEETH LOCK	X	X
55	160027600	DOOR ASSY-WITHOUT POCKETS	X	X
56	302311620	DOOR PANEL-BLACK	X	X
57	160923710	DOOR FRAME ASSY-FOAMED LINER	X	X
58	422508800	DOOR POCKET-DOOR SHELF BIN	X	X
59	422508600	PARTITION-DOOR POCKET	X	X
60	427602700	DOOR FRAME-BOTTOM/GRAY	X	X
61	412006670	CUSHION-DOOR PANEL	X	X
62	422107800	COVER PLATE-HINGE HOLE	X	X
NS	422101510	CAP-BLACK/INSTALLATION HOLES (NOT SHOWN)	X	X
NS	16092493007	FAN KIT ASSY (NOT SHOWN)	X	X
NS	16011395008	KIT-POWER SUPPLY (NOT SHOWN)	X	X
		PART IS NO LONGER AVAILABLE		