

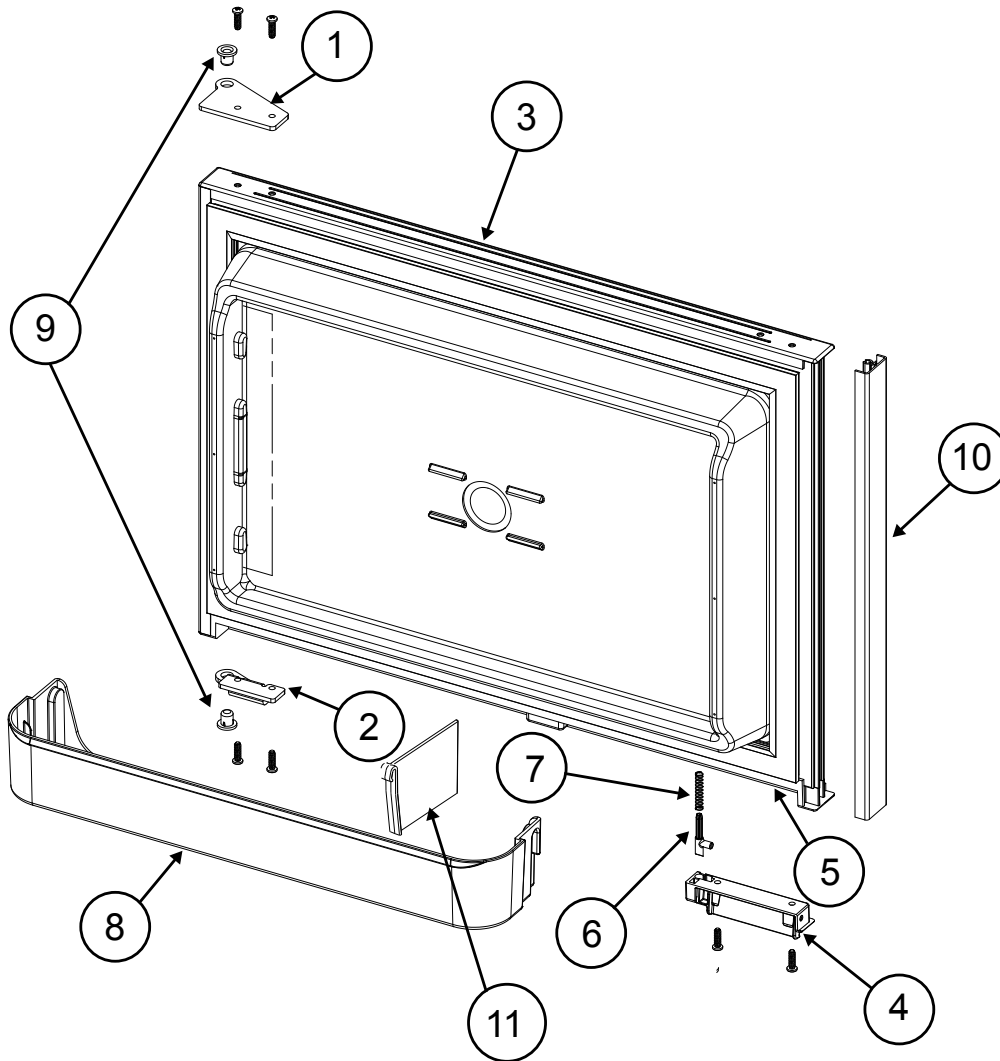


PARTS LIST

**NX64 / NX84 SERIES
NXA64 / NXA84 SERIES**

**PART NO. 636134
NORCOLD 2/08/2018**

UPPER DOOR (FREEZER) - NX64/NXA64/NX84/NXA84 SERIES

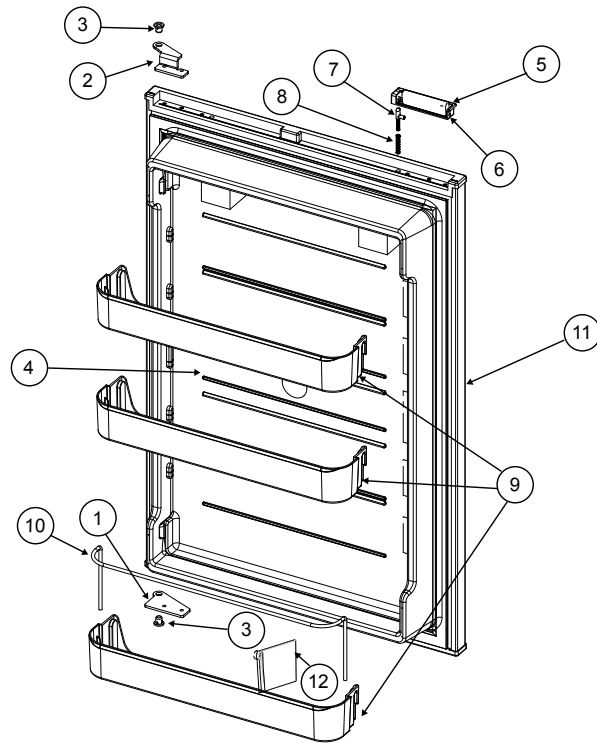


Art02416

NO.	PART #	DESCRIPTION	NX64	NXA64	NX84	NXA84
1	635668	HINGE-FLAT	X	X	X	X
2	635670	HINGE-FORMED, RH	X	X	X	X
3	635645	DOOR ASSY (6')-UPPER/PANEL/BLACK FRAME	X	X	X	X
	635645001	DOOR ASSY (8') -UPPER/PANEL/BLACK FRAME			X	X
	635757	DOOR ASSY (6') -UPPER/WRAP/SS	X	X	X	X
	635757001	DOOR ASSY (8') -UPPER/WRAP/SS			X	X
	635758	DOOR ASSY (6') -UPPER/WRAP/BK	X	X	X	X
	635758001	DOOR ASSY (8') -UPPER/WRAP/BK			X	X
4	635636	DOOR HANDLE-LH	X	X	X	X
5	635634	DOOR HANDLE HOUSING-LH	X	X	X	X
6	635632	CATCH-LH	X	X	X	X
7	627805	SPRING-COMPRESSION	X	X	X	X
8	624864	BIN-DOOR / CLEAR	X	X	X	X
9	635768	HINGE BUSHING (2 PER DOOR)	X	X	X	X
10	635678	PANEL RETAINER (2 PER DOOR)	X	X	X	X
11	619008	DIVIDER-DOOR BIN/CLEAR	X	X	X	X
NS	636362	DOOR PANEL ADAPTER KIT		X		X

NS = NOT SHOWN

LOWER DOOR (FRESH FOOD) - NX64/NXA64/NX84/NXA84 SERIES



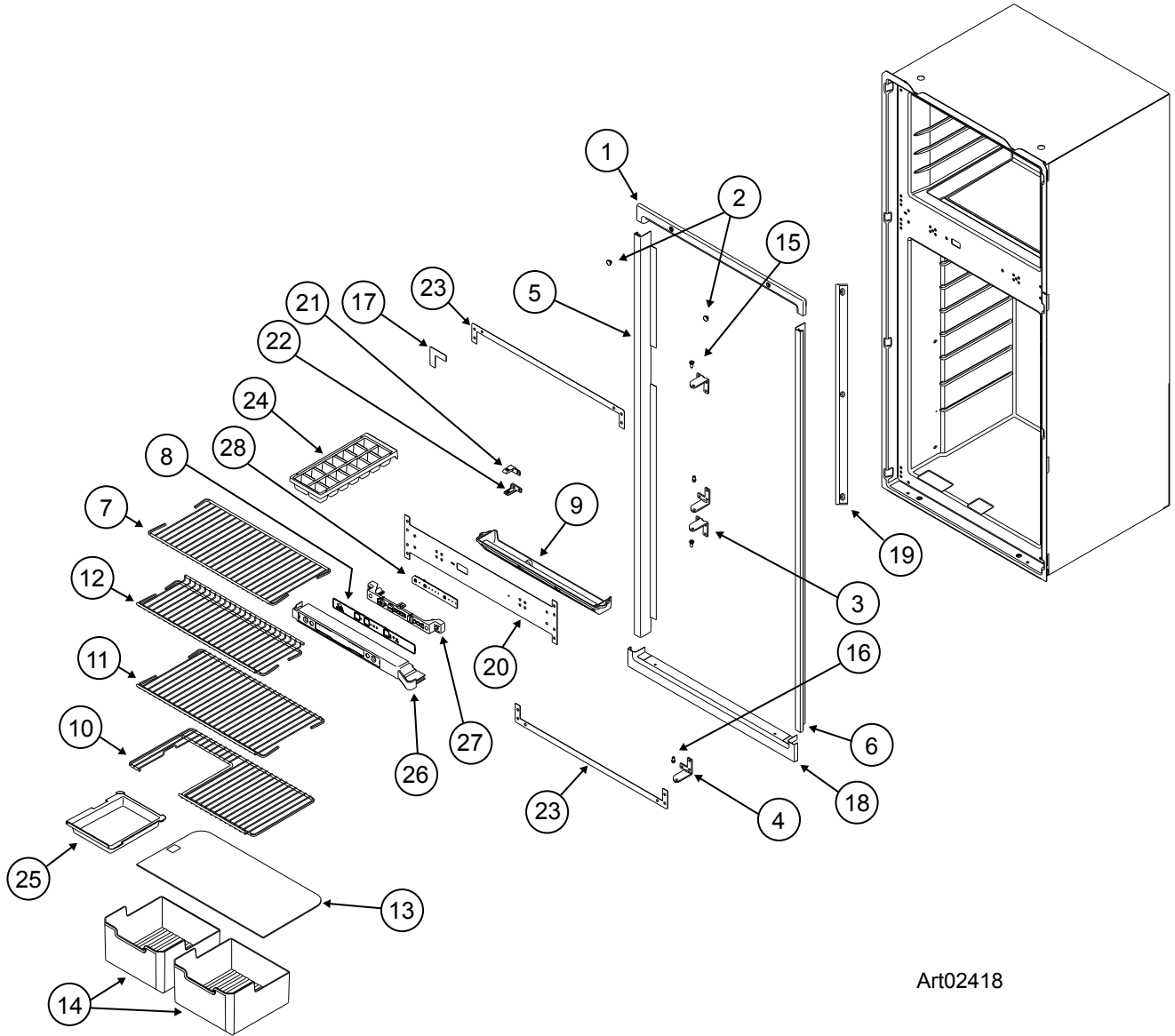
Art02417

NO.	PART #	DESCRIPTION	NX64	NXA64	NX84	NXA84
1	635668	HINGE-FLAT	X	X	X	X
2	635669	HINGE-FORMED-RH	X	X	X	X
3	635768	HINGE BUSHING-DOOR (2 PER DOOR)	X	X	X	X
4	635646	DOOR ASSY-LOWER/6'/PANEL/BLACK FRAME	X	X		
	635647	DOOR ASSY-LOWER/8'/PANEL/BLACK FRAME			X	X
	635759	DOOR ASSY-LOWER/6'/WRAP/SS	X	X		
	635761	DOOR ASSY-LOWER/8'/WRAP/SS			X	X
	635760	DOOR ASSY-LOWER/6'/WRAP/BLK	X	X		
	635762	DOOR ASSY-LOWER/8'/WRAP/BLK			X	X
5	635637	HANDLE-DOOR-RH	X	X	X	X
6	635635	HANDLE HOUSING-RH	X	X	X	X
7	635633	CATCH-RH	X	X	X	X
8	627805	SPRING-COMPRESSION	X	X	X	X
9	624864	BIN-DOOR / CLEAR (3-NX64, 4-NX84)	X	X	X	X
10	624866	WIRE-BIN (USE 632458)	X	X	X	X
	632458	WIRE-BIN	X	X	X	X
11	635679	PANEL RETAINER-6' BLACK (2 PER DOOR)	X	X		
	635680	PANEL RETAINER-8' BLACK (2 PER DOOR)			X	X
12	619008	DIVIDER-DOOR BIN/CLEAR	X	X	X	X
NS	636362	DOOR PANEL ADAPTER KIT		X		X

NS = NOT SHOWN

 PART NO LONGER AVAILABLE

CABINET AREA (FRONT VIEW) - NX64/NXA64/NX84/NXA84 SERIES



Art02418

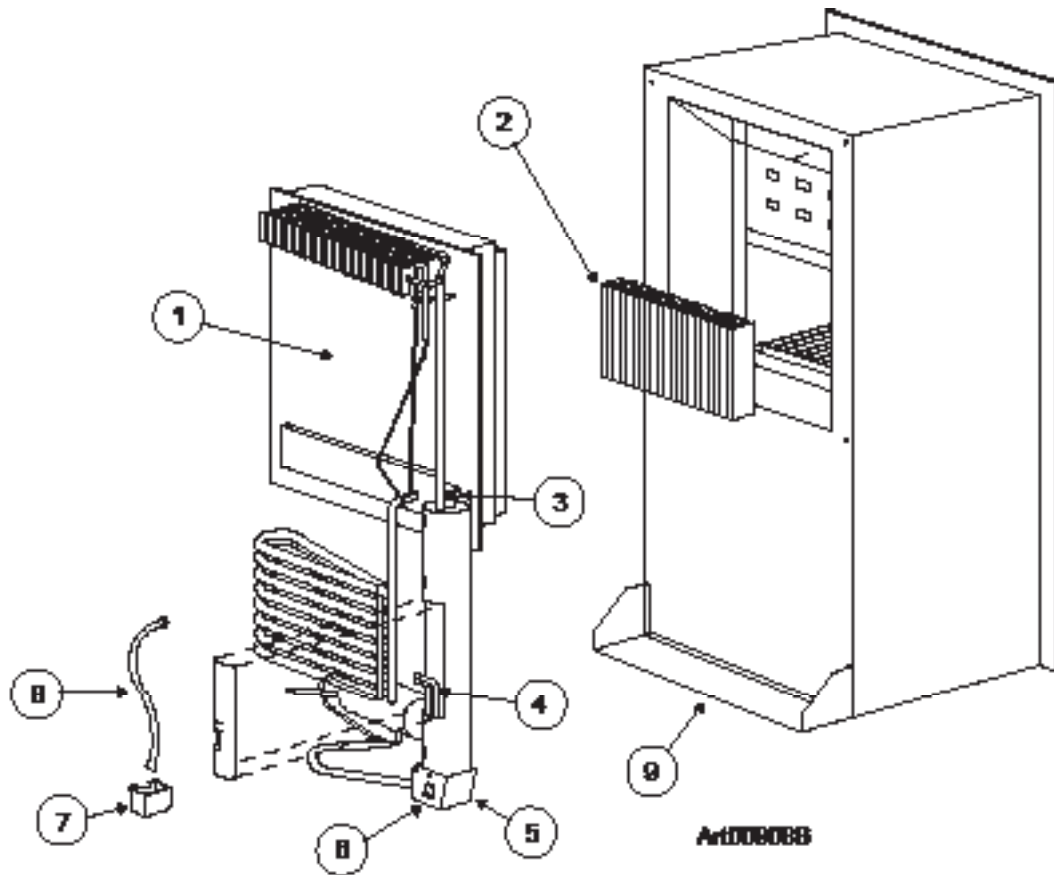
CABINET AREA (FRONT VIEW) - NX64/NXA64/NX84/NXA84 SERIES

NO.	PART #	DESCRIPTION	NX64 NXA64	NX84 NXA84
1	622319	TRIM PIECE ASSY-TOP/WITH INSERTS/BLACK (USE 622325)	X	X
2	618170	HOLE PLUG-FOR TOP TRIM PIECE/BLACK (2 PER CABINET)	X	X
3	635666	HINGE-CABINET-FORMED-LH (2 PER CABINET)	X	X
4	635667	HINGE-CABINET-FORMED-RH (2 PER CABINET)	X	X
5	635799	TRIM SIDE-RH-6' BLK	X	
	635801	TRIM SIDE-RH-8'-BLK		X
6	635800	TRIM SIDE-LH-6' BLK	X	
	635802	TRIM SIDE-LH-8'-BLK		X
7	620250	SHELF-WIRE/FREEZER (S/N 17945280 AND BELOW)	X	X
	632446	SHELF-WIRE/FREEZER (S/N 17945281 AND ABOVE)	X	X
8	635774	FAÇADE-PRINTED (USE SN 22934065 AND BELOW)	X	X
	637397	LABEL FAÇADE BEST (USE SN 22934066 AND ABOVE)	X	X
9	623250	DRIP TRAY-INSIDE (ONE PIECE DRIP TRAY & LOUVER)	X	X
10	620268	SHELF-WIRE/CUT OUT ((S/N 17945280 AND BELOW))	X	X
	632447	SHELF-WIRE/CUT OUT (S/N 17945281 AND ABOVE)	X	X
11	620270	SHELF-WIRE/FULL (1-NX61, 2-NX84) ((S/N 17945280 AND BELOW))	X	X
	632449	SHELF-WIRE/FULL (1-NX61, 2-NX84) (S/N 17945281 AND ABOVE)	X	X
12	620269	SHELF-WIRE/SHORT ((S/N 17945280 AND BELOW))	X	X
	632448	SHELF-WIRE/SHORT (S/N 17945281 AND ABOVE)	X	X
13	618158	CRISPER COVER-GLASS SHELF	X	X
14	619007	CRISPER-CLEAR (2 PER CABINET, 3 PER ICE MAKER CABINET)	X	X
15	635777	HINGE PIN-LOWER (2 PER CABINET)	X	X
16	635778	HINGE PIN-UPPER (2 PER CABINET)	X	X
17	635769	COVER-HINGE HOLE (2 PER CABINET)	X	X
NS	636172	COVER-CENTER HINGE HOLE (1 PER CABINET)	X	X
18	622323	TRIM PIECE FOAM TAPE ASSY-BOTTOM/BLACK	X	X
19	622033	SHELF RETAINER	X	X
20	635781	DIVIDER COVER	X	X
21	635664	STRIKE PLATE-LH-BLACK	X	X
22	635665	STRIKE PLATE-RH-BLACK	X	X
NS	636227	STRIKE PLATE	X	X
23	635767	TRIM STRIP-SELF ADHESIVE (2 PER CABINET)	X	X
24	61630422	ICE CUBE TRAY (2 PER CABINET-NON ICE MAKER ONLY)	X	X
25	617756	TRAY-CUT OUT SHELF	X	X
26	635623	CONTROL HOUSING (USE 636354)	X	X
NS	636354	CONTROL COVER (REQUIRES 636227 STRIKE PLATE) USE 637773	X	X
NS	637773	CONTROL COVER (USE SN 22934066 AND ABOVE)	X	X
27	635624	BUTTON RETAINER	X	X
28	631365	CONTROL BOARD (USE 638997)	X	X
	638997	KIT SERVICE CONTROL BOARD REPLACEMENT	X	X
NS	622325	KIT-INSTALLATION/BLACK (TRIM PIECES/SCREWS/PLUGS)	X	X

NS = NOT SHOWN

 PART NO LONGER AVAILABLE

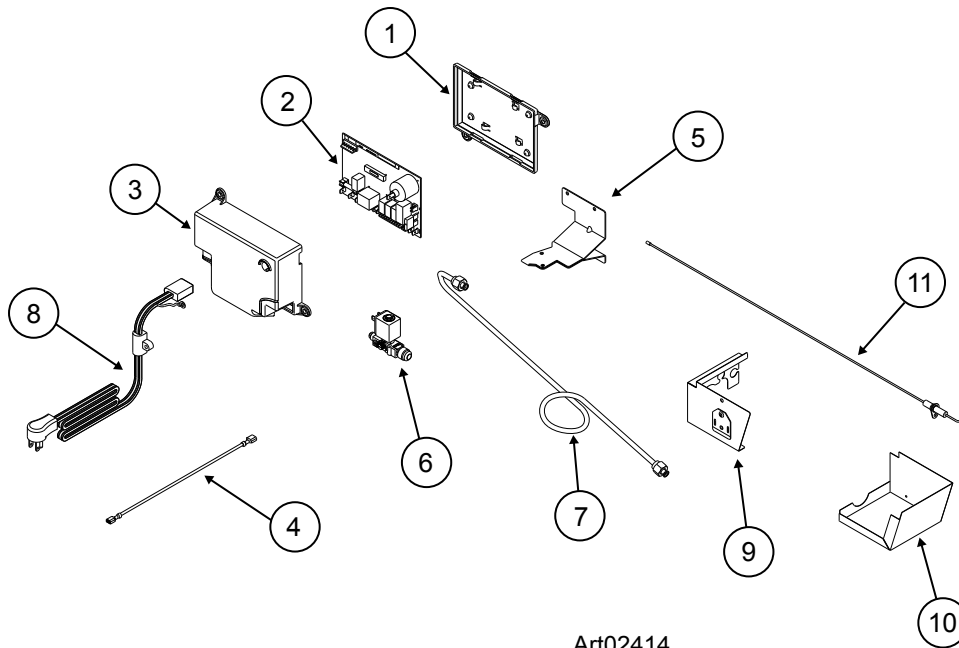
CABINET AREA (REAR VIEW) - NX64/NXA64/NX84/NXA84 SERIES



NO.	PART #	PART DESCRIPTION	NX64 NXA64	NX84 NXA84
1	632307	NSC SYSTEM PACK-COOLING UNIT (BACKER HEATER)	X	
	632314	NSC SYSTEM PACK-COOLING UNIT (BACKER HEATER)		X
NS	2M0802	THERMAL SWITCH/BRACKET ASSY	X	X
NS	618111	BAFFLE DIFFUSER/WIRE ASSY-COOLING UNIT	X	X
2	61686823	FINS	X	X
3	61695022	CAP-HEAT DEFLECTOR	X	X
4	630811	HEATER-AC/BACKER	X	X
	630812	HEATER-DC/BACKER (3 WAY MODELS ONLY)	X	X
5	61695322	BASE-BURNER BOX	X	X
6	61712637	COVER ASSY-BURNER BOX	X	X
7	622546	DRIP CUP-REAR/PLASTIC	X	X
8	622390	DRAIN HOSE ASSY	X	
	622391	DRAIN HOSE ASSY		X
9	61586722	BRACE-CABINET BACK	X	X

NS = NOT SHOWN

CONTROLS (REAR VIEW) - NX64/NXA64/NX84/NXA84 SERIES

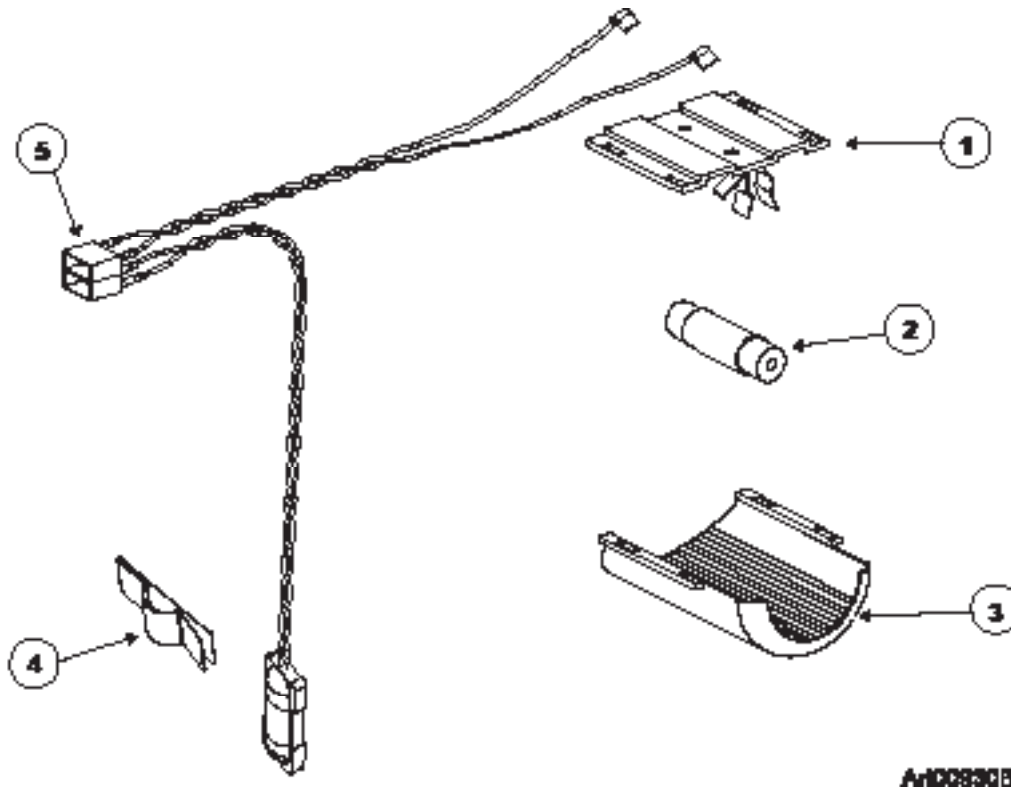


Art02414

NO.	PART #	PART DESCRIPTION	NX64 NXA64	NX84 NXA84
1	628674	BASE-POWER BOARD	X	X
	628675	BASE-POWER BOARD (3 WAY MODELS ONLY)	X	X
2	628661	POWER BOARD	X	X
NS	628669	POWER BOARD - DC (3 WAY MODELS ONLY) (USE 637764)	X	X
	637764	KIT SERVICE DC POWER BOARD REPLACEMENT	X	X
3	628677	COVER-POWER BOARD	X	X
	628678	COVER-POWER BOARD (3 WAY MODELS ONLY)	X	X
4	621448	WIRE-WHITE 9" (2 PER CABINET)	X	X
5	628993	BRACKET-GAS VALVE	X	X
6	633726	GAS VALVE	X	X
7	624682	BURNER TUBE	X	X
8	61554422	CORD-AC POWER/BLACK (NON ICE MAKER MODELS ONLY)	X	X
	618406	CORD-AC POWER (ICE MAKER MODELS ONLY)	X	X
9	61712637	COVER ASSY-BURNER BOX	X	X
10	61695322	BASE-BURNER BOX	X	X
11	61692222	ELECTRODE-SPARK/SENSE/SINGLE ELECTRODE/0.25" (USE 638097)	X	X
	638097	KIT SERVICE SPARK SENSE ELECTRODE REPLACEMENT	X	X
NS	621957	KIT-BURNER/ORIFICE ADAPTER ASSY	X	X

NS = NOT SHOWN

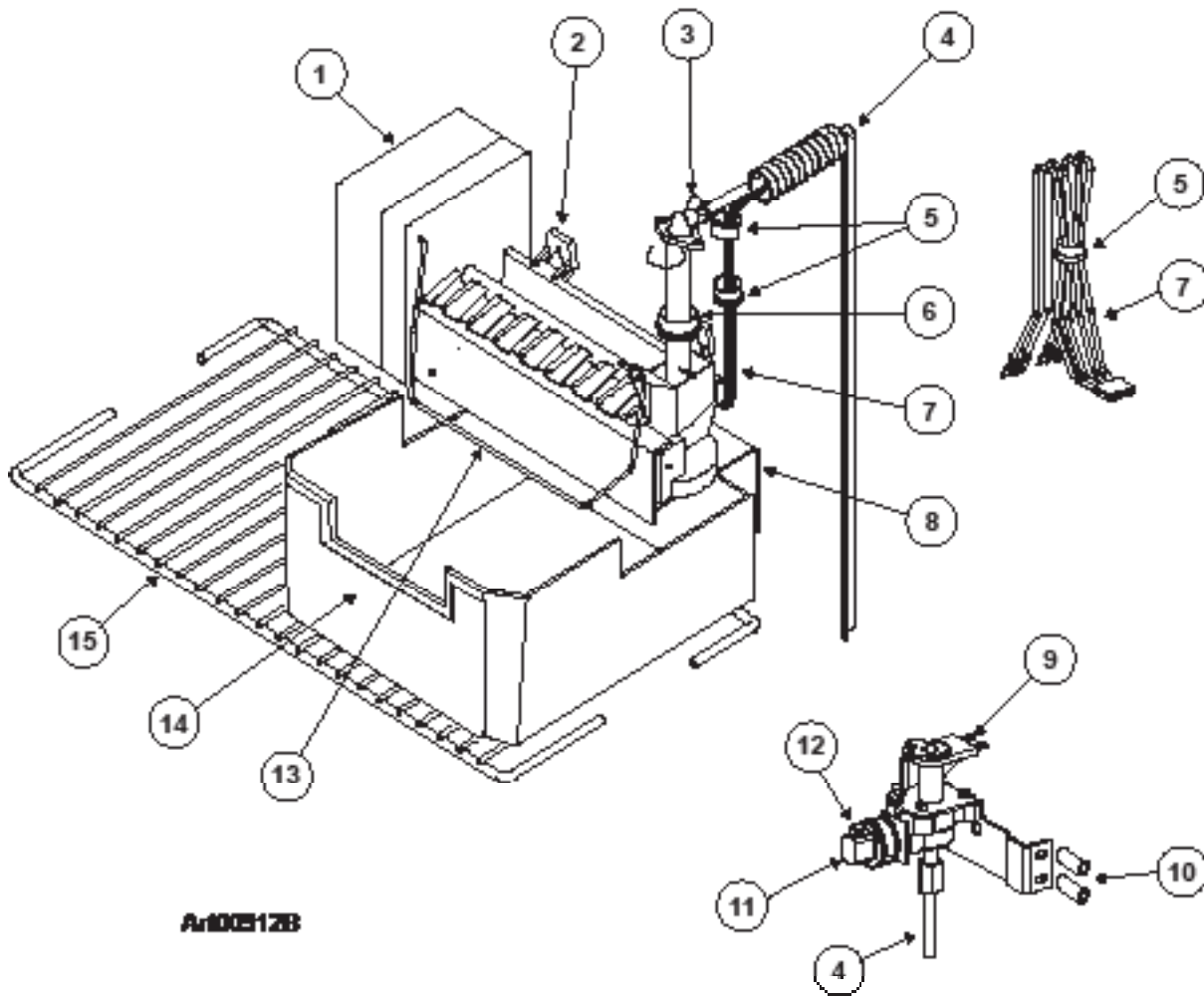
INTERIOR LIGHT AND THERMISTER ASSY - NX64 /NXA64/NX84/NXA84 SERIES



Am00830B

NO.	PART #	PART DESCRIPTION	NX64 NXA64	NX84 NXA84
1	61629722	LAMP BRACKET ASSY	X	X
2	632545	LAMP-DC LIGHT BULB	X	X
3	621827	COVER-LAMP BRACKET	X	X
4	633734	CLIP-THERMISTER MOUNTING/FIN (USE 638281)	X	X
	638281	KIT SERVICE FIN CLIP REPLACEMENT	X	X
5	618548	LAMP THERMISTER WIRE ASSY	X	X
		NO LONGER AVAILABLE		

ICE MAKER AREA - NX64/NXA64/NX84/NXA84 SERIES - ICE MAKER MODELS



Art005128

NO.	PART #	PART DESCRIPTION	NX64IM	NX84IM
1	61656822	COVER-FRONT / ICEMAKER	X	X
2	633324	KIT-ICE MAKER	X	X
3	61690822	CLAMP-TUBING / IM	X	X
4	617869	TUBE- WATER FEED	X	X
5	61346822	BUSHING-SNAP	X	X
6	620659	FITTING-WATER TUBE	X	X
7	618407	WIRE HARNESS / IM	X	X
8	620889	BRACKET-MOUNTING / IM	X	X
9	633325	KIT-WATER VALVE / SINGLE PORT	X	X
10	618169	SPACER-WATER VALVE / NYLON	X	X
11	61679622	GARDEN HOSE ADAPTER-STRAIGHT / IM	X	X
12	622991	NUT-COMPRESSION / WATER VALVE FITTING-PLASTIC	X	X
13	61656922	SHUT OFF ARM / IM	X	X
14	619007	BIN-ICE / CRISPER - CLEAR	X	X
15	632445	SHELF-WIRE / FREEZER	X	X
NS	621429	WATER TUBE / HEATER ASSY	X	X
NS	623182	KIT-OEM WATER TUBE FITTINGS / IM	X	X

NS = NOT SHOWN

FAN MODEL COMPONENTS - NX64/NXA64/NX84/NXA84 SERIES

PART #	PART DESCRIPTION	WITHOUT ICE MAKER	WITH ICE MAKER
628747	BRACKET-DC FAN	1	1
61417922	CABLE TIE-NYLON (3 PER REFRIGERATOR)	3	4
628685	FAN-EXTERNAL-DC	1	1
618093	THERMOSTAT-DC FAN / THERMO DISC	1	1
618950	WIRE MOUNT-ADHESIVE (2 PER REFRIGERATOR)	2	2
621943	WIRE-60"	1	1
628758	WIRE-AUXILLARY/OUTPUT/BLACK	1	1
628759	WIRE-AUXILLARY/OUTPUT/RED	1	1
629883	WIRE ASSY	1	1
629882	WIRE ASSY	1	1
619017	WIRE-6" BLACK		1
618978	WIRE-FAN-RED 6"		1