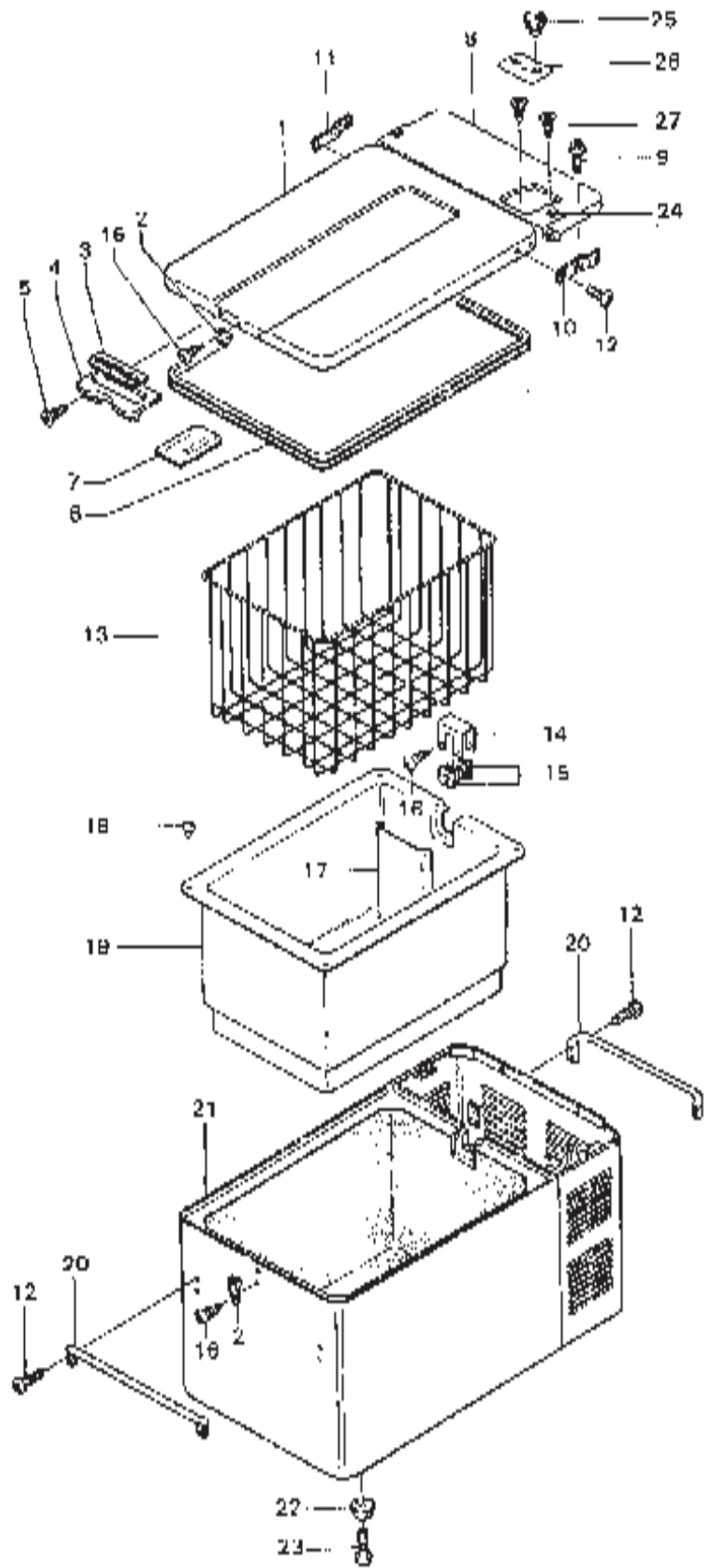




# **PARTS LIST**

**MRFT 630C  
&  
MRFT 640C**

# Door & Cabinet Assembly - MRFT 630C and MRFT 640C

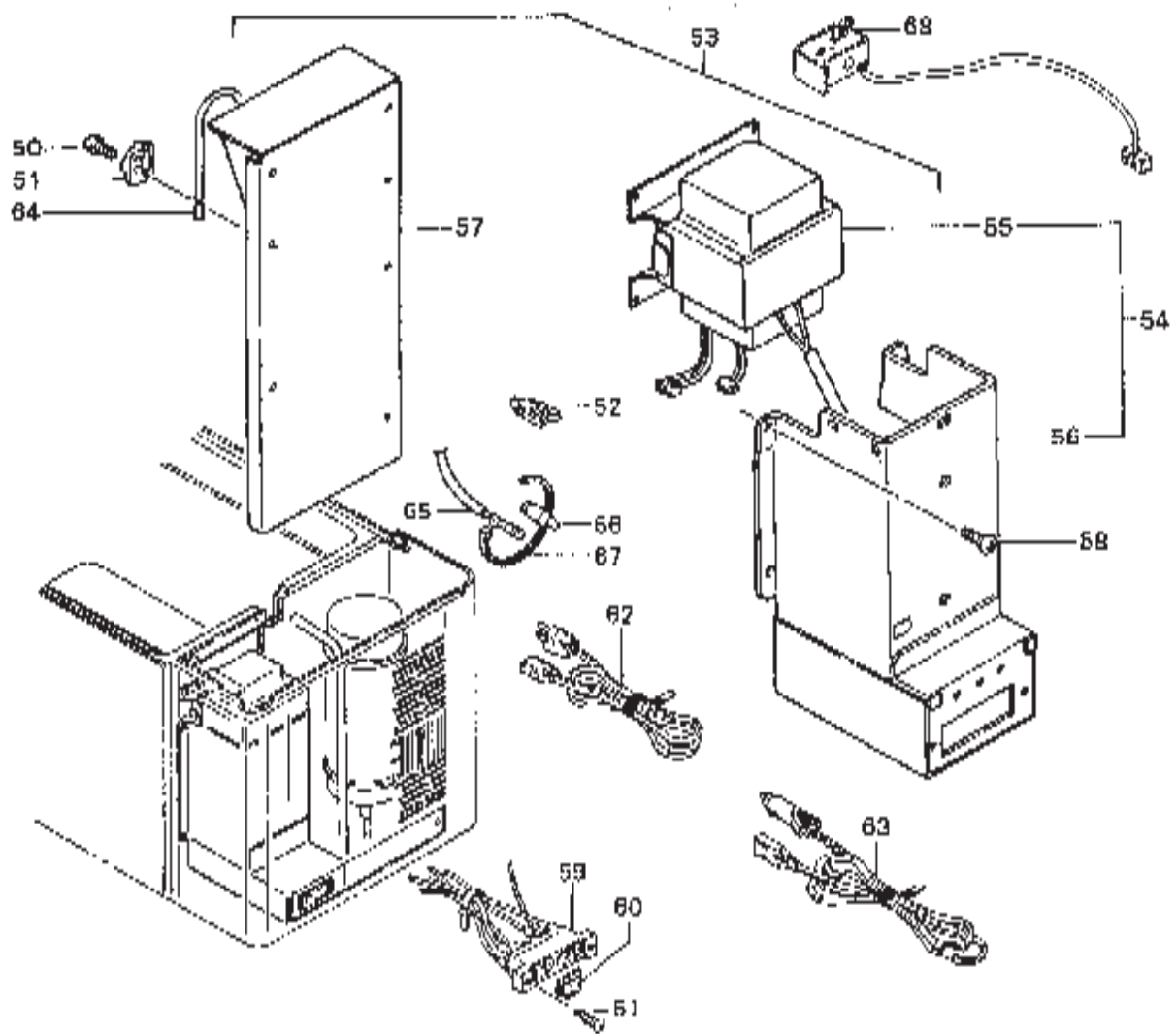


## Door & Cabinet Assembly

NO.	PART NUMBER	DESCRIPTION	MRFT-630C	MRFT-640C
1	1600 014 20	DOOR ASSEMBLY-GRAY	X	X
2	6260 005 00	LATCH ASSEMBLY	X	X
3	5450 077 02	MARK (NOCOLD) (BLACK) (WITH GRAY CABINET)	X	X
4	4225 004 01	DOOR HANDLE (WITHOUT NORCOLD MARK)	X	X
5	8081 041 21	SCREW (TAPPING)	X	X
6	4148 016 00	DOOR GASKET 9GRAY DOOR ASSEMBLY)	X	X
7	5460 295 00	CAUTION PLATE	X	X
8	1602 069 00	COVER ASSEMBLY (GRAY)	X	X
9	8000 040 104	SCREW	X	X
10	3041 017 02	HINGE PLATE (THERMOSTAT KNOB SIDE)	X	X
11	3041 017 11	HINGE PLATE	X	X
12	8050 040 104	SCREW	X	X
13	5230 003 01	BASKET	X	
	5231 008 00	BASKET		X
14	4330 009 00	COVER (PIPE)	X	X
15	4160 063 00	BUSHING (FOR PIPE COVER)	X	X
16	8085 034 122	SCREW (TAPPING)	X	X
17	4211 009 00	BLIND COVER	X	X
18	6451 101 400	FASTENER (PLASTIC RIVET)	X	X
19	4332 004 02	INNER CASE	X	
	4332 011 01	INNER CASE		X
20	3233 005 50	HANDLE (GRAY CABINET)	X	
21	1609 176 00	CABINET-GRAY	X	
	1609 177 00	CABINET-GRAY		X
22	4120 005 00	CUSHION (RUBBER LEG)	X	X
23	8001 040 161	SCREW	X	X
24	6412 000 10	CUSHION (EVAPORATOR COVER)	X	X
25	1602 067 00	THERMOSTAT KNOB	X	X
26	5450 261 03	MARK -THERMOSTAT	X	X
27	8081 044 121	SCREW (TAPPING)	X	X
NS	3409 126 60	COVER-LOWER CABINET		X
NS	4223 008 00	HOLDER ("I") (EVAPORATOR)	X	X
NS	4220 067 00	EVAPORATOR HOLDER CLIP	X	X

PART IS NO LONGER AVAILABLE

# Thermostat & Power Supply Areas - MRFT 630C and MRFT 640C

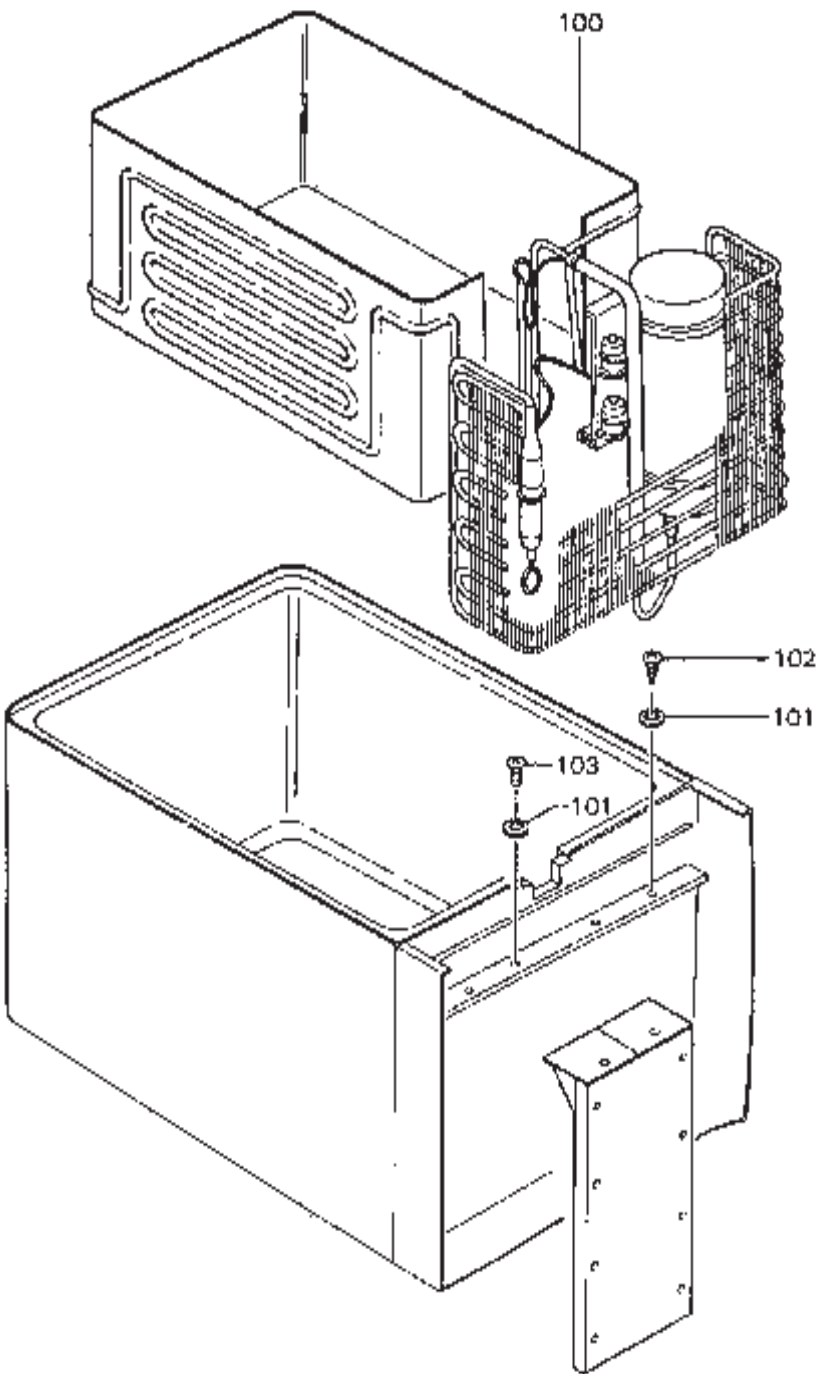


## Thermostat & Power Supply

NO.	PART NUMBER	DESCRIPTION	MRFT-630C	MRFT-640C
50	8080 043 082	SCREW (TAPPING)	X	X
51	4223 050 00	HOLDER (THERMISTOR AT EVAPORATOR)	X	X
52	6451 028 00	HOLDER-CORD		
53	1601 079 00	POWER SUPPLY W/ PLATE	X	X
54	1601 079 00	POWER SUPPLY W/O PLATE	X	X
55	1960 131 00	TRANSFORMER ASSEMBLY	X	X
56	1630 081 00	OSCILLATOR ONLY	X	X
57	1632 075 00	PLATE ASSEMBLY	X	
	1632 075 10	PLATE ASSEMBLY		X
58	8084 043 081	SCREW (TRUSS TAPPING- 4 X 8)	X	X
59	1632 055 00	TERMINAL BLOCK	X	X
60	4221 020 01	COVER-TERMINAL BLOCK	X	X
61	8085 034 101	SCREW	X	X
62	1912 133 40	AC CORD ASSEMBLY	X	X
63	1912 230 00	DC CORD ASSEMBLY	X	X
64	6055 032 00	THERMISTOR-EVAPORATOR	X	X
65	6055 033 01	THERMISTOR - WIRE CONDENSER	X	X
66	4101 102 00	CAP-THERMISTOR	X	X
67	6451 059 00	FASTENER	X	X
68	1601 072 20	THERMOSTAT	X	X

PART IS NO LONGER AVAILABLE

Cooling Unit Assembly - MRFT 630C and MRFT 640C



## Cooling Unit Assembly

<b>NO.</b>	<b>PART NUMBER</b>	<b>DESCRIPTION</b>	<b>MRFT-630C</b>	<b>MRFT-640C</b>
100	1610 053 00	COOLING UNIT (INVERTED COMPRESSOR)	X	X
101	8340 040 001	WASHER (LOCKTOOTH)	X	X
102	8083 043 121	SCREW (TAPPING)	X	X
103	8000 040 121	SCREW	X	X
		PART IS NO LONGER AVAILABLE		