



PARTS LIST

DEF788/DER788 SERIES EVF788/EVR788 SERIES

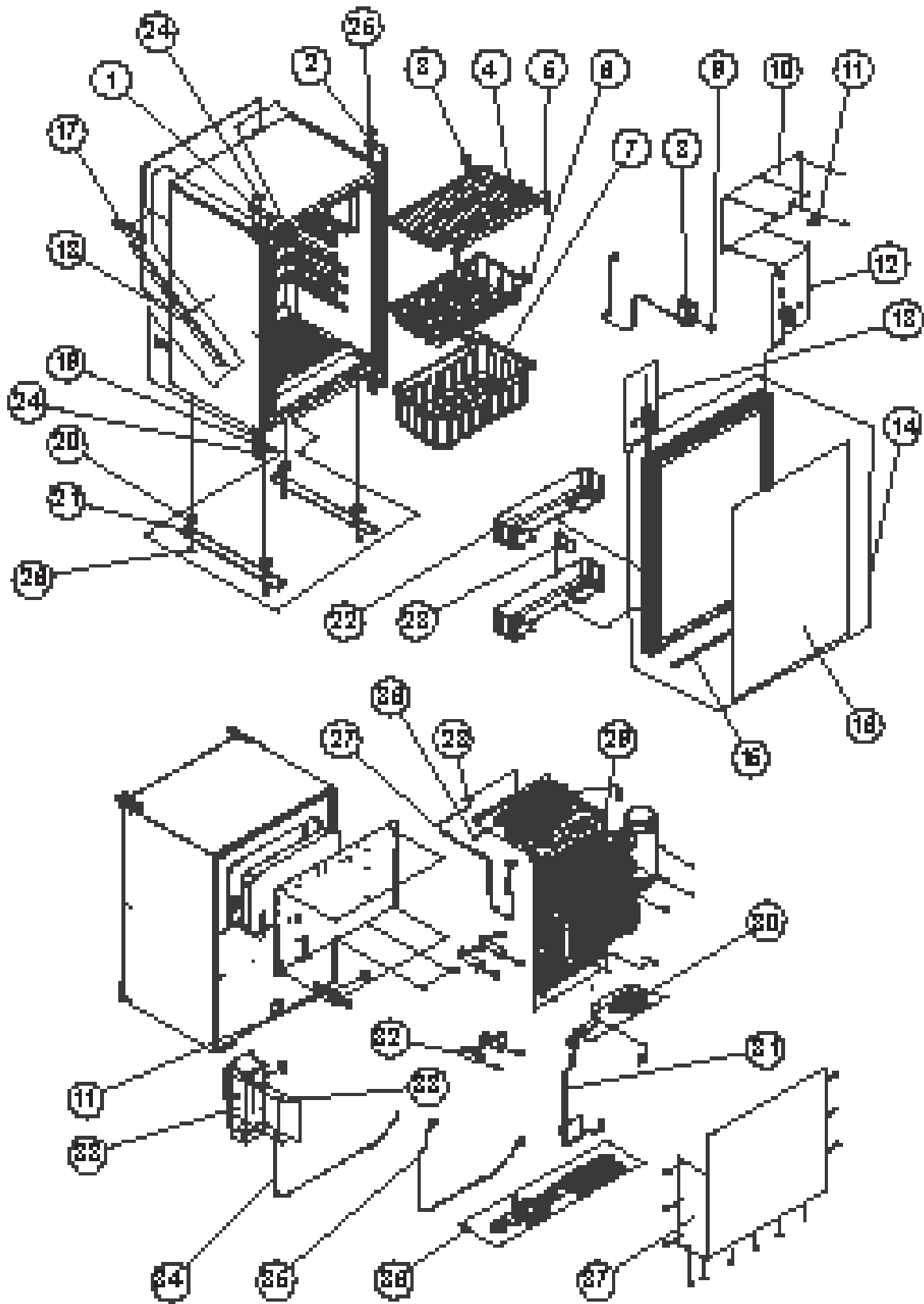
Freezer Models

DEF788B (Black Doors)
DEF788S (Stainless Doors)
EVF788B (Black Doors)
EVF788S (Stainless Doors)

Refrigerator Models

DER788B (Black Door)
DER788S (Stainless Door)
EVR788B (Black Door)
EVR788S (Stainless Door)

DEF788, DER788, EVF788, EVR788 SERIES



DEF788, DER788, EVF788, EVR788 SERIES

NO.	PART NUMBER	DESCRIPTION	DEF788B DEF788S	DER788B DER788S	EVF788B EVF788S	EVR788B EVR788S
1	3002 075 00	PLATE LATCH	X	X	X	X
2	1609 326 00	HINGE ASSY-DOOR	X	X	X	X
3	6451 039 50	HOLDER-SHELF	X	X	X	X
4	5230 053 00	SHELF-TOP	X	X	X	X
5	5230 055 00	STOPPER-SHELF	X	X	X	X
6	5230 054 01	BASKET	X	X	X	X
7	4332 090 00	ICE BIN	X		X	
8	1601 209 00	THERMOSTAT-CONTROL ASSY	X		X	
8	1601 209 10	THERMOSTAT-CONTROL ASSY		X		X
9	1602 067 00	KNOB-THERMOSTAT	X	X	X	X
10	4303 070 00	PLATE-I	X	X	X	X
11	4160 042 00	BUSHING-I PLATE	X	X	X	X
12	4225 141 02	DOOR HANDLE ASSY-BLACK	BLK	BLK	BLK	BLK
	636261	DOOR HANDLE ASSY-BLACK	BLK	BLK	BLK	BLK
13	4225 141 12	DOOR HANDLE ASSY-STAINLESS	SS	SS	SS	SS
	636436	DOOR HANDLE ASSY-STAINLESS	SS	SS	SS	SS
14	1600 584 11	DOOR ASSY-BLACK/FREEZER MODELS	BLK		BLK	
	1600 584 10	DOOR ASSY-STAINLESS/FREEZER MODELS	SS		SS	
	1600 584 21	DOOR ASSY-BLACK/REFRIGERATOR MODELS		BLK		BLK
	1600 584 31	DOOR ASSY-STAINLESS/REFRIGERATOR MODELS		SS		SS
15	4276 142 00	DOOR FRAME-BOTTOM PANEL RETAINER/BLACK	BLK	BLK	BLK	BLK
	4276 142 10	DOOR FRAME-BOTTOM PANEL RETAINER/STAINLESS	SS	SS	SS	SS
16	3023 117 10	DOOR PANEL-BLACK	BLK	BLK	BLK	BLK
	3023 117 40	DOOR PANEL-STAINLESS	SS	SS	SS	SS
17	4120 304 10	CUSHION-SHORT	X	X	X	X
18	4120 304 00	CUSHION-LONG	X	X	X	X
19	3041 110 40	PLATE-DOOR STOP	X	X	X	X
20	3223 019 00	SUPPORT-BOTTOM RAIL	X	X	X	X
21	3609 065 10	BOTTOM RAIL-SPACER/LEG	X	X	X	X
22	4225 089 00	DOOR POCKET-DOOR SHELF BIN	X	X	X	X
23	4225 086 00	PARTITION-DOOR POCKET	X	X	X	X
24	8050 050 10	SCREW M5*10 SUS	X	X	X	X
25	5010 427 00	BOLT M5*14	X	X	X	X
26	8010 060 20	SCREW M6*40	X	X	X	X
27	6055 054 20	THERMISTER-EVAPORATOR	X	X	X	X
28	4223 050 00	HOLDER-THERMISTER	X	X	X	X
29	1610 146 01	COOLING UNIT-60W/FREEZER MODELS	X		X	
	1610 146 11	COOLING UNIT-40W/REFRIGERATOR MODELS		X		X
30	1609 289 00	FAN MOTOR ASSY	X	X	X	X
31	6010 580 60	COUPLER ASSY-FAN ASSYS	X	X	X	X
32	3211 059 00	HOLDER-CONDENSER/COOLING UNIT	X	X	X	X
33	1601 181 30	POWER SUPPLY-DE/40W		X		
	1601 181 50	POWER SUPPLY-EV/40W				X
	1601 206 00	POWER SUPPLY-DE/60W	X			
	1601 206 10	POWER SUPPLY-EV/60W			X	
34	1921 166 07	CORD WITH TERMINAL	X	X	X	X
35	1902 647 10	COUPLER ASSY	X	X	X	X
36	1609 289 00	FAN MOTOR ASSY-(3)	X	X	X	X
37	3224 398 10	DUCT-COVER	X	X	X	X
38	8073 044 12	SCREW-TAPPING	X	X	X	X

PART IS NO LONGER AVAILABLE