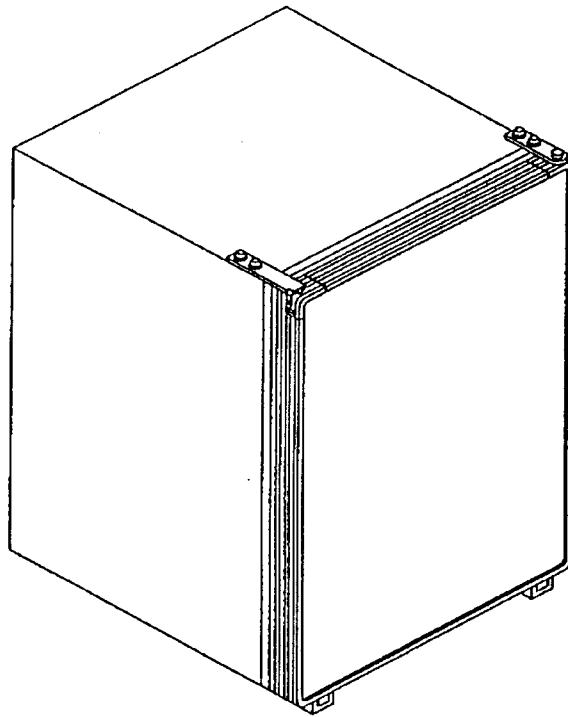




RFP MODEL
DC-390D-(V)

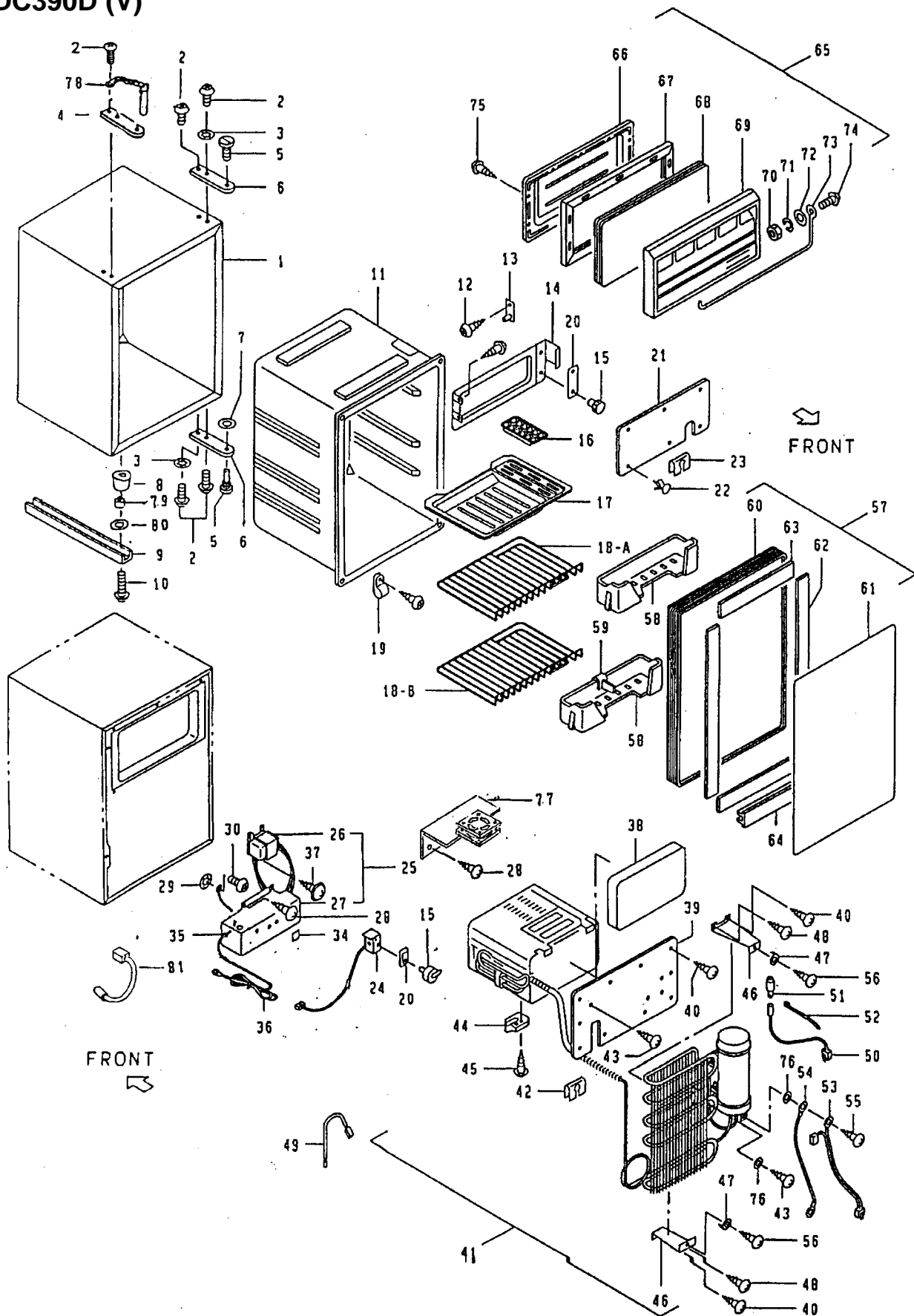
PARTS LIST



SERVICE CODE : QK - 01

NORCOLD
PO BOX 4248
SIDNEY, OH 45365

DC390D (V)



DC390D (V)

ILLUSTRATION NUMBER	PARTS NUMBER	DESCRIPTION	QUANTITY PER ONE SET
1	1609 242 20	Cabinet	1
②	8050 050 104	Screw	6
③	8340 050 001	Toothed Lock Washer	2
78	1602 076 20	Travel Pin Assembly	1
4	3041 110 10	Plate	1
⑤	5055 023 30	Hinge Pin	2
⑥	3041 110 00	Plate (Hinge)	2
⑦	8300 087 001	Washer	1
8	4120 008 00	Cushion	4
79	2400 248 00	collar	4
80	8300 067 001	Washer	4
⑨	3223 019 00	Support	2
⑩	8010 060 401	Screw	4
⑪	1609 240 00	Inner Case Assembly	1
⑫	8083 044 122	Tapping Screw	8
⑬	1609 048 00	Inner Hinge (for Evaporator)	2
⑭	4226 001 20	Evaporator Frame	1
⑮	1602 067 00	Dial Assembly	1
⑯	1602 030 00	Ice Cube Tray	2
⑰	4330 005 00	Drainage Pan	1
⑱-A	5230 012 10	Shelf	1
⑱-B	5230 012 20	Shelf	1
⑲	6451 039 50	Holder	2
⑳	5450 207 70	Mark	1
㉑	4303 070 00	"I" Plate	1
㉒	6451 005 10	Fastener	6
㉓	4160 042 00	Bushing	1
㉔	1601 072 10	Temperature Control Assembly	1
25	1601 136 00	Power Supply	1
26	1960 131 50	Transformer Assembly	1
27	1630 081 90	Oscillator Assembly	1
㉘	8083 044 121	Tapping Screw	8
㉙	8340 040 00	Toothed Lock Washer	2
㉚	8000 040 121	Screw	1
34	5460 229 00	Mark	1
35	6016 000 10	Grommet	1
36	1902 619 00	Coupler Assembly	1
㉛	8073 044 121	Tapping Screw with Toothed Lock Washer	2
81	1912 369 00	Cord Assembly	1
㉜	4390 103 00	Heat Insulator	1
㉝	1612 127 00	Plate Blind	1
㉞	8083 044 121	Tapping Screw	10
㉟	1610 080 20	Cooling Unit	1
㊱	4160 042 00	Bushing	1
㊲	8073 044 121	Tapping Screw	10

○ : These parts are interchangeable with DE-390D's Parts.

DC390D (V)

ILLUSTRATION NUMBER	PARTS NUMBER	DESCRIPTION	QUANTITY PER ONE SET
④④	4223 050 00	Thermistor Holder	1
④⑤	8080 043 082	Tapping Screw	1
④⑥	3211 059 00	Holder	2
④⑦	3220 053 10	Holder	1
④⑧	8073 044 124	Tapping Screw	2
④⑨	6055 032 00	Evaporator Thermistor	2
⑤①	6055 033 01	Wire Condenser Thermistor	1
⑤①	4101 102 00	Thermistor Cap	1
⑤②	6451 059 00	Fastener	1
⑤③	1902 286 30	Coupler Assembly	1
⑤④	1921 166 05	Cord with Terminal	1
⑤⑤	8084 043 081	Tapping Screw	1
⑤⑥	8071 043 163	Tapping Screw	2
⑤⑦	1600 279 10	Door Assembly (Black) (without Door Pocket)	1
⑤⑧	4225 089 00	Door Pocket	2
⑤⑨	4225 086 00	Partition	1
⑥①	1609 239 10	Frame Assembly	1
⑥①	3023 117 10	"S" Plate (Black)	1
⑥②	4120 066 90	Cushion	2
⑥③	4120 066 80	Cushion	2
⑥④	4276 027 20	Bottom Frame	1
⑥⑤	1600 038 20	Evaporator Door Assembly (Black)	1
⑥⑥	4331 010 00	Inner Door Plate	1
⑥⑦	4148 007 00	Inner Door Gasket	1
⑥⑧	4390 048 00	Heat Insulator	1
⑥⑨	4225 006 20	Inner Door	1
⑦①	8260 041 009	Nut	1
⑦①	8320 042 001	Spring Washer	1
⑦②	8300 041 009	Washer	2
⑦③	5206 002 00	Torsion Bar	1
⑦④	8000 040 124	Screw	1
⑦⑤	8083 034 062	Tapping Screw	10
⑦⑥	8340 040 001	Toothed Lock Washer	2
77	1609 249 40	Fan Motor Assembly	1

○ : These parts are interchangeable with DE-390D's Parts.