



PARTS LIST

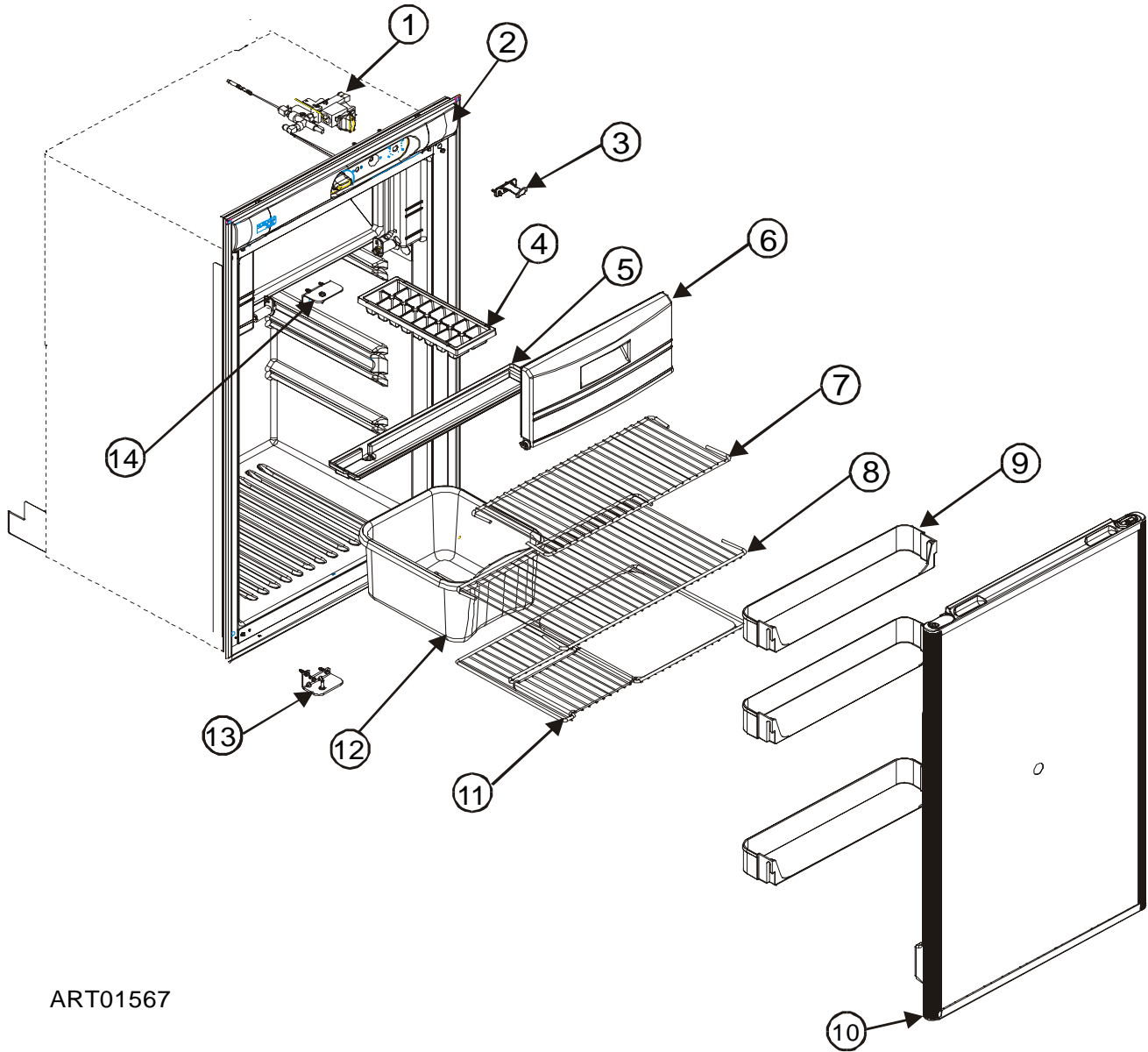
MODELS

N500

N500.3

PART # 620428
NORCOLD 03/01/2009

CABINET ASSEMBLY (FRONT VIEW) - N500 SERIES



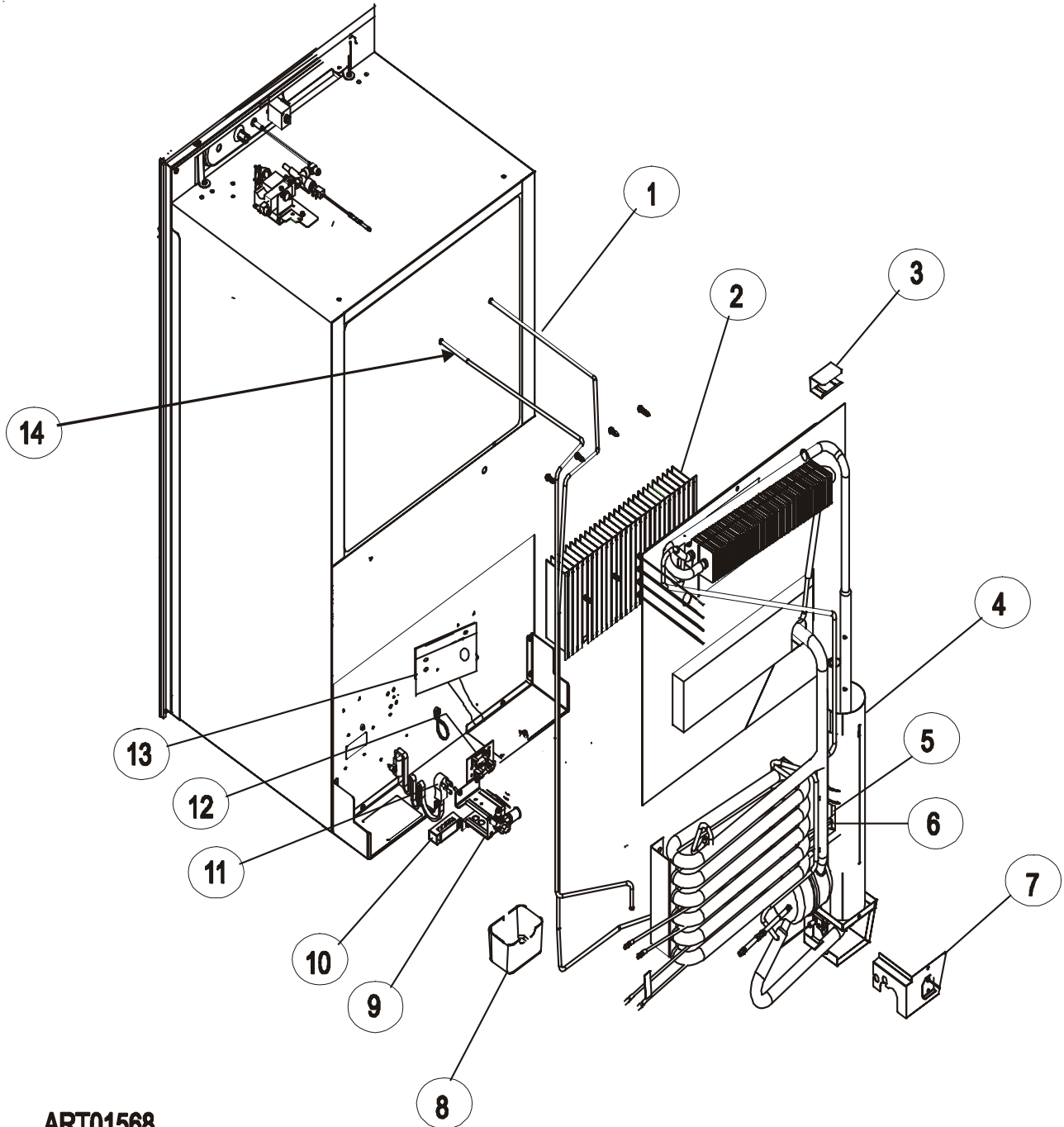
ART01567

CABINET ASSEMBLY (FRONT VIEW) - N500 SERIES

NO.	PART #	DESCRIPTION	N500	N500.3
1	620195	GAS CONTROL ASSY	*	*
NS	620881	SHROUD-UPPER CONTROL AREA	*	*
2	620201	CONTROL PANEL ASSY	*	
	620445	CONTROL PANEL ASSY		*
NS	619070	KNOB-SELECTOR-TAUPE (SUBSTITUTE 629357 - WARM GRAY)	*	*
NS	619069	KNOB-GAS CONTROL (USE 619070)	*	*
3	619103	LATCH-DOOR	*	*
4	61630422	ICE CUBE TRAY-PLASTIC	*	*
5	622858	DRIP TRAY-INSIDE	*	*
6	619117	FREEZER DOOR ASSY	*	*
NS	619042	SPRING HOLDER ASSY-LH/EVAPORATOR DOOR	*	*
NS	619041	SPRING HOLDER ASSY-RH/EVAPORATOR DOOR	*	*
7	620156	SHELF-WIRE/TOP/SHORT	*	*
8	620155	SHELF-WIRE/MIDDLE	*	*
9	620157	BIN-DOOR SHELF (3 PER REFRIGERATOR)	*	*
10	620125	DOOR ASSY-CABINET	*	*
11	620178	SHELF-WIRE/LOWER/FLIPPER	*	*
12	621309	BIN-CRISPER	*	*
NS	621412	COVER-CRISPER	*	*
13	620187	HINGE-CABINET/UPPER RH/LOWER LH	*	*
NS	61550722	HINGE PIN-BOTTOM	*	*
14	620188	HINGE-CABINET/UPPER LH/LOWER RH	*	*
NS	61114600	HINGE PIN-TOP	*	*
NS	621426	BREAKER TRIM/SEAL ASSY-BOTTOM TRIM	*	*
NS	61409622	CLIP-SHELF	*	*

NS = NOT SHOWN

CABINET ASSEMBLY (REAR VIEW) - N500 SERIES



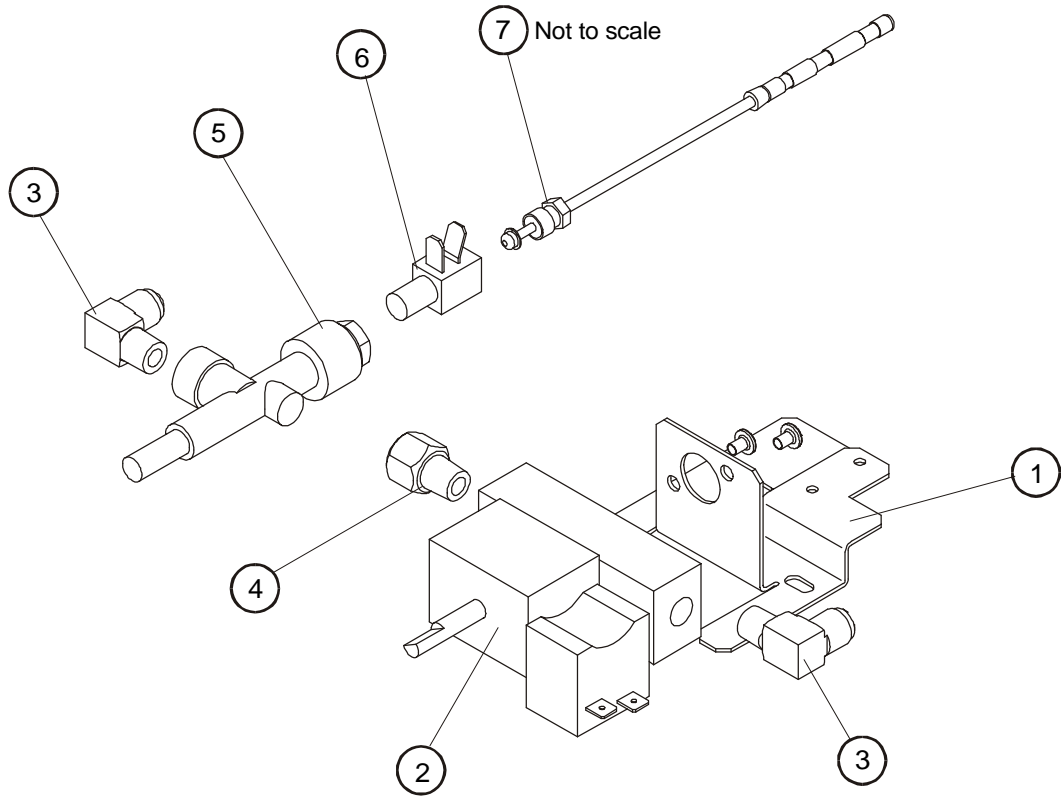
ART01568

CABINET ASSEMBLY (FRONT VIEW) - N500 SERIES

NO.	PART #	DESCRIPTION	N500	N500.3
1	620222	BURNER TUBE	*	*
2	61686823	FINS	*	*
NS	61728722	CLIP-FIN	*	*
3	61695022	CAP-HEAT DEFLECTOR	*	*
4	632299	NSC SYSTEM PACK-COOLING UNIT (BACKER HEATER)	*	*
5	620884	HEATER-DC/EG3		*
	630810	HEATER-DC/EG3 (FOR COOLING UNIT WITH BACKER HEATER)		*
6	61562522	HEATER-AC/200W/110VAC	*	*
	630804	HEATER-AC/200W/110VAC (FOR COOLING UNIT WITH BACKER HEATER)	*	*
7	61712637	COVER ASSY-BURNER BOX	*	*
8	61710922	DRIP CUP-REAR	*	*
NS	622393	DRAIN HOSE ASSY	*	*
9	61692322	MANUAL SHUT OFF VALVE ASSY	*	*
NS	61694022	BRACKET-MOUNTING/MANUAL SHUT OFF VALVE	*	*
10	619177	COVER-TERMINAL BLOCK	*	*
11	617918	CORD-AC POWER	*	*
12	620868	TERMINAL BLOCK	*	*
13	620796	RELIGHTER	*	*
14	620224	INLET TUBE-GAS	*	*
NS	619119	BRACE-CORNER/CABINET/LH	*	*
NS	619124	BRACE-CORNER/CABINET/RH	*	*
NS	61583322	FUSE COVER	*	*
NS	61584222	FUSE HOLDER	*	*
NS	621228	PLATE-FUSE HOLDER	*	*
NS	621227	FUSE-25 AMP/EG3		*
NS	61654622	FUSE-3 AMP/32V OR LESS	*	*
NS	620197	WIRE HARNESS	*	*
NS	621220	WIRE-12"/BLACK/CONTROL	*	*
NS	621225	WIRE-12"/ORANGE/CONTROL	*	*
NS	621219	WIRE-14"/WHITE/CONTROL/EG3		*
NS	620233	WIRE-61"/YELLOW/CONTROL		*
NS	621221	WIRE-67"/WHITE/CONTROL/EG3		*
NS	621237	SPACER-CONDENSER/FOR COOLING UNIT	*	*
NS	621413	CABLE TIE-HIGH TEMPERATURE	*	*
NS	61417922	CABLE TIE-NYLON	*	*
NS	61571822	CABLE TIE-NYLON	*	*
NS	619197	COVER-EDGE GUARD	*	*

NS = NOT SHOWN

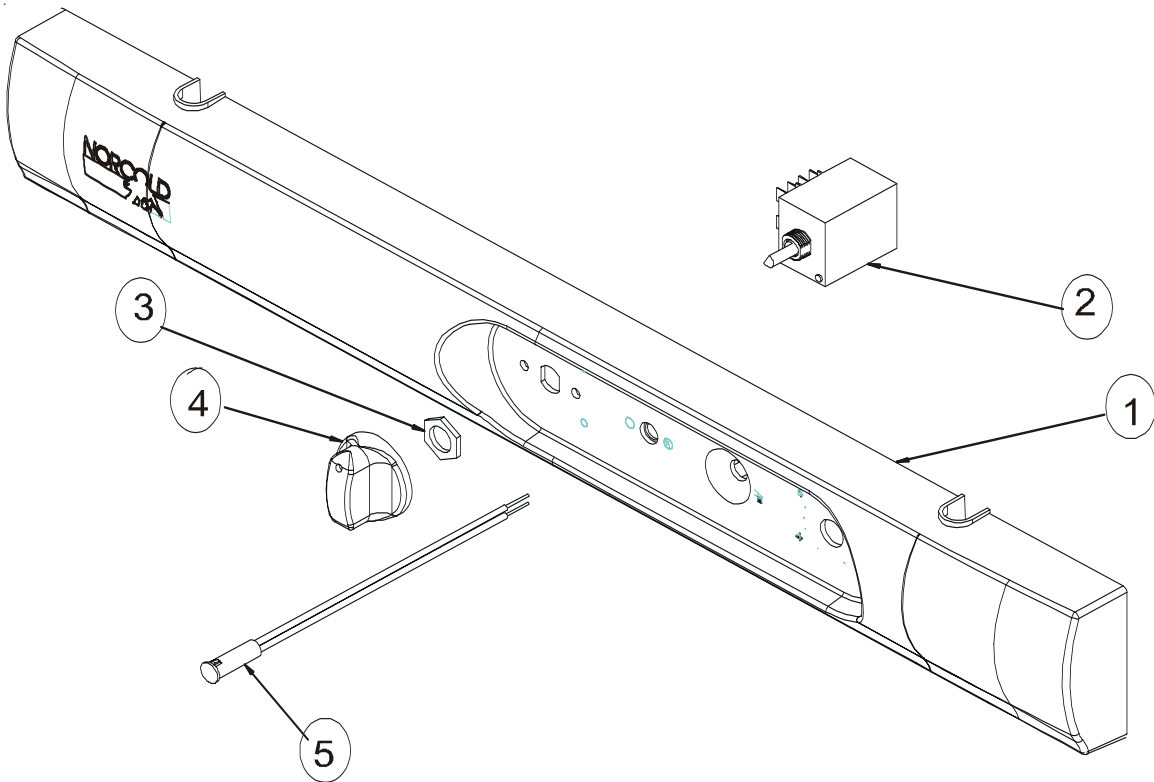
GAS CONTROL ASSEMBLY AREA - N500 SERIES



Art01336

NO.	PART #	DESCRIPTION	N500	N500.3
	620195	GAS CONTROL ASSY	*	*
1	617952	BRACKET-MOUNTING/THERMOSTAT/GAS VALVE	*	*
2	621298	GAS VALVE-THERMOSTAT CONTROL	*	*
3	61621622	BRASS ELBOW-UNION TUBE	*	*
4	619055	ADAPTOR-PIPE	*	*
5	622098	SAFETY VALVE	*	*
6	621737	INTERRUPTER	*	*
7	620424	THERMOCOUPLE	*	*

CONTROL PANEL ASSEMBLY AREA - N500 SERIES

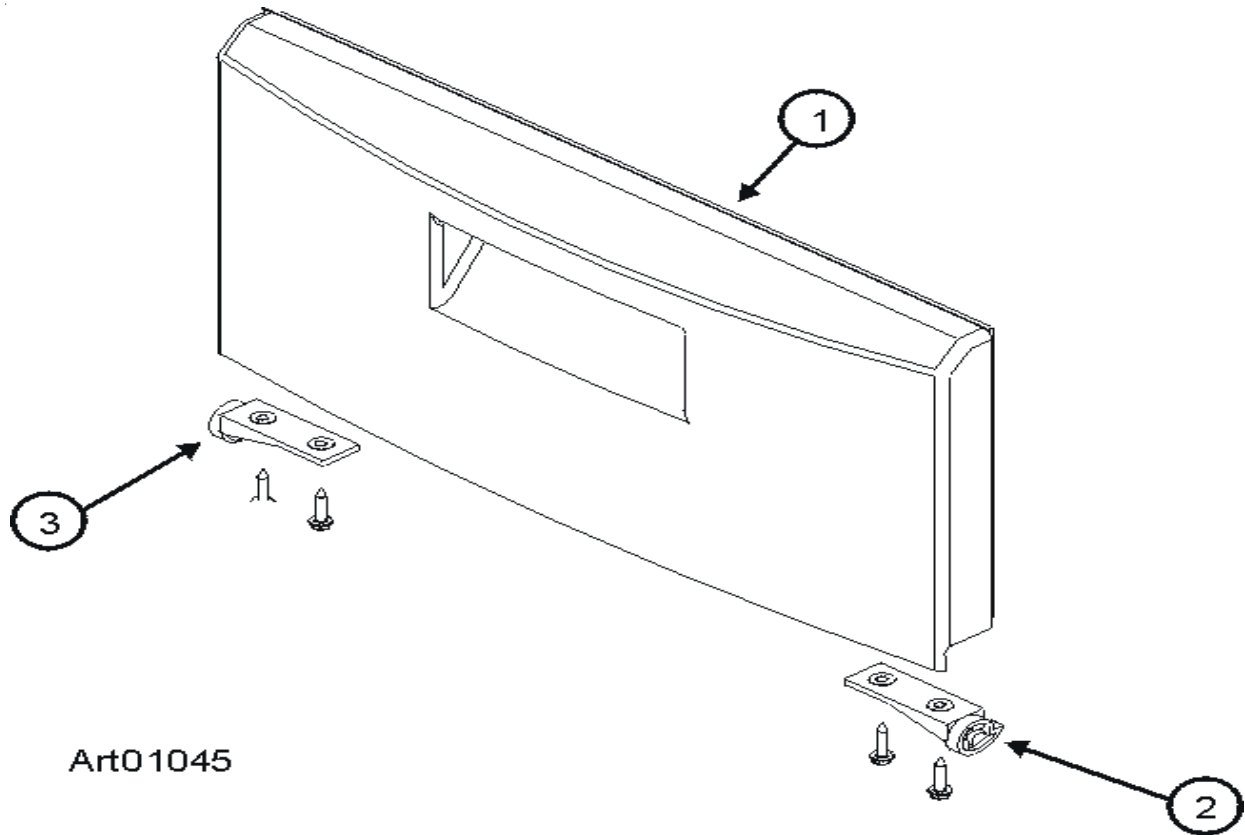


ART01569

NO.	PART #	DESCRIPTION	N500	N500.3
1	620202	CONTROL PANEL	*	
	620206	CONTROL PANEL		*
2	620863	SWITCH-SELECTOR	*	*
3	621308	NUT-ATTACHMENT	*	*
4	619070	KNOB-SELECTOR (SUBSTITUTE 629357 - WARM GRAY)	*	*
5	61609022	INDICATOR LIGHT-FLAME	*	*
NS	618040	CONNECTOR-.25"/FEMALE	*	*

NS = NOT SHOWN

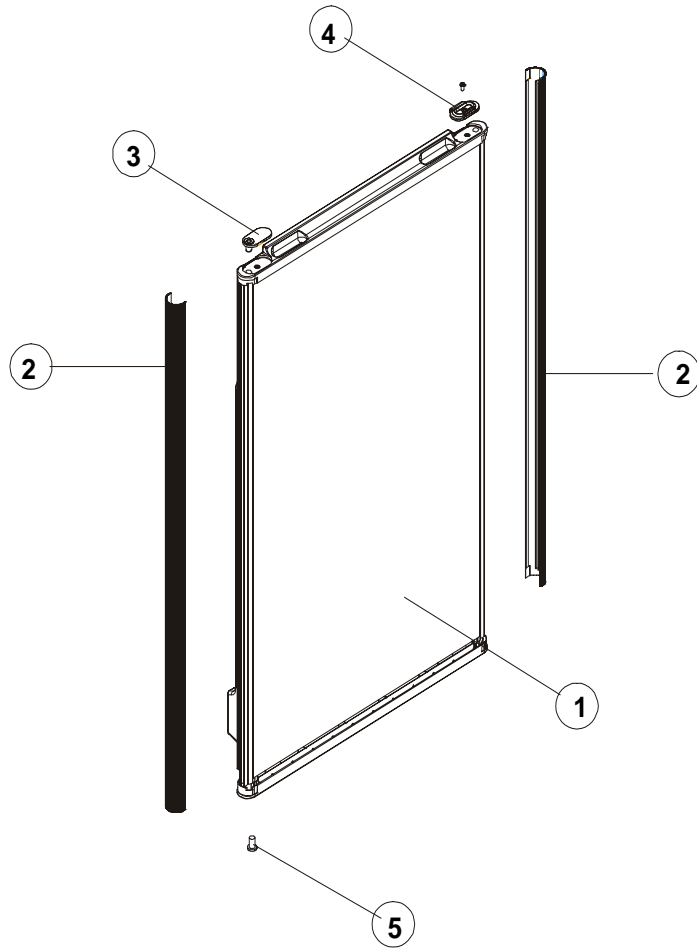
EVAPORATOR DOOR ASSEMBLY - N500 SERIES



Art01045

NO.	PART #	DESCRIPTION	N500	N500.3
1	619117	FREEZER DOOR ASSY	*	*
2	61632930	MOUNTING CLIP-RH/WHITE/EVAPORATOR DOOR	*	*
3	61633030	MOUNTING CLIP-LH/WHITE/EVAPORATOR DOOR	*	*

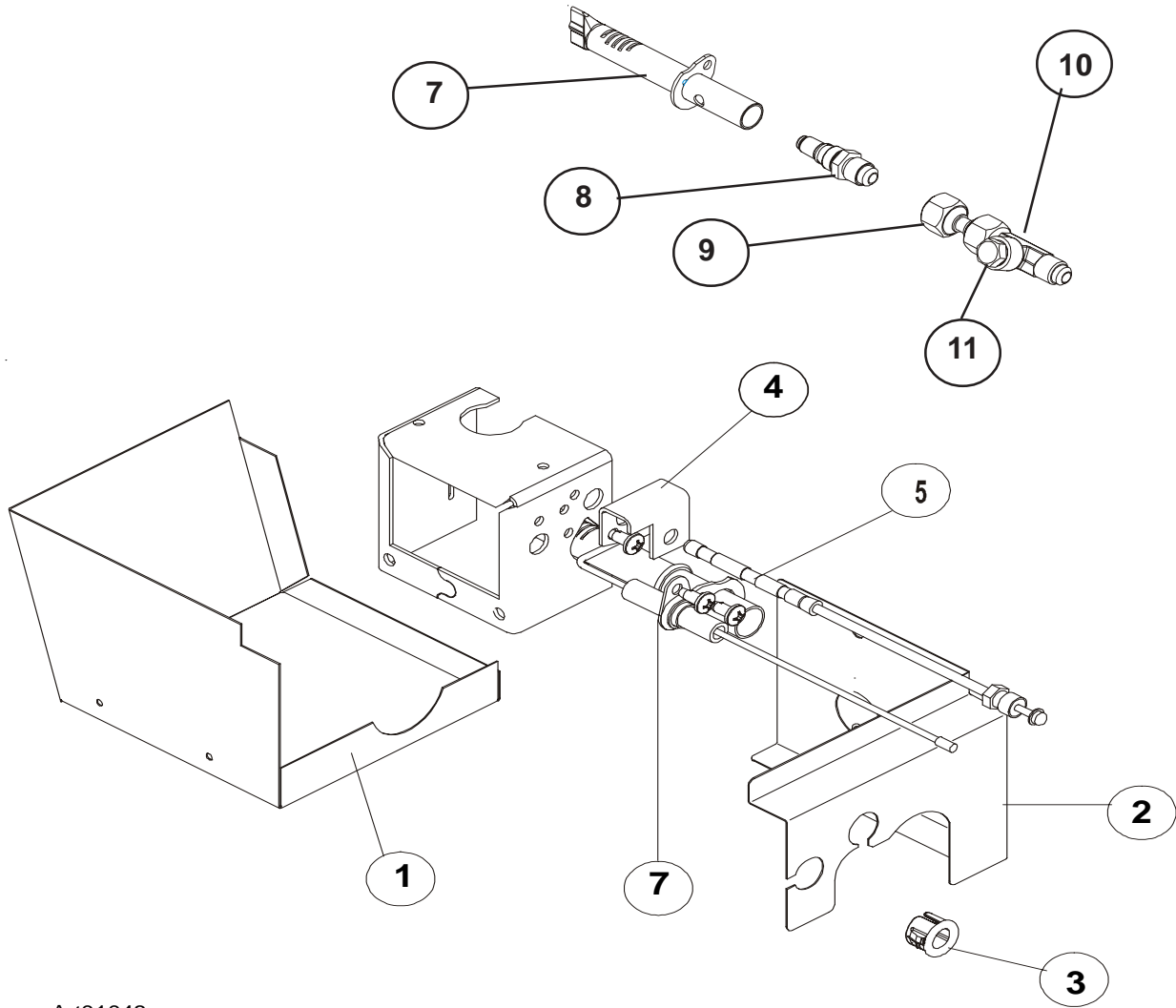
DOOR ASSEMBLY - N500 SERIES



ART01329

NO.	PART #	DESCRIPTION	N500	N500.3
1	620125	DOOR ASSY-CABINET	*	*
2	620130	PANEL RETAINER	*	*
3	619104	LATCH PLATE-DOOR	*	*
4	620200	PLATE-FILLER/DOOR ASSY	*	*
5	61742022	HINGE BUSHING	*	*
	618746	HINGE BUSHING	*	*

BURNER ASSEMBLY AREA - N500 SERIES



Art01048

NO.	PART #	DESCRIPTION	N500	N500.3
1	61695322	BASE-BURNER BOX	*	*
2	61712637	COVER ASSY-BURNER BOX	*	*
3	61606522	BUSHING-OPEN/CLOSED 1/2"	*	*
4	618448	BRACKET-THERMOCOUPLE	*	*
5	620424	THERMOCOUPLE	*	*
6	61692222	ELECTRODE-SPARK/SENSE/SINGLE ELECTRODE/0.25"	*	*
7	61705222	BURNER ASSY-5 SLOT (USE 621955)	*	*
8	620462	ORIFICE ADAPTER ASSY-LP14 (USE 621955)	*	*
	621955	KIT-BURNER/ORIFICE ADAPTER ASSY	*	*
9	621079	CONNECTOR-SWIVEL NUT (SERIAL NUMBER 783384 AND ABOVE)	*	*
10	621054	PRESSURE TAP (SERIAL # 783384 AND ABOVE)	*	*
11	61445322	PLUG-1/8"/FOR PRESSURE TAP	*	*