



# Installation Manual

For models N10DCX-10 cubic foot and N8DCX-8 cubic foot DC electric refrigerators  
The letter “X”, in the model numbers above stand for letters or numerals which means a  
refrigerator option.

**English**

NORCOLD, Inc.  
P.O. Box 4248  
Sidney, OH 45365-4248

Norcold Customer Support Dept.  
Telephone: 800-543-1219  
Fax: 937-497-3183  
Web Site: [www.norcold.com](http://www.norcold.com)

## Table of Contents

---

Safety Awareness .....	2
Safety Instructions .....	2
Assemble the Enclosure .....	3
Ventilation Requirements.....	3
Key Refrigerator Dimensions.....	4
Installation Options .....	5
Reverse the door swing .....	5
Install the Refrigerator .....	6
Connect the Electrical Components .....	7
Electrical current necessary .....	7
Controls .....	9

## Safety Awareness

---

Read this manual carefully and understand the contents before you install the refrigerator.

Be aware of possible safety hazards when you see the safety alert symbol on the refrigerator and in this manual. A signal word follows the safety alert symbol and identifies the danger of the hazard. Carefully read the descriptions of these signal words to fully know their meanings. They are for your safety.



This signal word means a hazard, which if ignored, can cause dangerous personal injury, death, or much property damage.



This signal word means a hazard, which if ignored, can cause personal injury or much property damage.

## Safety Instructions

---



- For installations which need an electric outlet that is energized by an external power source, the refrigerator must be electrically grounded as written in local codes or the National Electrical code, NFPA 70.
- Incorrect installation, adjustment, alteration, or maintenance of this refrigerator can cause personal injury, property damage, or both.
- Obey the instructions in the “Ventilation Requirements” section of this manual.
- Do not bypass or change the refrigerator’s electrical components or features.
- Protect all wiring from physical damage, vibration, and excessive heat.
- Do not spray liquids near electrical outlets, connections, or the refrigerator components. Many liquids are electrically conductive and can cause a shock hazard, electrical shorts, and in some cases fire.
- This appliance is intended to be used in household and similar applications such as recreational vehicles, boats, and semi trucks.
- To avoid a hazard due to instability of the appliance, it must be fixed in accordance with the instructions.
- A means for disconnection from the DC supply mains must be incorporated in the fixed wiring in accordance with the wiring rules.
- It is necessary to allow disconnection of the appliance from the supply after installation. This disconnection may be achieved by having the plug accessible or by incorporating a switch in the fixed wiring in accordance with the wiring rules.



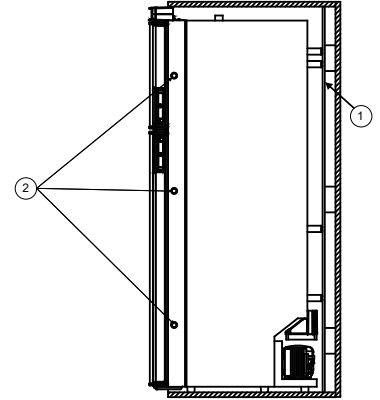
- The front and rear of the refrigerator have sharp edges and corners. To prevent cuts or abrasions when working on the refrigerator, use caution and wear cut resistant gloves.

## Assemble the Enclosure

---

Make sure that the enclosure is the correct size:

- For N10DC models – 59.88 – 60.01 inches high x 23.50 – 23.63 inches wide x 24.00 inches deep.
- For N8DC models -- 52.88--53.01 inches high x 23.50-23.63 inches wide x 24.00 inches deep.
- For enclosures deeper than 24 inches ensure that the refrigerator is inserted into the enclosure only to the depth of the breaker. This ensures that the door latches can be accessed, and the doors can be opened to the maximum extent without interference from the sides of the enclosure. (See ART02756)
- If the enclosure is deeper than 25 inches, the refrigerator's performance may be optimized by installing a wood, aluminum or galvanized sheet solid box baffle [1] in the rear of the enclosure to make the enclosure depth 24 inches.
- Make sure that the back of the solid box baffle is perpendicular to the bottom of the enclosure.
- Make sure that the solid box baffle is the full width and height of the inside of the enclosure.
- The enclosure width may vary, however the enclosure at the breaker mounting points [2] should be framed or shimmed to 23.50-23.63 inches wide. This is to ensure the refrigerator can be securely fastened to the enclosure without damage to the cabinet liner.



Make sure the floor is solid and level:

- The floor must be metal or a wood panel and extend the full width and depth of the enclosure.
- The floor must be able to support the weight of the refrigerator and its contents.

Make sure there are no adjacent heat sources such as a furnace vent, etc.

Make sure any exterior vents are blocked.

## Ventilation Requirements

---

This refrigerator is made for a built-in installation. Correct ventilation is necessary for the correct operation of the refrigerator and to increase the life of the refrigerator cooling system.

Ventilation allows the natural air flow that is necessary for good refrigeration. Cooler air comes in under the refrigerator, goes around the refrigerator coils where it removes the excess heat from the refrigerator components, and goes out through an upper exhaust vent. If this air flow is blocked or decreased, the refrigerator will not cool correctly.



The refrigerator has a built-in vent at the top and clearance at the bottom. Make sure that the flow of air through these vents are not blocked in any way. Blockage of air through these vents can cause:

- shortened life of the refrigerator cooling unit.
- poor cooling performance of the refrigerator.
- continuous operation of the refrigerator.
- fast battery discharge.
- void of the refrigerator warranty.

# Key Refrigerator Dimensions

These key refrigerator dimensions are for your reference as necessary (See Art02741).

Refrigerator cabinet width:  
23.31 in..... 1

Refrigerator cabinet height:  
N10DC 59.85 in..... 2  
N8DC 52.85 in..... 2

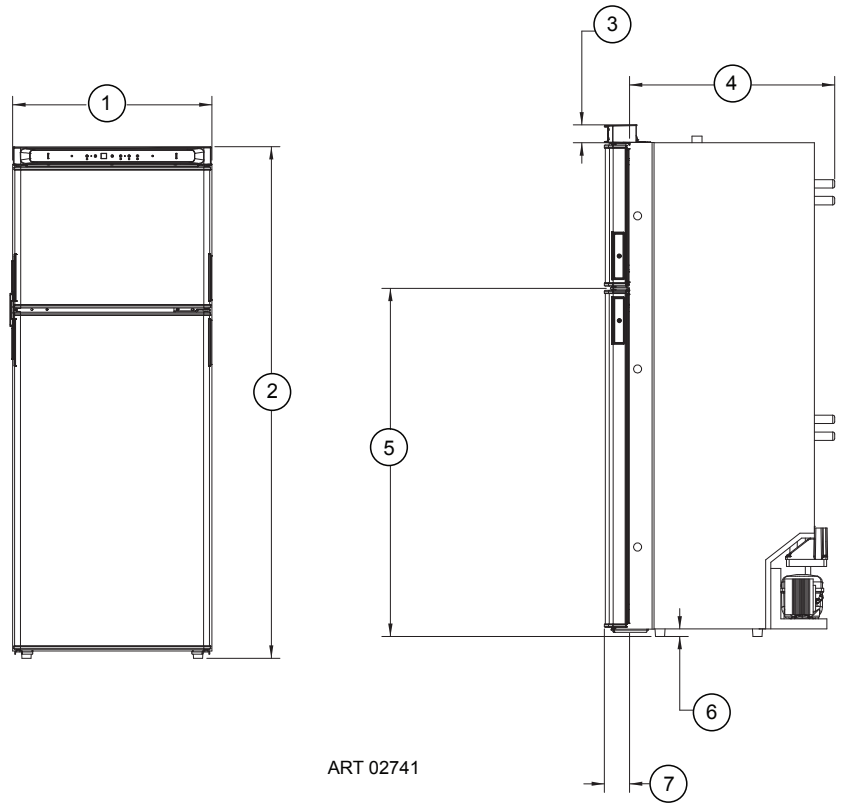
Refrigerator top to control top:  
2.10 in..... 3

Enclosure depth:  
24.00 in..... 4

Refrigerator bottom feet to middle handles:  
N10DC 40.74 in..... 5  
N8DC 33.74 in..... 5

Refrigerator bottom to bottom of feet:  
0.87 in..... 6

Enclosure front to door front:  
2.94 in..... 7

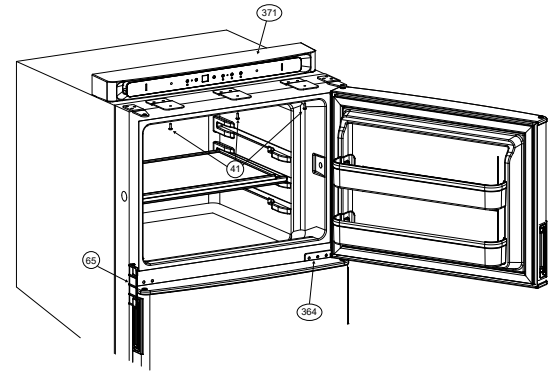


# Installation Options

## Reverse the door swing

This refrigerator has door hinges that allow you to change the direction that the door opens by moving the hinges to the opposite corner.

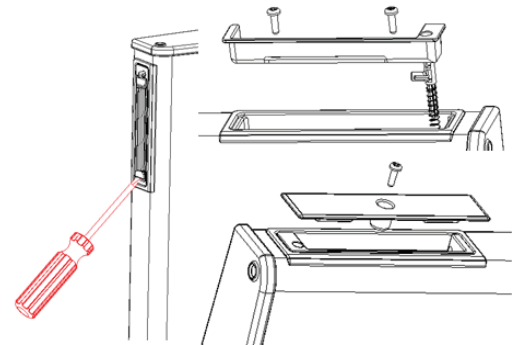
1. Remove the refrigerator from the enclosure, to allow access to the bottom hinges.
2. Remove the freezer and fresh food door (See Art02737):
  - Open the freezer door.
  - Remove the screws from the center hinge pin. [364]
  - Pull the doors away from the cabinet and lift the freezer door off the center hinge.
  - Remove the center hinge and remove the fresh food door.



ART 02737

3. Reverse cabinet door swing (See Art02737):
  - Remove the screws that attach the strike plate.
  - Reverse the strike plate [65] and put on the other side of the refrigerator cabinet.
  - Attach the strike plate [65] with the screws.
  - Use a flathead screw driver to remove the hinge pin and move it to the other side.

4. Change the position of the door handles. (See Art02738):
  - Using a flat head screw driver, pop the handle out of the housing of each door.
  - Remove 2 screws and handle housing, catch and spring from each door.
  - On the other side of the door, remove one screw and remove the pocket cover.
  - Move the lower handle to the upper door and the upper handle to the lower door.
  - Attach each door handle and pocket cover with the screws.



ART 02738

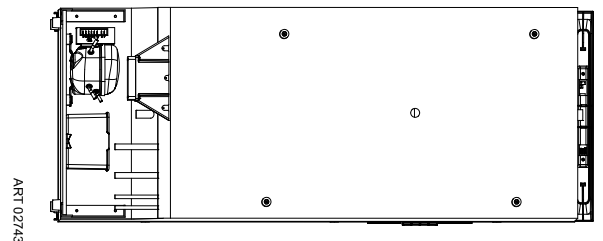
5. Lay the refrigerator on its side to access the bottom hinge. (See Art02743)

**NOTICE** The refrigerator should be laid on the side opposite to the compressor down.

- Move the bottom hinge to the new side.
- Return the refrigerator to a standing position.

6. Reinstall the doors

- Put the fresh food door on the bottom hinge pin.
- Put center hinge and hinge pin in the top of the fresh food door.
- Slide freezer door up into the top hinge pin.
- Pull both doors slightly away from the unit and place freezer door on center hinge pin.
- Attach center hinge with screws.



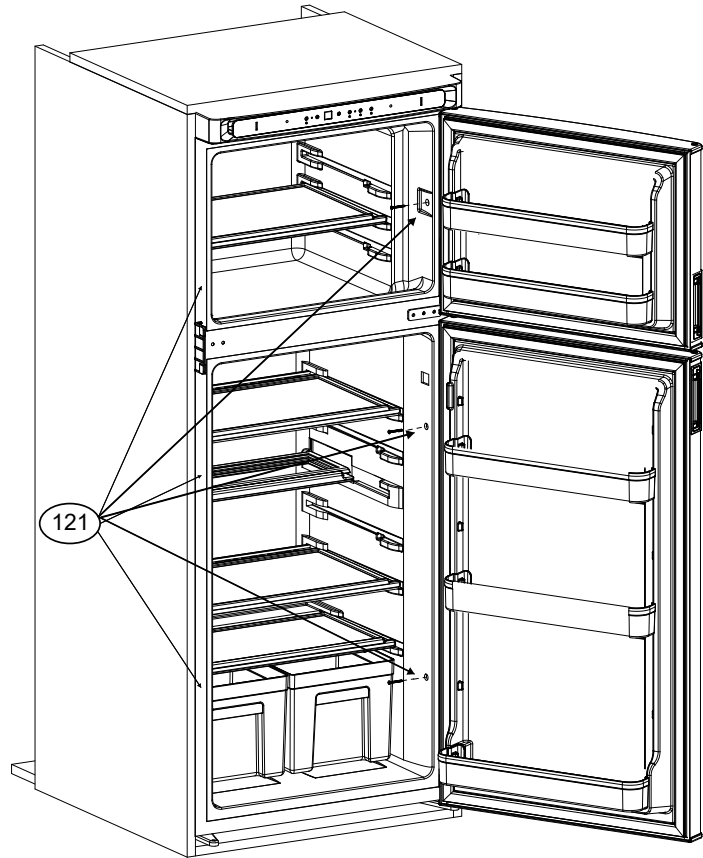
ART 02743

**NOTICE** To prevent damage to the threads of the hinge pins, turn the hinge pins by hand until tight and then tighten with a screw driver.

## Install the Refrigerator

1. Fasten the refrigerator into the enclosure. (See Art 02736):

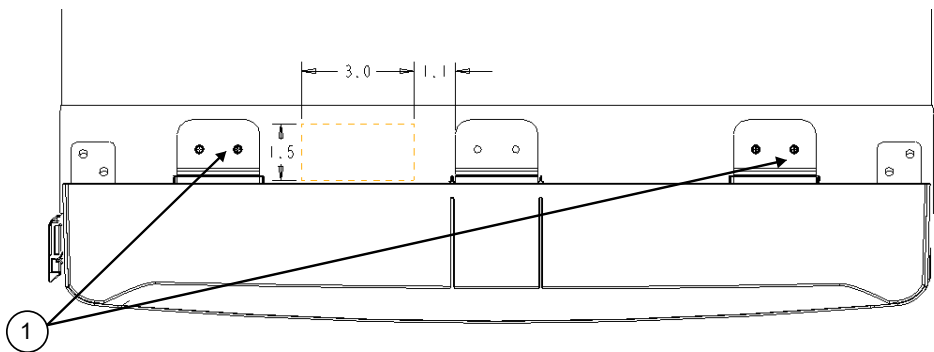
- Push the refrigerator fully into the enclosure opening.
- Install shims between enclosure wall and refrigerator to prevent excessive bowing of refrigerator cabinet walls when installing mounting screws.
- Install 6 provided mounting screws, 3 on each side.
- Install hole plugs to cover screw holes.



ART 02736

### Safety Strap Mounting (optional):

- One of the screws [1] fastening the control bracket may be removed and reinstalled to fasten the strap or cable. (See Art02757)
- Alternatively, a screw may be driven into the breaker in the specified 3 inch by 1.5 inch area shown..
- Any strap or cable should be routed away from the wiring on the top of the refrigerator.



ART 02757

# Connect the Electrical Components

## Electrical current necessary:

DC Operation 12 volts DC voltage (10.4 volts min. - 15.4 volts max.)

Make no changes to any of the electrical wiring supplied with the refrigerator. Any changes that you would make to the electrical wiring will void the warranty.

Connect the 12 volt DC supply:

To reduce the risk of electrical interference from other DC appliances and induction from voltage spikes:

- The refrigerator must have an independent filtered 12volt DC supply and not be on the same circuit as other DC appliances.
- Route the DC power supply wires including the fuses directly from the power source to the refrigerator using either Option A or Option B shown below.

### Option A

Use a battery in parallel, in-between the refrigerator and the battery charger or an electrically filtered power converter. A fuse or circuit breaker should be wired as close to the power supply as possible.



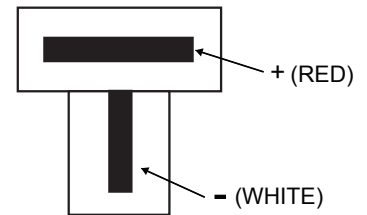
### Option B

Wire the refrigerator directly to the electrically filtered DC power converter. The power converter must have a maximum DC ripple voltage less than or equal to 250mV. A fuse or circuit breaker should be wired as close to the power supply as possible.



- To connect the DC power supply wires, it is recommended to install 1/4" insulated female spade terminals or Stocko connector W2041.100G to the connecting wire. (See Art 02740)

- Alternatively, the connector may be cut off and the connection can be wired via closed-end connectors (bell cap) or crimp connectors. If the factory connector is cut off, proper care should be taken by the OEM to assure that the connection is made properly. Norcold is not responsible for damage caused by improper capped or crimped connections.



- As the distance from the power source to the refrigerator increases, the correct AWG wire size also increases. Using longer than recommended wire lengths increases voltage drop and increases the risk that the refrigerator may not turn back on after a drop in DC voltage. The voltage required to start the refrigerator is initially 10.9 volts. In order to prevent completely draining the battery, the refrigerator will automatically shut-off when the DC supply voltage falls below 10.4 volts. The refrigerator will not restart until the DC supply voltages increases to 11.9 volts. The OEM should assure that the draw for all DC powered equipment does not drop below 10.9 volts when the refrigerator is attempting to power on.

ART 02740

## Connect the Electrical Components

---

### 1. Select Wire Size:



Assuming a minimum voltage of 12V is supplied by the vehicle battery, AWG wire size should be selected so that the voltage drop from the vehicle battery or power converter is no more than 0.3V.

#### - Recommend Wire Size :

N8DCX / N10DCX Cable Size Acceptance			
	AWG	Cable Length Feet Max	Cable Stand Count
Negative & Positive Cables of Same Length	10	0 - 15	≥ 19
	8	0 - 20	≥ 19
	8	0 - 25	≥ 133
	6	0 - 40	≥ 133
	6	0 - 45	≥ 266

- To accommodate connectors when #8 or #6 AWG wire is used, a smaller gauge wire may be spliced in.

- Longer than recommended lengths for each wire size may be used if the voltage drop from the power source is less than 0.3V.



Using longer than recommended lengths increases the risk that the refrigerator may not turn back on after drop in supply voltage; especially when power is supplied from a battery.

2. To protect the DC power supply wiring, install a fuse or circuit breaker in the positive (+) DC power supply wire as close to the battery or power source as possible. The fuse should be sized according to the ANSI/RVIA Standard for Low Voltage Systems in Conversion and Recreational Vehicles.

- There is a 15 amp automotive fuse in the DC circuit at the refrigerator power supply leads to protect the controls of the refrigerator. This amp should only be replaced with a 15 amp automotive fuse.

### 3. Connect the DC power supply wires.



If the DC power supply leads are attached incorrectly, the refrigerator will not operate.

- Connect the positive (+) DC power supply lead to the red wire [99] of the refrigerator.

- Connect the negative (-) DC power supply lead to the black wire [224] of the refrigerator.

- Make sure that:

- Each DC power supply lead is attached to the correct polarity wire of the refrigerator power supply.

- The chassis or the vehicle frame is not used as one of the conductors.

- The DC power supply wires including the fuses are routed directly from the power source to the refrigerator.

- The wire connections must be clean, tight and free of corrosion. If any of these items are not correct, a voltage drop to the refrigerator will occur.



The voltage drop will decrease the cooling performance of the refrigerator. Disconnect the positive (+) DC power supply wire from the battery before you do a "fast charge" of the battery. Failure to disconnect the positive (+) power supply wire from the battery during a "fast charge" can cause damage to the refrigerator or other DC appliances.



Allow the refrigerator to stand upright for 30 minutes before being powered on.



### Controls:

-Touch and release the ON/OFF [1] button to turn the refrigerator on.(ART02735)

- If the indicator light, below the button, glows solid blue, it means the refrigerator is operating correctly.

### NOTICE

*The freezer compartment and cabinet work independent of each other and both must be adjusted to their desired temperature setting.*

- Touch the FREEZER COMPARTMENT [5] button to set the compartment temperature setting.

-Using the + [4] or – [2] buttons adjust the temperature setting.

- The mode [3] will display the temperature setting
- 0 is off
- 1 is the warmest setting
- 5 is the coldest setting

- Touch the CABINET COMPARTMENT [6] button to set the compartment temperature setting.

- Using the + [4] or – [2] buttons adjust the temperature setting.

- The mode [3] will display the temperature setting
- 0 is off
- 1 is the warmest setting
- 5 is the coldest setting

- Press any button to return the control to activate mode, the mode [3] will illuminate. The display will return to standby mode after 5 seconds.

-Touch the NIGHT MODE [7] button to set the refrigerator to night mode.

- Night mode will turn off automatically after 8 hours or if you push the night mode button again to turn the blue indicator light off.

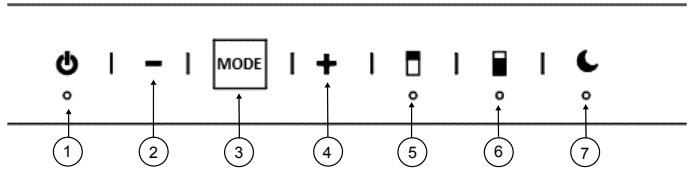
- These 8 hours can be changed by pressing the night mode button for 3 seconds. After the 3 seconds, the default 8 hour will be shown in the display . To change this setting, press the “+” or “-”, then press night mode button to make the setting go into effect.

- The new setting is archived in the memory until it is changed.

### Shut down:

- To shut down the refrigerator, touch and hold the ON/OFF button [1] for 5 seconds and release

- Once the refrigerator is turned OFF there is a 5 minute wait cycle before the refrigerator can be turned ON. The refrigerator will not turn on again until the 5 minute wait is up.



ART 02735



**Do not operate the refrigerator when the ambient temperature is higher than 140° F operation above the recommended ambient temperature can cause permanent damage to the compressor. Operation when the ambient temperature is higher than 110°F can result in poor cooling performance.**



# Manuel d'installation

**Pour les modèles N10DCX-10 pieds cubes et N8DCX-8 pieds cubes DC**  
**La lettre « X », dans les numéros de modèle ci-dessus, représente des lettres**  
**ou chiffres correspondant à une option de réfrigérateur.**

**Français**

NORCOLD, Inc.  
P.O. Box 4248  
Sidney, OH 45365-4248

Service après-vente Norcold  
Téléphone : 800-543-1219  
Télécopieur : 937-497-3183  
Site Web : [www.norcold.com](http://www.norcold.com)

Réf. 640136G (5/11/2022)

## Table des matières

---

Signalisation de la sécurité.....	2
Consignes de sécurité.....	2
Assemblage de l'enceinte.....	3
Consignes relatives à la ventilation.....	3
Dimensions importantes du réfrigérateur.....	4
Options d'installation.....	5
Inversion de l'oscillation de la porte.....	5
Installation du réfrigérateur.....	6
Raccordement des composants électriques.....	7
Courant électrique nécessaire.....	7
Commandes.....	8

## Signalisation de la sécurité

---

Lire soigneusement ce manuel et en assimiler le contenu avant d'installer le réfrigérateur.

Prendre conscience des risques pour la sécurité signalés par le symbole de mise en garde sur le réfrigérateur et dans ce manuel. Le symbole d'alerte de sécurité est suivi d'un terme précisant la nature du risque en question. Lire soigneusement la description de ces termes de signalement pour apprendre à les différencier. C'est une question de sécurité personnelle.



**Ce terme de signalement indique un danger qui, s'il n'est pas pris en compte, peut causer une blessure grave, la mort ou d'importants dégâts matériels.**



**Ce terme de signalement indique un danger qui, s'il n'est pas pris en compte, peut causer une blessure ou des dégâts matériels.**

## Consignes de sécurité

---



- Pour les installations nécessitant une prise électrique recevant le courant d'une source d'alimentation externe, le réfrigérateur doit faire l'objet d'une mise à la terre électrique conforme aux codes locaux ou à la norme NEC NFPA 70.
- Une faute d'installation, de réglage, de modification ou d'entretien de ce réfrigérateur peut causer des préjudices corporels et (ou) matériels.
- Observer les consignes de la section « Consignes relatives à la ventilation » de ce manuel.
- Ne pas contourner ou modifier les composants ou fonctions électriques du réfrigérateur.
- Protéger le câblage contre les dommages matériels, vibrations et excès de chaleur.
- Ne pas vaporiser de liquides près des prises électriques, des raccords ou des pièces du réfrigérateur. Nombre de liquides sont conducteurs et peuvent poser des risques de décharge électrique, de court-circuit, voire même d'incendie.
- Cet appareil est prévu pour une utilisation ménagère et dans des applications similaires, par exemple véhicules de loisir, bateaux et poids lourds.
- Pour éviter tout risque causé par l'instabilité de l'appareil, il faut le fixer conformément aux instructions.
- Il faut incorporer un moyen de débranchement de l'alimentation secteur CC dans le câblage fixe conformément aux règles de câblage.
- Il est nécessaire de permettre le débranchement de l'appareil de l'alimentation après l'installation. Ce débranchement peut se faire en rendant la fiche accessible ou en incorporant un interrupteur dans le câblage fixe conformément aux règles de câblage.

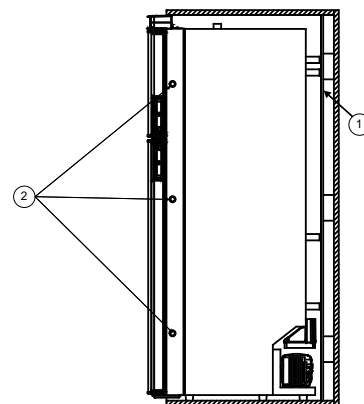


- L'avant et l'arrière du réfrigérateur présentent des arêtes vives et des angles coupants. Pour éviter de se couper ou de s'écorcher lors du travail sur le réfrigérateur, faire attention et porter des gants résistant aux coupures.

## Assemblage de l'enceinte

S'assurer que l'enceinte est de taille appropriée :

- Pour les modèles N10DC, elle doit être de 59,88 à 60,01 pouces de hauteur x 23,50 à 23,63 pouces de largeur x 24,00 pouces de profondeur.
- Pour les modèles N8DC - 52,88 à 53,01 pouces de hauteur x 23,50 à 23,63 pouces de largeur x 24,00 pouces de profondeur.
- Pour les enceintes de plus de 24 pouces de profondeur, veiller à n'insérer le réfrigérateur dans l'enceinte que jusqu'à la profondeur de la zone de montage. Les loquets des portes restent ainsi accessibles et les portes peuvent être ouvertes au maximum sans gêne des côtés de l'enceinte. (Voir ART 02756)
- Si la profondeur de l'enceinte est de plus de 25 pouces, les performances du réfrigérateur peuvent être optimisées en installant un déflecteur en forme de boîte pleine en bois, en aluminium ou en tôle galvanisée [1] à l'arrière de l'enceinte pour ramener sa profondeur à 24 pouces.
- Veiller à ce que l'arrière du déflecteur en forme de boîte pleine soit perpendiculaire au bas de l'enceinte.
- Veiller à ce que le déflecteur en forme de boîte pleine fasse toute la largeur et toute la hauteur de l'intérieur de l'enceinte.
- La largeur du boîtier peut varier, mais le boîtier aux points de montage du disjoncteur [2] doit être encadré ou calé à 23,50-23,63 pouces de large. C'est pour s'assurer que le réfrigérateur peut être solidement fixé au boîtier sans endommager le revêtement de l'armoire.



ART 02756

Vérifier que le plancher est solide et horizontal :

- Il doit s'agir d'un plancher métallique ou d'un panneau en bois s'étendant au moins sur toute la largeur et toute la profondeur de l'enceinte.
- Le plancher doit pouvoir supporter le poids du réfrigérateur et de son contenu.

S'assurer qu'il n'y a pas de sources de chaleur adjacentes, par exemple une bouche de ventilation de chauffage.

S'assurer que tous les événements extérieurs sont obstrués.

## Consignes relatives à la ventilation

**Ce réfrigérateur est conçu pour être encastré. Une ventilation suffisante est nécessaire au fonctionnement correct du réfrigérateur et à la grande longévité de son système frigorifique.**

La ventilation permet l'écoulement d'air naturel requis pour une bonne réfrigération. L'air froid entre par le dessous du réfrigérateur, il traverse les serpentins du réfrigérateur pour éliminer l'excédent de chaleur des pièces du réfrigérateur et il sort par une bouche d'échappement supérieure. Si ce flux d'air est obstrué ou restreint, le réfrigérateur ne fera pas son travail comme il faut.



**Le réfrigérateur est muni, en haut et en bas, d'une bouche de ventilation incorporée. S'assurer que le passage de l'air dans ces bouches de ventilation n'est absolument pas perturbé. L'obstruction de l'écoulement d'air par ces bouches peut avoir les conséquences suivantes :**

- durée utile raccourcie du frigorifère
- mauvaises performances de refroidissement
- fonctionnement en continu du réfrigérateur
- décharge prématurée de la batterie
- résiliation de la garantie du réfrigérateur

## Dimensions importantes du réfrigérateur

Ces dimensions importantes du réfrigérateur sont données à titre de référence en cas de besoin (voir Art 02741).

Largeur de la caisse du réfrigérateur :  
23,31 po ..... 1

Hauteur de la caisse du réfrigérateur :  
N10DC 59,85 po..... 2  
N8DC 52.85 po.....2

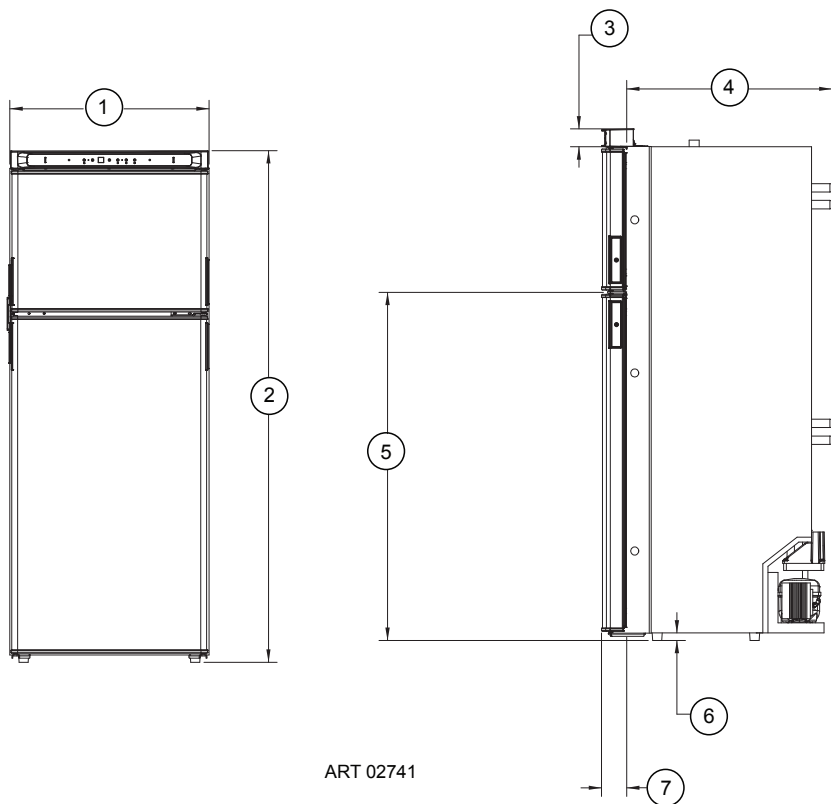
Haut du réfrigérateur jusqu'au  
haut de la commande :  
2,10 po ..... 3

Profondeur de l'enceinte :  
24,00 po ..... 4

Pieds inférieurs du réfrigérateur  
jusqu'aux poignées centrales :  
N10DC 40,74 po..... 5  
N8DC 33,74 po..... 5

Bas du réfrigérateur jusqu'en bas  
des pieds :  
0,87 po ..... 6

Avant de l'enceinte jusqu'à l'avant  
de la porte :  
2,94 po ..... 7

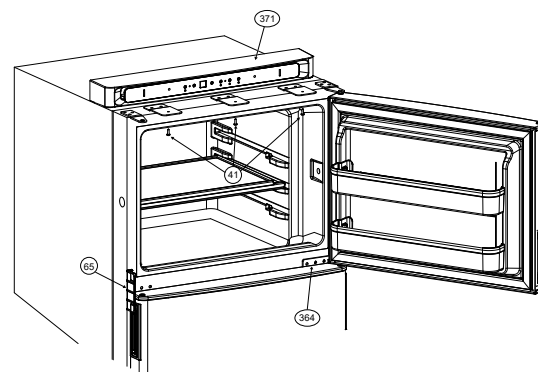


## Options d'installation

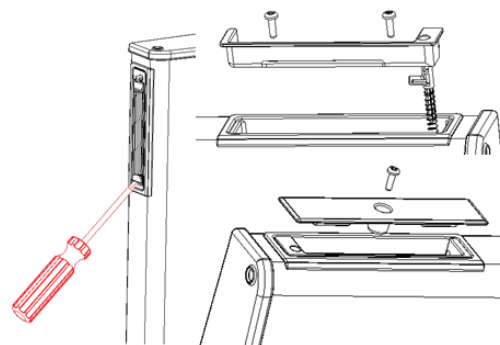
### Inversion de l'oscillation de la porte

Ce réfrigérateur est équipé de charnières de porte qui peuvent être placées dans l'angle opposé pour changer le sens d'ouverture de la porte.

1. Retirer le réfrigérateur de l'enceinte pour permettre l'accès aux charnières inférieures.
2. Retirer le congélateur et la porte des aliments frais (voir Art 02737) :
  - Ouvrir la porte du congélateur.
  - Retirer les vis de l'axe de la charnière centrale. [364]
  - Retirer les portes de l'armoire et soulever la porte du congélateur de la charnière centrale.
  - Retirer la charnière centrale et retirer la porte des aliments frais.
3. Inverser l'oscillation de la porte de l'armoire (voir Art 02737) :
  - Retirer les vis qui fixent la gâche.
  - Inverser la gâche [65] et la placer de l'autre côté de l'armoire du réfrigérateur.
  - Fixer la gâche [65] à l'aide des vis.
  - Utiliser un tournevis à tête plate pour retirer l'axe de charnière et le déplacer de l'autre côté.
4. Changer la position des poignées de porte (voir Art 02738) :
  - À l'aide d'un tournevis à tête plate, retirer la poignée du boîtier de chaque porte.
  - Retirer les 2 vis et le boîtier de la poignée, le loquet et le ressort de chaque porte.
  - De l'autre côté de la porte, retirer une vis et retirer le couvercle de la poche.
  - Placer la poignée inférieure sur la porte supérieure et la poignée supérieure sur la porte inférieure.
  - Fixer chaque poignée de porte et couvercle de poche à l'aide des vis.
5. Poser le réfrigérateur sur le côté pour accéder à la charnière inférieure (voir Art 02743).



ART 02737



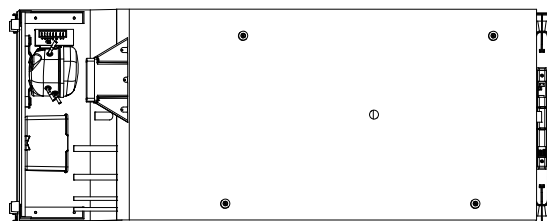
ART 02738



Le réfrigérateur doit être placé du côté opposé au compresseur vers le bas.

- Déplacez la charnière inférieure vers le nouveau côté.
  - Remettre le réfrigérateur en position debout.
6. Réinstallation des portes
    - Placer la porte des aliments frais sur l'axe de charnière inférieure.
    - Placer la charnière centrale et l'axe de charnière dans le haut de la porte des aliments frais.
    - Faire glisser la porte du congélateur vers le haut dans l'axe de la charnière supérieure.
    - Tirer légèrement les deux portes de l'appareil et placer la porte du congélateur sur l'axe de la charnière centrale.
    - Fixer la charnière centrale à l'aide des vis.

ART 02743

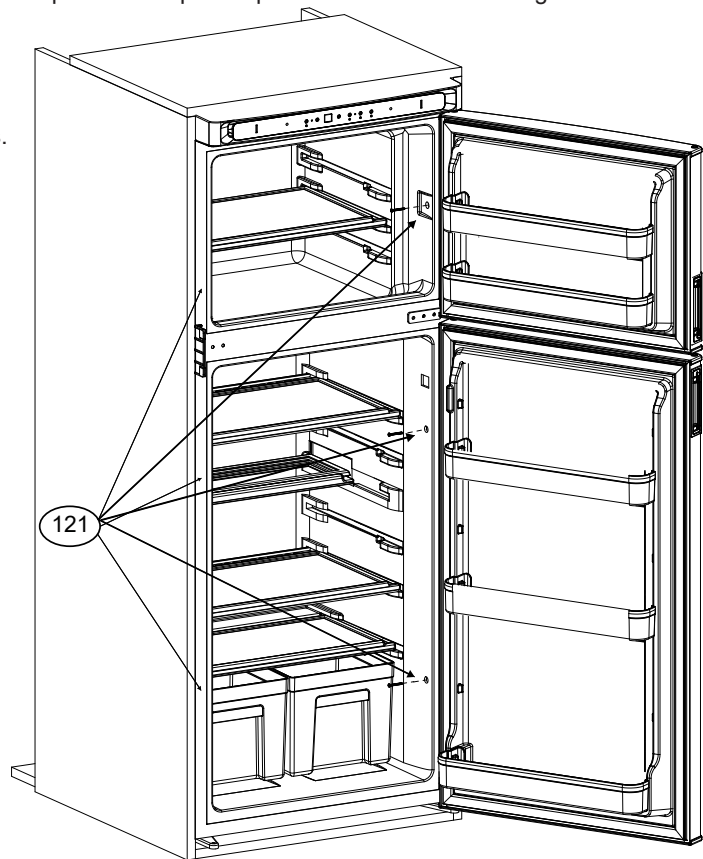


Afin d'éviter tout endommagement du filetage des axes de charnière, les serrer à fond à la main avant de les serrer davantage à l'aide d'un tournevis.

## Installation du réfrigérateur

1. Fixer le réfrigérateur dans l'enceinte (voir Art 02736) :

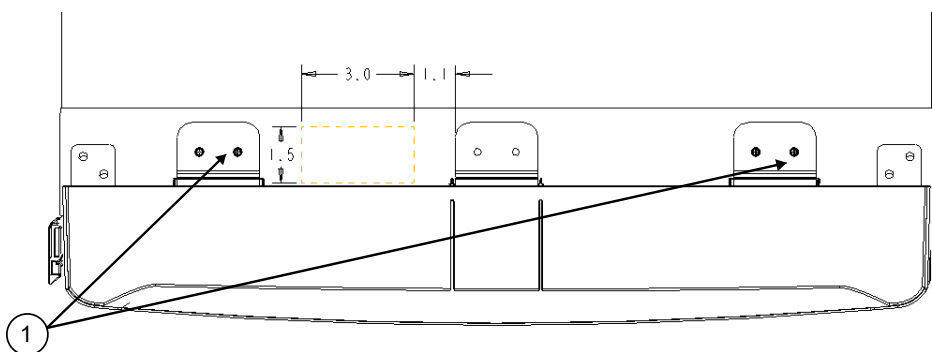
- Faire entrer complètement le réfrigérateur dans l'ouverture de l'enceinte.
- Installer des cales entre la paroi de l'enceinte et le réfrigérateur pour éviter que les parois de l'armoire du réfrigérateur ne s'inclinent excessivement lors de l'installation des vis de montage.
- Poser les 6 vis de montage fournies, 3 de chaque côté.
- Installer les bouchons de trous pour couvrir les trous de vis.



ART 02736

### Montage de la sangle de sécurité (facultatif) :

- Une des vis [1] de fixation du support de commande peut être retirée et réinstallée pour fixer la sangle ou le câble (voir Art 02757).
- Une vis peut également être insérée dans la zone de montage de 3 pouces sur 1,5 pouce spécifiée sur l'illustration.
- Acheminer toute sangle ou tout câble à l'écart du câblage situé sur le haut du réfrigérateur.



ART 02757

## Connexion des composants électriques

### Courant électrique nécessaire :

Fonctionnement CC 12 volts Tension CC (10,4 volts min. - 15,4 volts max.)

Ne jamais modifier le câblage électrique fourni avec le réfrigérateur. Toute modification du câblage électrique effectuée par le consommateur annulera la garantie.

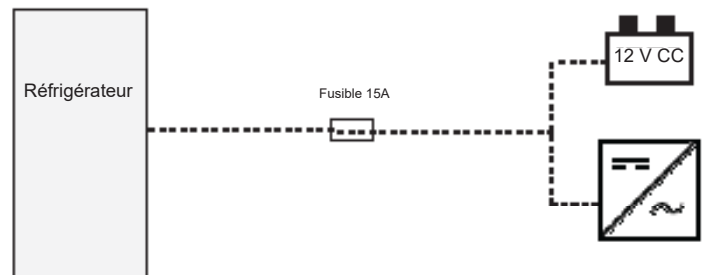
Branchement à l'alimentation 12 V CC :

Pour réduire les risques d'interférences électriques dues à d'autres appareils CC et d'induction due aux pointes de tension :

- Le réfrigérateur doit avoir une alimentation 12 V CC indépendante filtrée et ne pas être sur le même circuit que d'autres appareils CC.
- Acheminer les fils d'alimentation CC, avec les fusibles, directement de la source d'alimentation vers le réfrigérateur en utilisant l'option A ou l'option B indiquée ci-dessous.

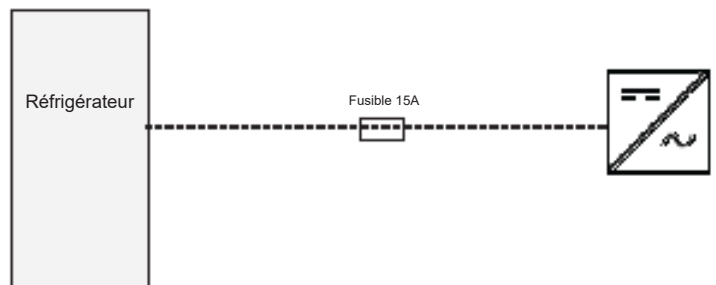
### Option A

Utiliser une batterie en parallèle, entre le réfrigérateur et le chargeur de batterie ou un convertisseur d'alimentation filtrée électriquement. Un fusible ou un disjoncteur doit être raccordé aussi près que possible de l'alimentation.



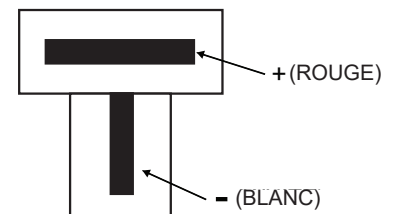
### Option B

Raccorder le réfrigérateur directement au convertisseur d'alimentation CC filtrée électriquement. La tension d'ondulation CC maximale du convertisseur d'alimentation doit être inférieure ou égale à 250 mV. Un fusible ou un disjoncteur doit être raccordé aussi près que possible de l'alimentation.



- Pour brancher les fils d'alimentation CC, il est recommandé d'installer des cosses femelles isolées de 1/4 po ou un connecteur Stocko W2041.100G sur le fil de connexion (voir Art 02740).

- Le connecteur peut également être coupé et la connexion être établie à l'aide de connecteurs fermés (capuchon cloche) ou de raccords à sertir. Si le connecteur d'usine est coupé, l'équipementier doit s'assurer que la connexion est effectuée correctement. Norcold décline toute responsabilité en cas de dommages causés par des connexions mal fermées ou serties.



ART 02740

- À mesure que la distance entre la source d'alimentation et le réfrigérateur augmente, le fil AWG correct la taille augmente également. L'utilisation de câbles plus longs que ceux recommandés augmente la chute de tension et augmente le risque que le réfrigérateur ne se rallume pas après une chute de tension CC. La tension requise pour démarrer le réfrigérateur est initialement de 10,9 volts. Afin d'éviter de vider complètement la batterie, le réfrigérateur s'éteint automatiquement lorsque la tension d'alimentation CC tombe en dessous de 10,4 volts. Le réfrigérateur ne redémarrera pas tant que les tensions d'alimentation CC n'augmenteront pas à 11,9 volts. L'OEM doit s'assurer que la consommation de tous les équipements alimentés en courant continu ne descend pas en dessous de 10,9 volts lorsque le réfrigérateur tente de s'allumer.



## Connexion des composants électriques

1. Sélectionner le calibre de fil :



En supposant qu'une tension minimale de 12 V est fournie par la batterie du véhicule, sélectionner le calibre de fil de sorte que la chute de tension de la batterie du véhicule ou du convertisseur d'alimentation ne dépasse pas 0,3 V.

- Calibre de fil recommandé :

Acceptation de la taille du câble N8DCX / N10DCX			
câbles négatifs et positifs de même longueur	AWG	Longueur de câble max, pieds	nombre de brins de câble
	10	0 - 15	≥ 19
	8	0 - 20	≥ 19
	8	0 - 25	≥ 133
	6	0 - 40	≥ 133
6	0 - 45	≥ 266	

- Pour adapter les connecteurs lors de l'utilisation d'un fil de calibre 8 ou 6 AWG, un fil de calibre plus petit peut y être épiqué.

- Des fils plus longs que les longueurs recommandées pour chaque calibre de fil peuvent être utilisés si la chute de tension de la source d'alimentation est inférieure à 0,3V.



L'utilisation de fils plus longs que les longueurs recommandées augmente le risque que le réfrigérateur ne se remette pas en marche après une chute de tension d'alimentation, notamment lorsque l'alimentation est assurée par une batterie.

2. Pour protéger le câblage d'alimentation CC, installer un fusible ou un disjoncteur sur le fil d'alimentation CC positif (+) aussi près que possible de la batterie ou source d'alimentation. La puissance du fusible doit être définie conformément à la norme ANSI/RVIA Systèmes basse tension dans des véhicules récréatifs et aménagés.

- Un fusible automobile de 15 A est présent dans le circuit CC au niveau des fils d'alimentation du réfrigérateur pour protéger les commandes du réfrigérateur. Ce fusible ne doit être remplacé que par un fusible automobile de 15 A.

3. Brancher les fils d'alimentation CC.



Une mauvaise connexion des fils d'alimentation CC empêchera le fonctionnement du réfrigérateur.

- Brancher le fil d'alimentation CC positif (+) au fil rouge [99] du réfrigérateur.

- Brancher le fil d'alimentation CC négatif (-) au fil noir [224] du réfrigérateur.

- S'assurer que :

- Chaque fil d'alimentation CC est connecté au fil du bloc d'alimentation du réfrigérateur de polarité correspondante.

- Le châssis du réfrigérateur ou celui du véhicule n'est pas utilisé comme conducteur.

- Les fils d'alimentation CC, avec les fusibles, sont acheminés directement de la source d'alimentation au réfrigérateur.

- Les connexions de fils doivent être propres, serrées et exemptes de corrosion. Si l'un de ces éléments n'est pas correct, une chute de tension dans le réfrigérateur se produira.



**La chute de tension réduit les performances du réfrigérateur. Débrancher le fil positif (+) de l'alimentation CC de la batterie avant de procéder à une « charge rapide » de la batterie. Ne pas débrancher le fil d'alimentation positif (+) de la batterie pendant une « charge rapide » peut endommager le réfrigérateur ou d'autres appareils à courant continu.**



**Laisser le réfrigérateur debout pendant 30 minutes avant de le mettre en marche.**

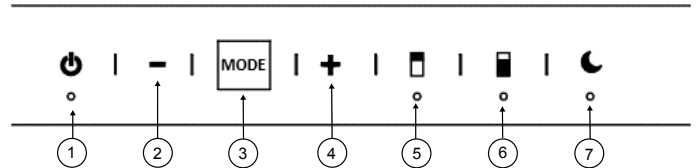
## Commandes :

- Appuyer sur le bouton MARCHE/ARRÊT [1] pour mettre le réfrigérateur en marche (ART 02735).
- Si le voyant lumineux, au-dessous du bouton, s'allume en bleu sans clignoter, cela signifie que le réfrigérateur fonctionne correctement.



*Le compartiment congélateur et l'armoire fonctionnent indépendamment l'un de l'autre et doivent tous deux être réglés à la température souhaitée.*

- Appuyer sur le bouton du COMPARTIMENT CONGÉLATEUR [5] pour régler la température du compartiment.
- Utiliser les boutons + [4] ou – [2] pour régler la température.
  - Le mode [3] affiche le réglage de la température
  - 0 est désactivé
  - 1 est le réglage le plus chaud
  - 5 est le réglage le plus froid



ART 02735

- Appuyer sur le bouton de l'ARMOIRE [6] pour régler la température de l'armoire.
- Utiliser les boutons + [4] ou – [2] pour régler la température.
  - Le mode [3] affiche le réglage de la température
  - 0 est désactivé
  - 1 est le réglage le plus chaud
  - 5 est le réglage le plus froid
- Appuyer sur n'importe quel bouton pour retourner la commande et activer le mode, le mode [3] s'allume. L'affichage repasse en mode veille au bout de 5 secondes.
- Appuyer sur le bouton de MODE NUIT [7] pour mettre le réfrigérateur en mode nuit.
- Le mode nuit s'éteint automatiquement après 8 heures ou si l'on appuie de nouveau sur le bouton de mode nuit pour éteindre le voyant bleu.
- Ces 8 heures peuvent être modifiées en appuyant sur le bouton de mode nuit pendant 3 secondes. Après les 3 secondes, les 8 heures par défaut s'affichent à l'écran. Pour modifier ce réglage, appuyer sur les touches « + » ou « - », puis sur le bouton de mode nuit pour appliquer le réglage.
- Le nouveau réglage est archivé dans la mémoire jusqu'à ce qu'il soit modifié.

## Mise à l'arrêt :

- Pour éteindre le réfrigérateur, appuyer sur le bouton MARCHE/ARRÊT [1] et le maintenir enfoncé pendant 5 secondes et relâcher.
- Une fois le réfrigérateur éteint, attendre 5 minutes avant de pouvoir le remettre en marche. Le réfrigérateur ne se rallume pas avant la fin des 5 minutes.



**Ne pas faire fonctionner le réfrigérateur lorsque la température ambiante est supérieure à 140 °F, car cela pourrait endommager le compresseur de façon permanente. Toute utilisation lorsque la température ambiante est supérieure à 110 °F peut entraîner de mauvaises performances de refroidissement.**